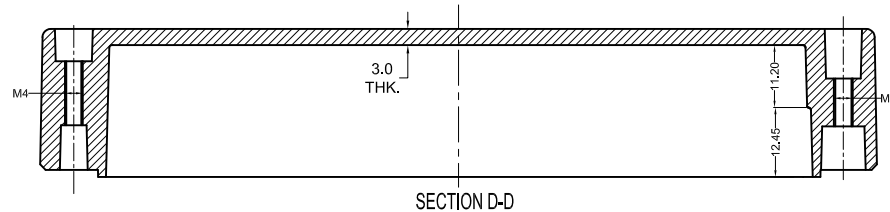
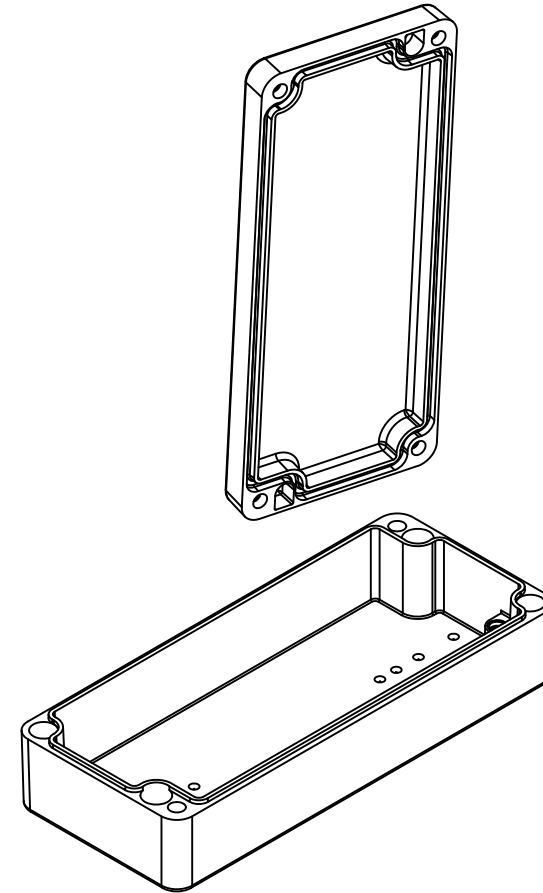
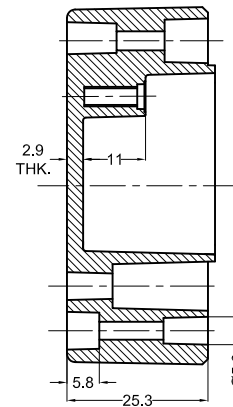
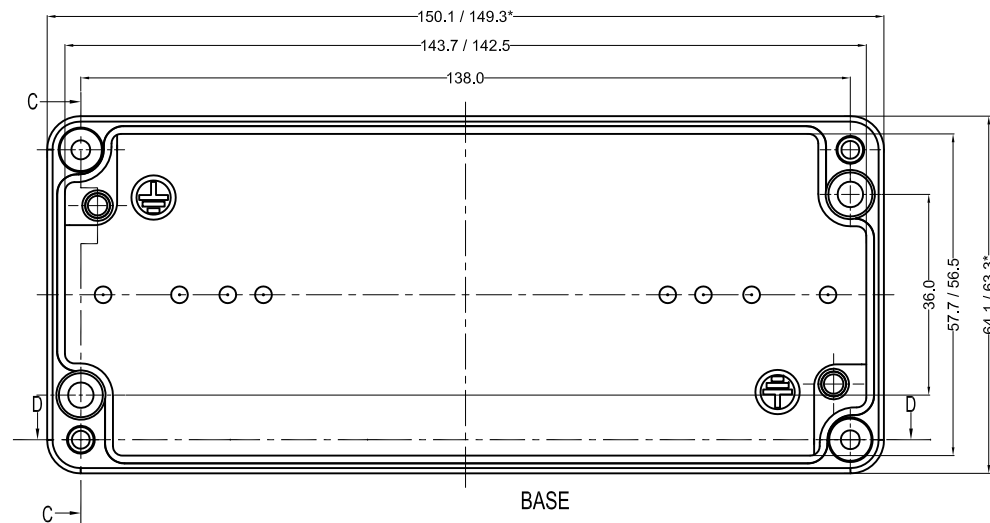
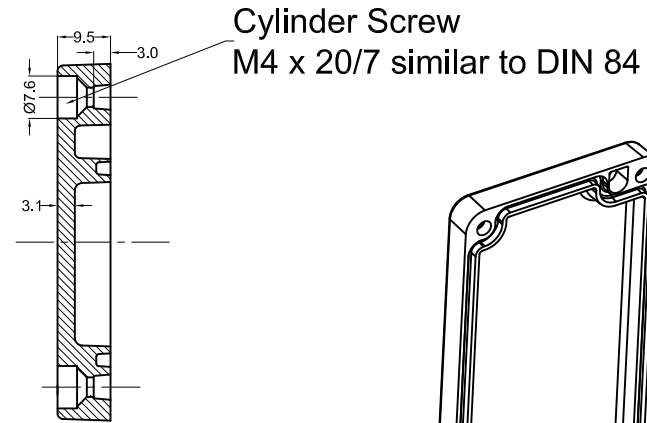
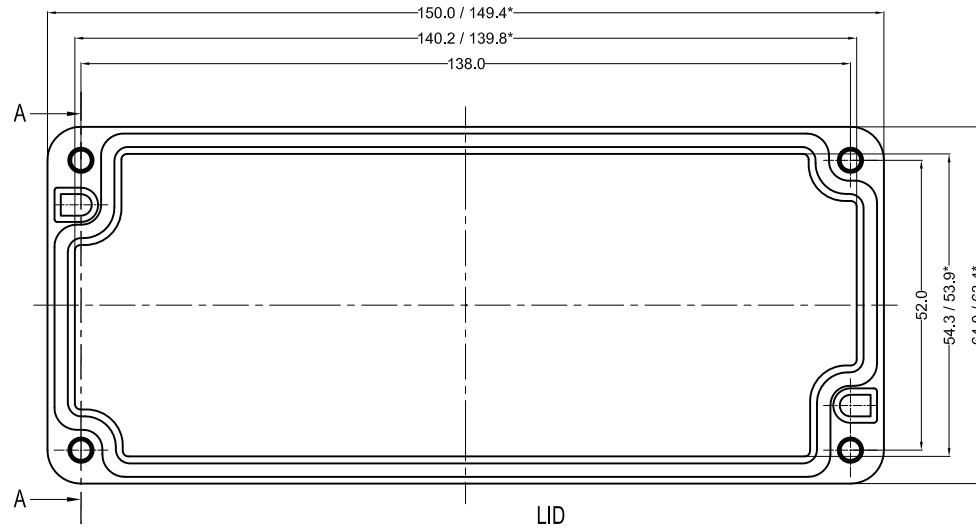
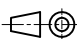


\* = Conical form tapering downward.  
 Untoleranced dimensions per GTA 13/5 - DIN 1688



QUANTITY 1	MATERIAL :- <b>AISI12 DIN230</b>	MACH.NAME -	DATE 08-06-12	SIGN MANOJ	NAME DRAWN
 TOLERANCE ±0.2 DIMENSIONS ±0.2 HOLES ±1.0° ANGLES	WEIGHT: - FINISH: NATURAL	TITLE :- JUNCTION BOX 150 x 64 x 34	08-06-12	PAVAN	CHECKED
				S.D.	APPROVED
		SCALE	PARTNO. 0		
		REV	DRG. NO. 0		
		<b>Raychem RPG (P) Limited</b> Ceat Mahal Annexe, Dr. Annie Besant Road, Worli, Mumbai 400030 Web : <a href="http://www.raychemrpg.com">www.raychemrpg.com</a>			
		<b>AJB-1506434</b>			