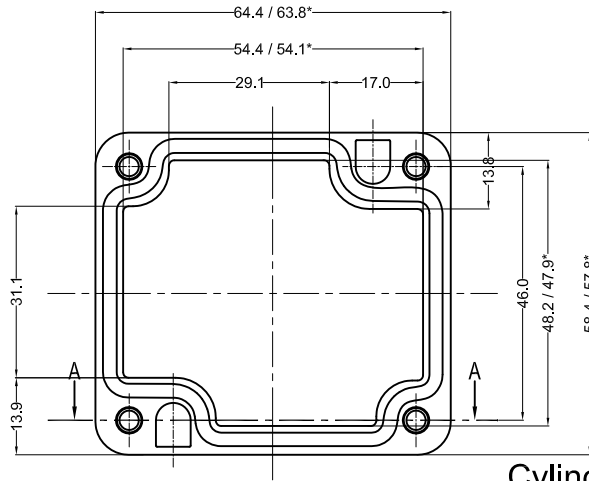
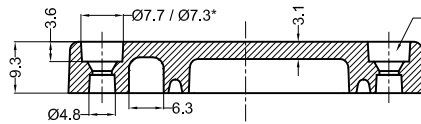


* = Conical form tapering downward.
 Untoleranced dimensions per GTA 13/5 DIN 1688

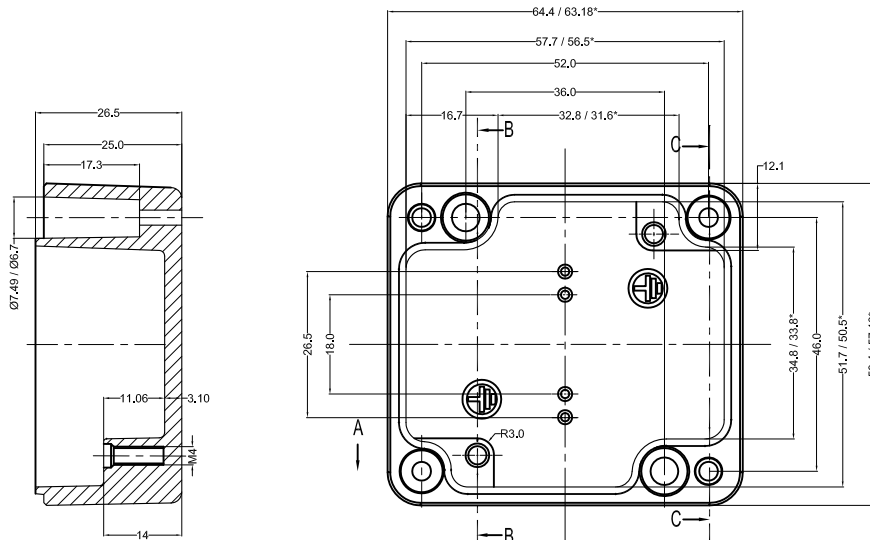
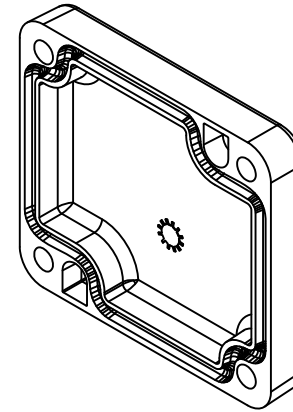


LID

Cylinder Screw
 M4 x 20/7 similar to DIN 84

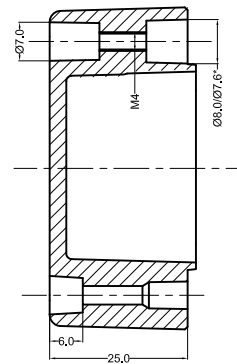


SECTION A-A

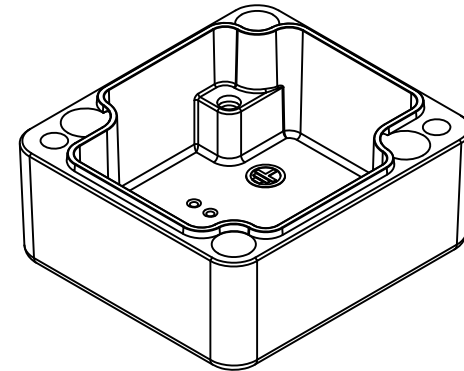


SECTION B-B

BASE



SECTION C-C



QUANTITY	MATERIAL :-	MACH.NAME	DATE	SIGN	NAME	
-	Alsi12 Din230	-	07/06/12		RRPL	DESIGN
			07/06/12		MANOJ	DRAWN
					PAVAN	CHECKED
					S.D.	APPROVED
TOLERANCE		WEIGHT: FINISH: NATURAL	TITLE :-		SCALE PARTNO.	
±0.2	DIMENSIONS		JUNCTION BOX		0	
±0.2	HOLES		58 x 64 x 34		REV	
±1.0°	ANGLES		Raychem RPG (P) Limited		DRG. NO.	
			Ceat Mahal Annexe, Dr. Annie Besant Road, Worli, Mumbai 400030 Web : www.raychemrpg.com		AJB-586434	