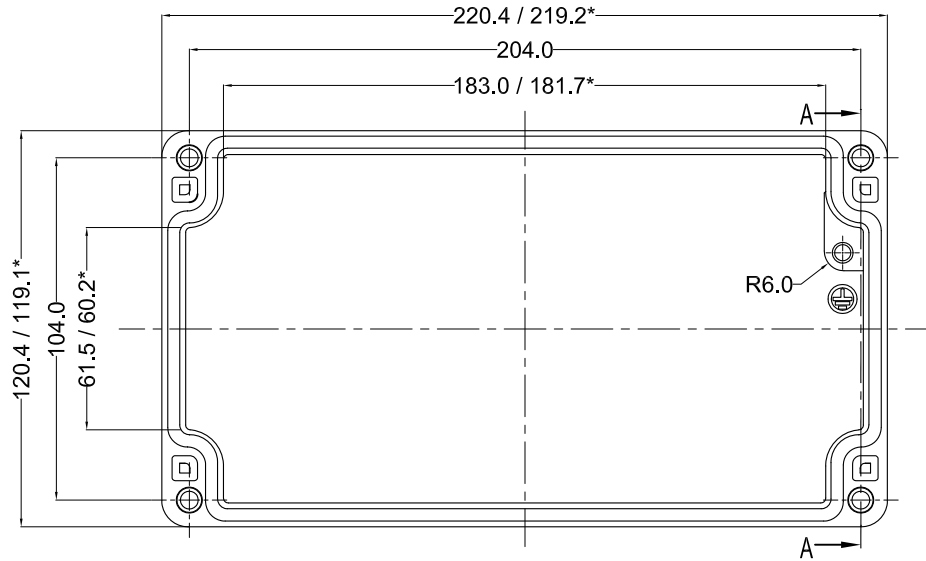
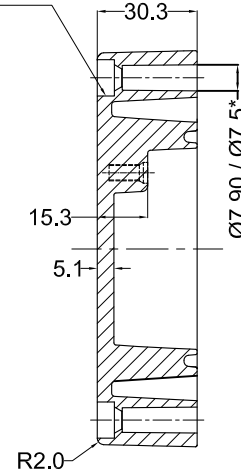


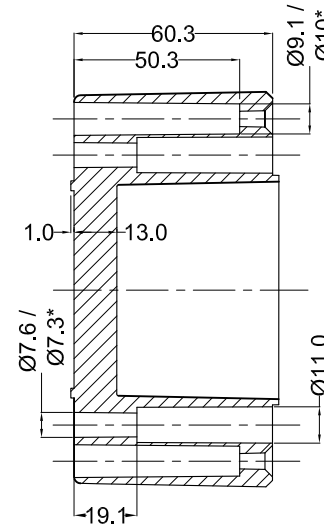
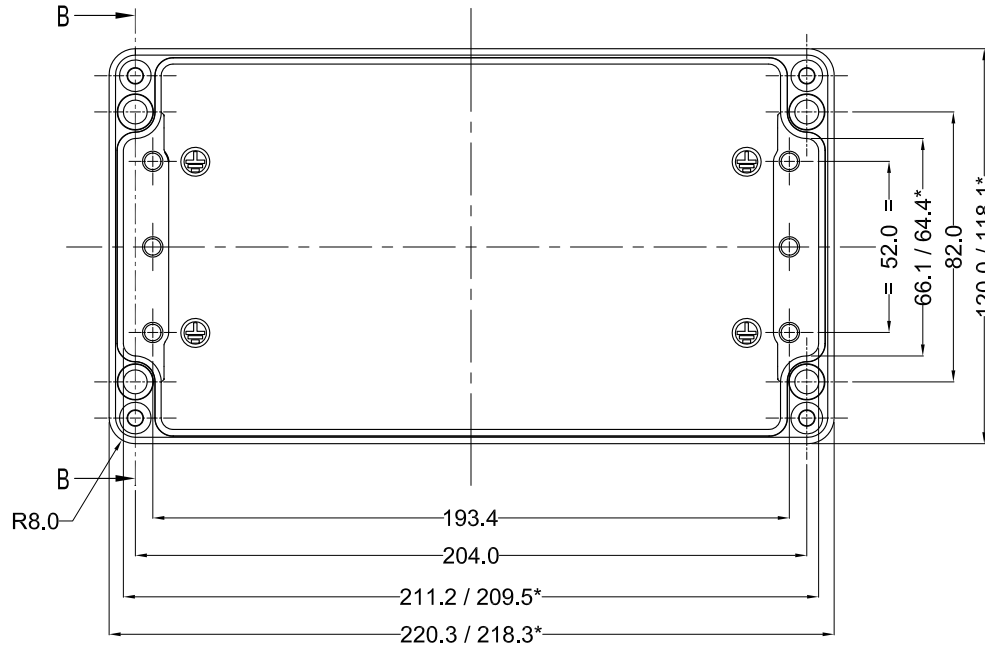
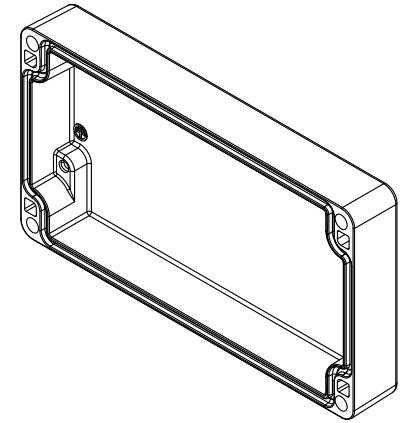
* = Conical form tapering downward.
 Untoleranced dimensions per GTA 13/5 DIN 1688



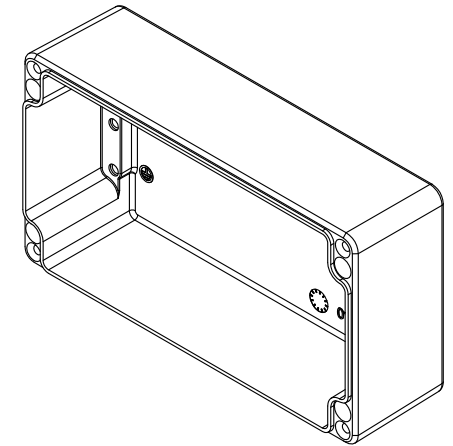
Cylinder Screw
 M6 x 35/10 similar to DIN 84

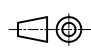


SECTION A-A



SECTION B-B



QUANTITY 1	MATERIAL :- ALs112 (Din230)	MACH.NAME -	DATE 30/04/12	SIGN MANOJ	NAME DRAWN
 TOLERANCE ±0.2 DIMENSIONS ±0.2 HOLES ±1.0° ANGLES	WEIGHT: -	FINISH: NATURAL	TITLE :- JUNCTION BOX 220 x 120 x 81	DATE 30/04/12	NAME PAVAN CHECKED
	ALL DIMENSION ARE IN MM		Raychem RPG (P) Limited Ceat Mahal Annexe, Dr. Annie Besant Road , Worli , Mumbai 400030 Web : www.raychemrpg.com	SCALE REV 0	PARTNO. 0