



6mm Semi-Fixed Carbon Potentiometer (6mm 電木半固定電位器)

SH-655MCL T.B.



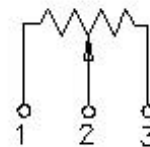
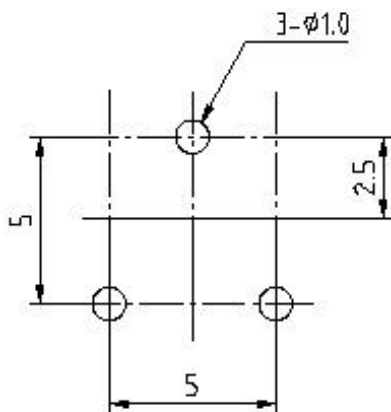
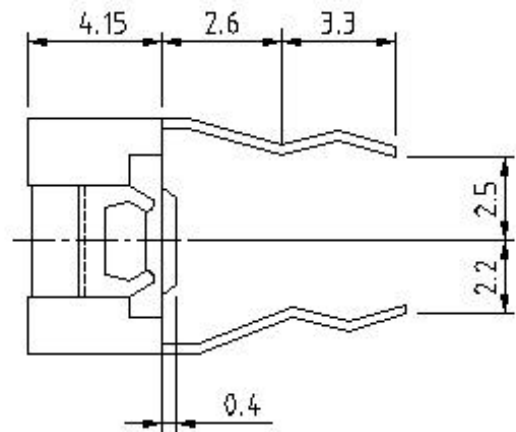
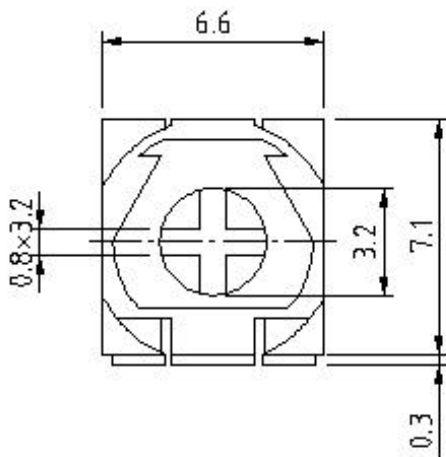
Black Color

Part Number

SH-655MCL - **50K** (T.B.)

Resistance Value Carbon
阻值 電木碳素皮模材質

Dimensions 規格尺寸





6mm Carbon Semi-Fixed Potentiometer (6mm 電木半固定電位器)

Electrical Characteristics 電氣特性

1. Resistance Value 阻值	100 ~ 1 M
2. Tolerance Rating 阻值誤差	± 30 %
3. Resistance Taper 線性	B Curve (Linear)
4. Max. Power Rating 定格電力	0.1W (at 50)
5. Max. Working Voltage 最大工作電壓	50 V DC(>500k 25V DC)
6. Contact Resistance Variation 接觸阻值變化	6 % Max.
7. Residual Resistance 殘留阻值	Less than 1% of nominal resistance value R 1K ⇨ 30 Max. R > 1K ⇨ 3 % Max.

Mechanical Characteristics 機械特性

1. Rotation Angle 全旋轉角度	210 ± 20 degree
2. Rotation Torque 旋轉扭力	20 ~ 250 gf-cm
3. Stopper Strength 迴轉止強度	Front ⇨ 750 gf-cm Rear ⇨ 350 gf-cm

Reliability Specification 實際規格

1. Operation life 操作壽命	20±2 Cycles Resistance Value ± 15 %
2. Temperature Characteristics 溫度特性	+5 % to -20% @ 70 5 Hr
3. Humidity Characteristics 溼度特性	+20% to -5 % @ 40 90 ~ 95 %RH without load
4. Resistance To Soldering Heat 焊錫耐熱阻值變化	±3% @ pass 300 3sec. @ Without any poor contact
5. Working Temperature 工作溫度	- 10 ~ 70
6. Temperature Cycles 溫度週期	± 5 % @ without load : -10 70 30min/ 5 cycles 2 hours after.