

## Tact Switch Series

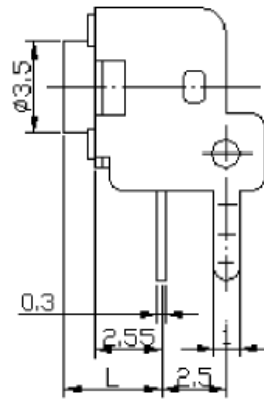
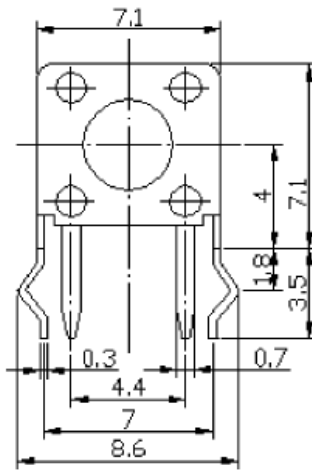
TV-06



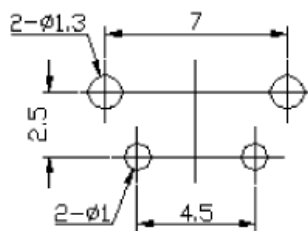
### Part Number

Model No.	High (L)	Model No.	High (L)
TV-06B	5.85	TV-06D	8.35
TV-06C	6.85		

### Dimensions



### P.C.B LAYOUT



### CIRCUIT

