


AKZ130/..-5.08-GREY-BL



Technical Data

Wire Sizes		Insulating Material	
Solid min	0.14 mm ²	Material	PA 6.6
solid max	2.5 mm ²	Flammability Class	UL 94 V-0
Stranded (flexible) min	0.14 mm ²	Temperatures	
Stranded (flexible) max	1.5 mm ²	Operating Temperature	-30 °C - 105 °C
Stranded with Ferrule min	0.14 mm ²	Wave Soldering Process	
Stranded with Ferrule max	1.5 mm ²	Soldering Temperature, recommended	-
Dimensions		Peak Soldering Time, recommended	-
Stripped Length	6.0 mm	Reflow Process	
Materials		Soldering Temperature, recommended	-
Clamp	Brass	Peak Soldering Time, recommended	-
Screw	Steel		
Contact Spring	Copper Alloy		

Colours

	GREY , RAL7016
---	----------------

Colours according to RAL, there may be variations on colour due to production conditions. Special colours on request.

Counterparts (Spacing 5.08 mm)




Pin Strip/Terminal Blocks	
STLZ130	STLZ140

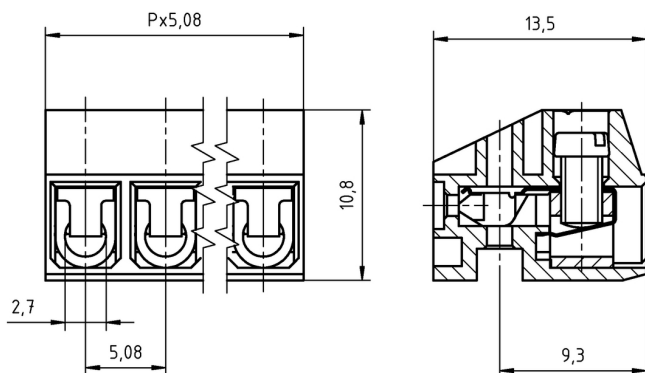
If there are combinations with different ratings, the lower value is valid.

Order Data (Spacing 5.08 mm)

Poles	Width (mm)	Article Designation	Article Number	PU
2	10.16	AKZ130/2-5.08-GREY-BL	50130022051G	250
3	15.24	AKZ130/3-5.08-GREY-BL	50130032051G	250
4	20.32	AKZ130/4-5.08-GREY-BL	50130042051G	250
5	25.40	AKZ130/5-5.08-GREY-BL	50130052051G	250
6	30.48	AKZ130/6-5.08-GREY-BL	50130062051G	250
7	35.56	AKZ130/7-5.08-GREY-BL	50130072051G	250
8	40.64	AKZ130/8-5.08-GREY-BL	50130082051E	100
9	45.72	AKZ130/9-5.08-GREY-BL	50130092051E	100
10	50.80	AKZ130/10-5.08-GREY-BL	50130102051E	100
11	55.88	AKZ130/11-5.08-GREY-BL	50130112051E	100
12	60.96	AKZ130/12-5.08-GREY-BL	50130122051E	100
13	66.04	AKZ130/13-5.08-GREY-BL	50130132051D	50
14	71.12	AKZ130/14-5.08-GREY-BL	50130142051D	50
15	76.20	AKZ130/15-5.08-GREY-BL	50130152051D	50
16	81.28	AKZ130/16-5.08-GREY-BL	50130162051D	50

Accessories

Figure	Designation	Article Number
	Bridge, 2-pole, insulated, BRI/2-5.0/5.08-LIGHT GREY	50000000006
	Bridge, 3-pole, insulated, BRI/3-5.0/5.08-LIGHT GREY	50000000007
	Bridge, 2-pole, BR/2-5.0/5.08-L7.0	50000000008



Ratings



Usegroup	B	C	D		
Rated Voltage	300 V	-	300 V	250 V	
Rated Current	8 A	-	8 A	7 A	
Overtoltage Category				III	
Rated Wire Size			min		max
	solid	AWG 22-12	-	AWG 22-12	0.5 mm ² (5 A) 2.5 mm ² (7 A)
	stranded	AWG 22-14	-	AWG 22-14	0.5 mm ² (5 A) 1.5 mm ² (7 A)
Torque	0.45 Nm		-	0.45 Nm	0.40 Nm
Screw Size	M2.6		-	M2.6	M2.6
Test Voltage	1.6 kV		-	1.6 kV	4.0 kV
Pollution Degree	3				