



ZIPPY TECHNOLOGY CORP.



10F, NO.50, MIN CHYUAN ROAD,  
SHIN-TIEN CITY, TAIPEI COUNTY,  
TAIWAN, R.O.C

TEL: 886-2-2918-8512 / 886-2-2918-0603  
FAX: 886-2-2915-5765 / 886-22916-0215  
[Http://www.zippy.com.tw](http://www.zippy.com.tw)

### APPROVED DATA SHEET

Model: 1001560096(VA2-10S1-05D0-Z)

ISSUED DATE: JAN.23.2013  
APPROVED NO.: 1001560096.A  
PAGE: 1/4

The undersigned guarantee of the model switches is meets the following specifications.

#### 1.Operation Characteristics

Operating Force (OF) : Max.170 gf  
Releasing Force (RF) : Min.28 gf  
Operating Position (OP) : 20.7 ± 0.8 mm  
Movement Differential (MD) : Max. 0.45 mm  
Over-travel (OT) : Min. 0.6 mm  
Pre-travel (PT) : Max. 2.7 mm

#### 2. Specifications

Initial Contact Resistance : Max. 100 mΩ. (Initial) (For molded lead wire models)  
( Measured by ohm meter –Open Voltage<1VDC, Driver current -100mA )  
Before measure the switch contact resistance, please press the switch three times on and off.

Initial Dielectric Strength : 500VAC(50-60HZ)/minute between contacts.  
1,500VAC(50-60HZ)/minute between Live-parts and dead metal parts.

Insulation Resistance : Min. 100 MΩ( 500 VDC/ minute ).

Circuit Arrangement : SPDT ( Single pole double throw )

Rating : 10A 125/250VAC ; 10(4)A 125/250VAC

Service Life : Min. 10,000 operations.

Operating Frequency : 10~30 operations per minute.

Safety Certificate : UL, cUL, ENEC15

Mechanical Service Life : Min. 1,000,000 operations.

Operating Frequency : Max. 120 operations per minute.



ZIPPY TECHNOLOGY CORP.



10F, NO.50, MIN CHYUAN ROAD,  
SHIN-TIEN CITY, TAIPEI COUNTY,  
TAIWAN, R.O.C

TEL: 886-2-2918-8512 / 886-2-2918-0603  
FAX: 886-2-2915-5765 / 886-22916-0215  
[Http://www.zippy.com.tw](http://www.zippy.com.tw)

**APPROVED DATA SHEET**

-----  
**Model: 1001560096(VA2-10S1-05D0-Z)**  
=====

ISSUED DATE: JAN.23.2013  
APPROVED NO.: 1001560096.A  
PAGE: 2/4

**3. Environments**

- Operating Temperature : -40°C ~ 125°C ( with no icing )
- Vibration Resistance : 10~55Hz, displacement 0.75mm(p-p) 2hr
- Shock Resistance : Destruction: 1,000 m/s<sup>2</sup> {approx. 100G} max.  
Malfunction: 300 m/s<sup>2</sup> {approx. 30G} max.
- Soldering by hand : 350 °C maximum within 3 seconds.

ZIPPY TECHNOLOGY CORP.

黃玉燕

-----  
PREPARED

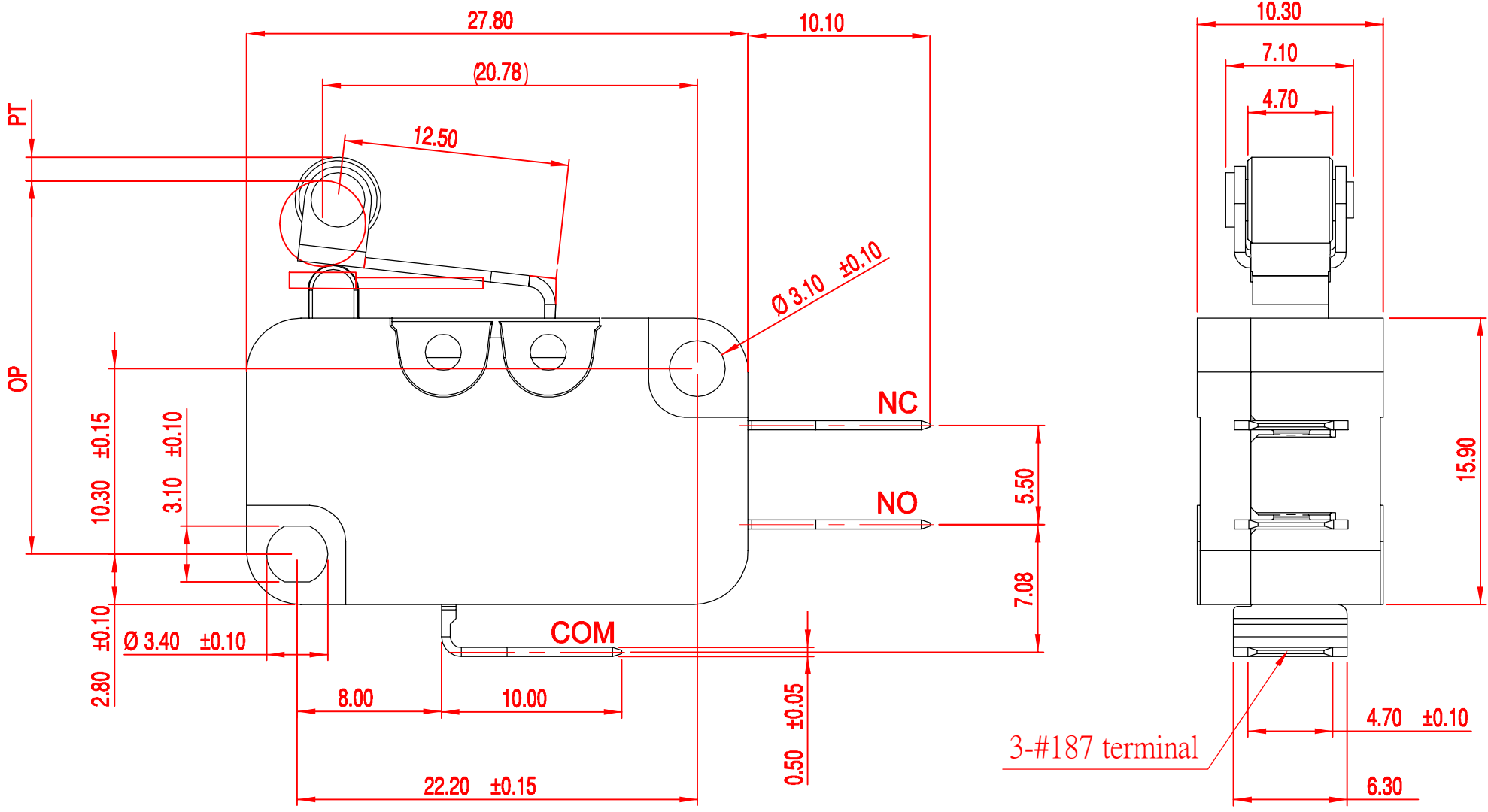
廖剛緯

-----  
CHECKED

張哲維

-----  
APPROVED

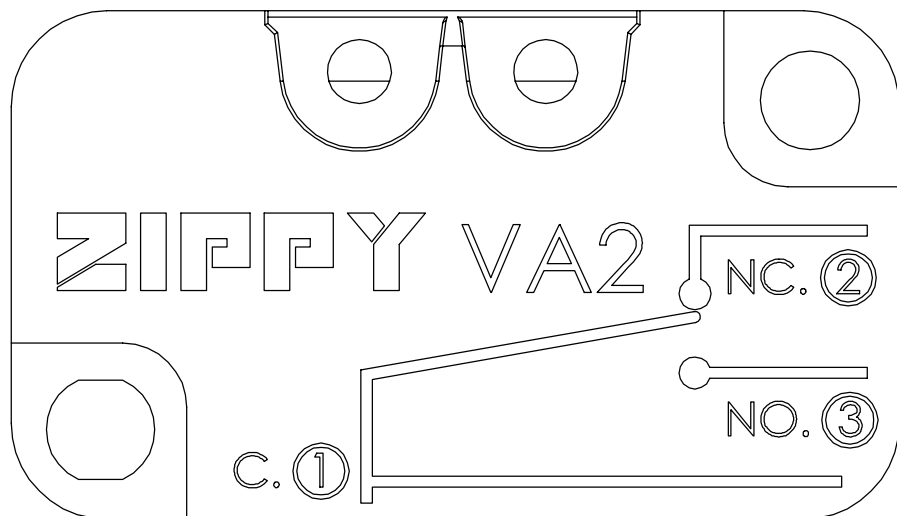
# Dimensions drawing



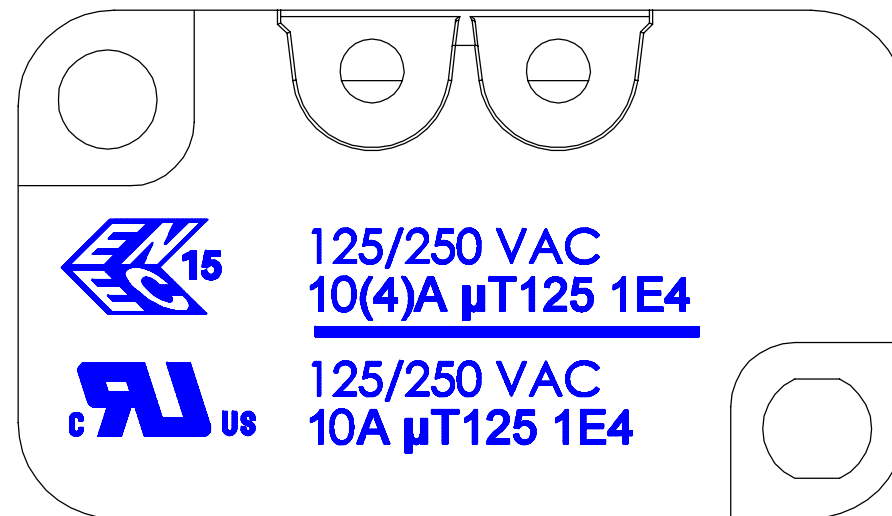
Tolerance	
X. X	± 0.2
XX. X	± 0.4

VIEW		SIZE	A4	UNIT	mm
DATE	JAN-23-2013	VER.	1.0	FILE NAME	VA2-105D0
APPROVAL	李金龍	CONFIRM	張哲維	DESIGN	廖剛緯

# Marking drawing



## COVER



## CASE

VIEW		SIZE	A4	UNIT	mm
DATE	DEC-07-2012	VER.	1.0	FILE NAME	VA2-10
APPROVAL	李金龍	CONFIRM	張哲維	DESIGN	沈俊榮