

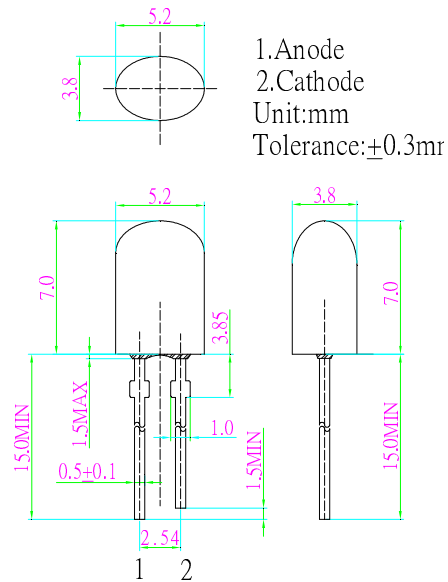
**■Features**

- High Luminous LEDs
- 5.2x3.8mm Standard Directivity
- Superior Weather-resistance
- UV Resistant Epoxy
- Color Diffused Type

**■Applications**

- Electronic Signs & Signals
- Full-Color Video Screen
- Motorway Signs
- Variable-Message Sign(VMS)
- Advertising Signs
- Other Lighting

**■Outline Dimension**



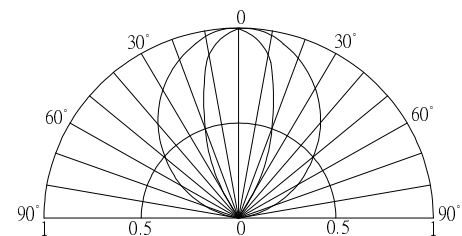
**■Absolute Maximum Rating**

(Ta=25°C)

| Item                       | Symbol          | Value      | Unit |
|----------------------------|-----------------|------------|------|
| DC Forward Current         | I <sub>F</sub>  | 50         | mA   |
| Pulse Forward Current*     | I <sub>FP</sub> | 120        | mA   |
| Reverse Voltage            | V <sub>R</sub>  | 5          | V    |
| Power Dissipation          | P <sub>D</sub>  | 130        | mW   |
| Operating Temperature      | Topr            | -40~ +85   | °C   |
| Storage Temperature        | Tstg            | -40 ~ +100 | °C   |
| Lead Soldering Temperature | Tsol            | 260°C/5sec | -    |

\*Pulse width Max.10ms , Duty ratio max 1/10

**■Directivity**



**■Electrical -Optical Characteristics**

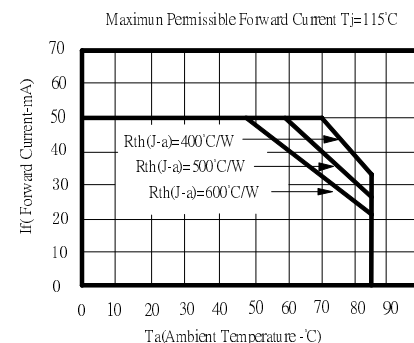
(Ta=25°C)

| Item                | Symbol            | Condition            | Min. | Typ.   | Max. | Unit |
|---------------------|-------------------|----------------------|------|--------|------|------|
| DC Forward Voltage  | V <sub>F</sub>    | I <sub>F</sub> =20mA | 1.8  | 2.1    | 2.6  | V    |
| DC Reverse Current  | I <sub>R</sub>    | V <sub>R</sub> =5V   | -    | -      | 10   | μA   |
| Domi. Wavelength*   | λ <sub>D</sub>    | I <sub>F</sub> =20mA | 619  | 624    | 629  | nm   |
| Luminous Intensity* | I <sub>v</sub>    | I <sub>F</sub> =20mA | 2000 | 2500   | -    | mcd  |
| 50% Power Angle     | 2θ <sub>1/2</sub> | I <sub>F</sub> =20mA | -    | 100/40 | -    | deg  |

\*1 Tolerance of dominant wavelength is ±1nm

\*2 Tolerance of luminous intensity is ±15%

**■Maximum Forward DC Current**



■Ranks Combination

| Rank (I <sub>F</sub> =20mA) | Red     |         |         |         |
|-----------------------------|---------|---------|---------|---------|
|                             | 333     | 444     | 555     | 666     |
| DC Forward Voltage(v)       | 1.8-2.0 | 2.0-2.2 | 2.2-2.4 | 2.4-2.6 |

Luminous Intensity (mcd) I<sub>F</sub>=20mA

| Color | Rank | Luminous Intensity (mcd) |
|-------|------|--------------------------|
| Red   | M    | 1560-2180                |
|       | N    | 2180-3000                |

| Rank (I <sub>F</sub> =20mA) | Red     |         |         |  |
|-----------------------------|---------|---------|---------|--|
|                             | O622    | R511    | R522    |  |
| Domi. Wavelength* (nm)      | 615-620 | 620-625 | 625-630 |  |