

RECOMMEND P.C.B LAYOUT

NOTE:

1.ELECRTICAL PROPERTIES:

- 1-1.CONTACT CURRENT RATING:1.8A(ONLY PIN1,5) AT THE SAME TIME OTHER 1A(ONLY PIN2,3 4).
- 1-2.CONTACT RESISTANCE:30m Ohm MAX
- 1-3.INSULATION RESISTANCE:100M Ohm MIN AT DC 500V.
- 1-4.DIELECTRIC WITHSTANDING VOLTAGE:AC 100V AC/1 MINUTE 10mA.

2.MATERIAL:

- 2-1.PIN: BRASS
- 2-2.HOUSING: LCP COLOR:BLACK
- 2-3.SHELL: Stainless Steel

3.PLATING:

- 3-1.PIN:UNDERPLATED 50u" MIN,NICKEL OVER ALL. 1u".3u".5u".10u".15u". 30u"GOLD ON CONTACT AREA. 100u" MIN, TIN ON SOLDER TAILS.
- 3-2. SHELL: 30~80u" ,NICKEL OVER ALL.
- 4.Temperature range: -40°C~+85°C

| | | | | | |
|-----|-----------|------|-----------------|---------------|---------------|
| 3 | SHELL | 1 | Stainless steel | T=0.30±0.01mm | Nickel Plated |
| 2 | CONTACT | 5 | Brass | T=0.20±0.01mm | Gold Flashfd |
| 1 | HOUSING | 1 | LCP | | Black |
| No. | Part Name | Q'ty | Material | Thickness | Finish |

MISB-SWMPR-5B-LF
LEADFREE
RoHS Compliant

MORETHANALL
CONNECTORS
ASSEMBLIES

PART NO. MISB-SWMPR-5B

DWG NO. MISB-SWMPR-5B

FILE NO.

CHECKED BY CY

DRAWING BY

TOLERANCES ARE

X. ±
.X ± 0.30
.XX ± 0.20
.XXX ± 0.10
ANG

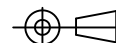
DESCRIPTION: MICRO USB 5PIN(F) B TYPE (有定位柱)

煜倫股份有限公司

UNIT / mm

SCALE 1:1

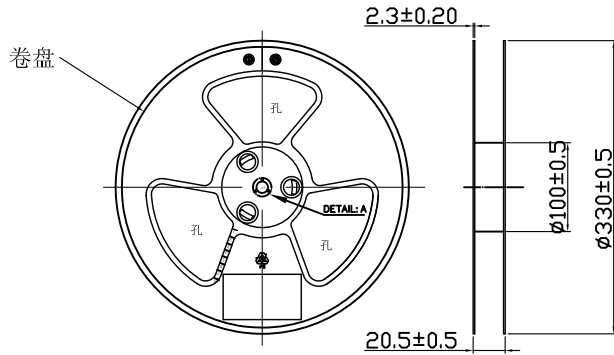
PROJECTION



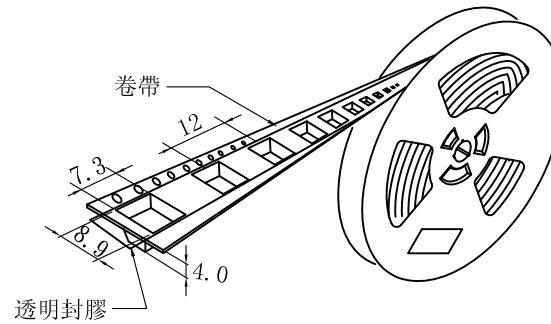
AREA

REVISIONS

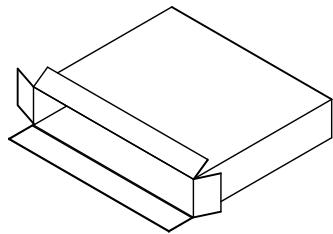
DATE



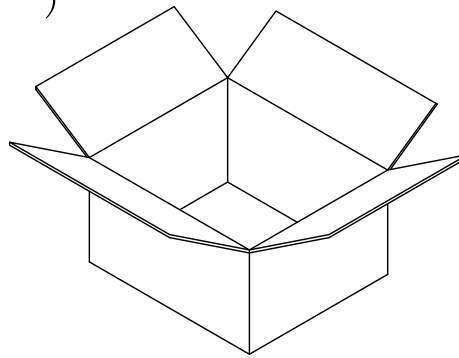
卷帶盤(圖一)



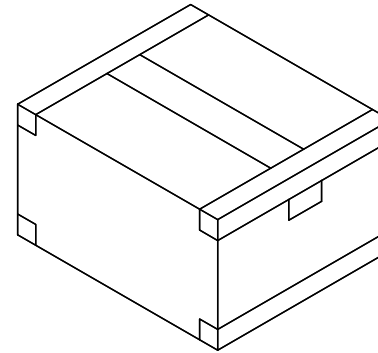
卷裝圖示(圖二)



未封好
內紙箱
(圖三)
包裝說明



未封好
外紙箱
(圖四)



封好外
紙箱
(圖五)

1. 每卷帶盤裝1500PCS,不可少數,成品在盤內不可活動,裝好後使用自動卷裝機粘合上透明封膠.如圖(一,二)所示.卷帶盤規格為 ϕ 330.0*20.5MM.
2. 將裝好的卷帶盤放入內紙箱內,每個內紙箱放2盤,用透明膠密封,再將封裝好的內紙箱放入外紙箱中,每個外紙箱放8個內紙箱,共有產品24.0K,最後用透明膠密封外紙箱.如圖(三,四,五)所示.內紙箱規格為350*350*58MM,外紙箱規格為355*368*530MM
3. 紙箱外貼上環保标签,合格标签,產品規格說明,並且貼在外箱側面的箱面規格說明的右上方(僅貼一側)
4. 包裝材料:(JPL007,RR002,ZX011,ZX004)

MORETHANALL
CONNECTORS
ASSEMBLIES

PART NO. MISB-SWMPR-5B

DWG NO. MISB-SWMPR-5B

FILE NO.

UNIT / mm

SCALE 1:1

CHECKED BY CY

DRAWING BY

PROJECTION

TOLERANCES ARE

X.±
.X±
.XX±
.XXX±
ANG

DESCRIPTION:

AREA

REVISIONS

DATE

煜倫股份有限公司