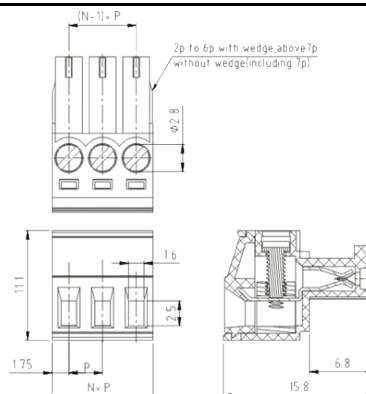


# PLUGGABLE TERMINAL BLOCKS



**EC201-3.5/3.81**

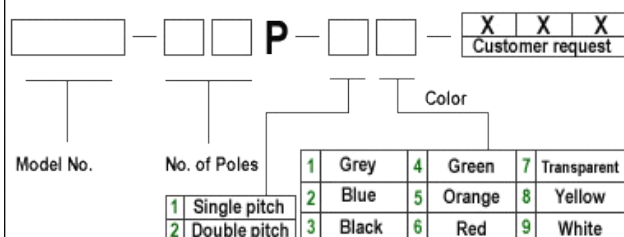
**Pitch: 3.5mm, 3.81mm**



*N: Number of poles P: Pitch*

Standard	UL	IEC
Rated voltage	300V	250V
Rated current	8A	7A
Wire range	28-16AWG	0.5-1.5mm <sup>2</sup>
Withstanding voltage	AC2000V/1Min	
Torque	0.2Nm(1.7Lb-In.)	
Ambient temperature	-40°C~+105°C	
Strip length	7mm	
Pitch	3.5mm(.138") 3.81mm(.150")	
Poles	2P-24P	
Housing	PA66,UL94V-0	
Screws	M2,steel,Cr <sup>3+</sup> Zn plated	
Contact	Phosphor bronze	
Cage	Brass,Ni plated	

## HOW TO ORDER



## EG:

