

"Intelligent designs for high productivity"

4 MODULE ENCLOSURE LIGHT

FOR M36 DIN-RAIL LOW COST

SERIES
M4

TECHNICAL DATA:

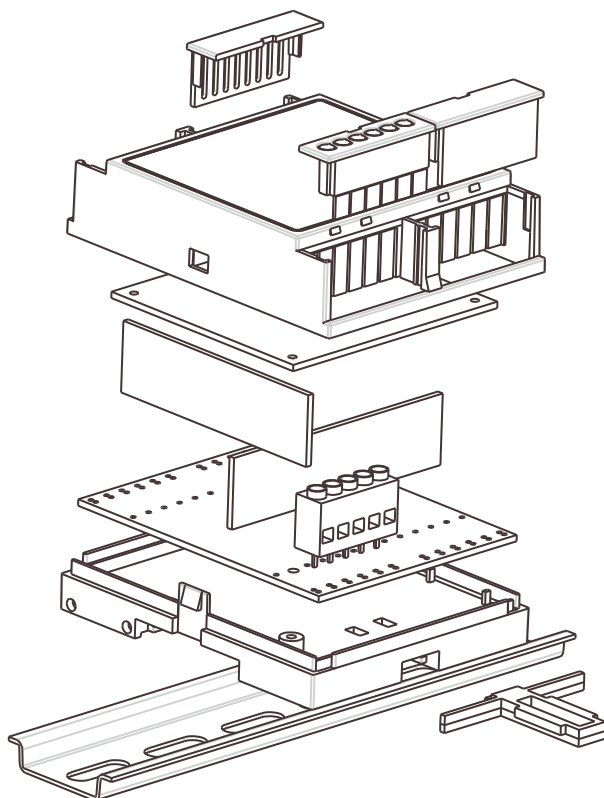
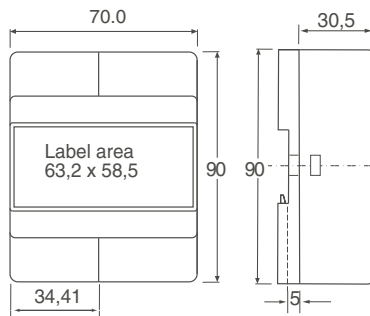
TOP PART:

Material: ABS (other on request)
 Colour: Grey (RAL 7035) other on request
 Max.temperature: 75°C
 Width: 70.0 mm
 (4 modules)

BASE PART:

Material: ABS (other on request)
 Colour: Black (RAL 9005) other on request
 Max.temperature: 75°C
 Terminals: Up to 12 fixed or
 (2x6) plugable
 Mounting: DIN-rail (EN50022)

Many different covers available



Light lowcost 4 modules enclosure.

With the optional terminal covers you can have a simple and low cost two pcs enclosure or you can use the optional covers to enable you the flexibility to build your own DIN-rail enclosures.

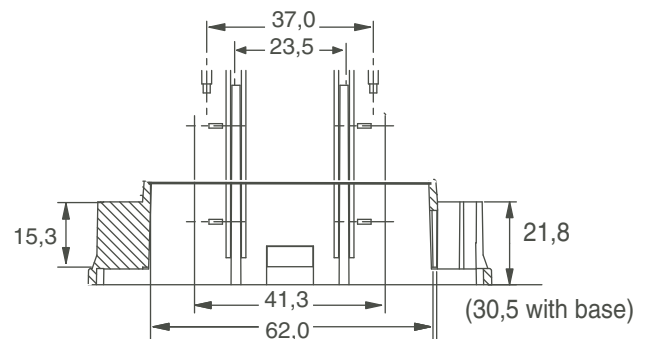
The possibility of mixing covers with different openings for connectors gives not only very wide options of connections, but also a very good price.

Due to designed covers it is possible to add different and individual features to the design.

Interconnections in form of pin headers and distance pcs/spacers from board level to board level are available.

Options: Printed numbers and symbols on the cover and colour coded covers.

Series M4 is, if requested, available with customer specified holes in front. Prototype PCB, customized label and packing are available.



The covers are only an option, you do not necessarily need them all.

Pos.	Description Type M4 Light	Partnumber
1	Top part,label area 63,2 x 33,2	p/n 6069004101
2 A	Plugable terminal 6 way, horizontal	p/n 1155706580
2 B	Plugable terminal 6 way, horizontal	p/n 1155606080
2 C	Plugable terminal 6 way, vertical	p/n 3955066780
2 D	Plugable terminal 6 way, vertical	p/n 1155706380
3	Fixed terminal 6 way	p/n 3950140608
4	Top PCB for type M4	p/n 4999000370
5	Cover ventilated	p/n 8845350401
7	Cover, closed	p/n 8845350101
8	Base PCB for type M4	p/n 4999000700
9	Lower cover, knock out	p/n 8845350501
13	Short side PCB	p/n 4999000470
14	Base part type M4 with clip + 2 screws	p/n 4969002701
15	Low cover with oval hole	p/n 8845350201
16	Kompleat M4 (top+base)	p/n 6069104101