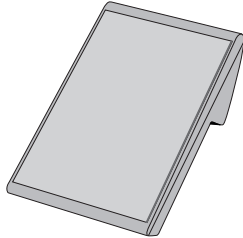


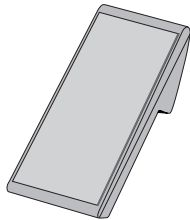
THE NOVA ENCLOSURE WITH FLEXIBLE 3D FRONT

**SERIES
NOVA**

NOVA 127



NOVA 63

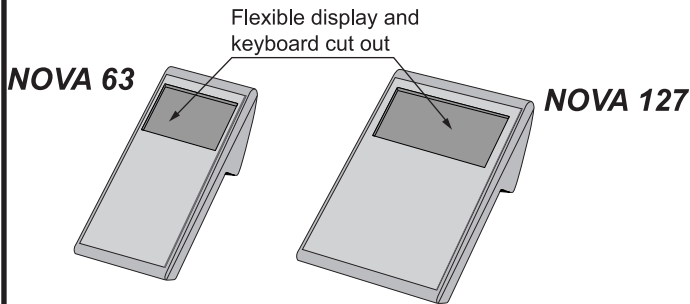


The Nova enclosure is a desktop, handheld, wall mounted, portable or rack mounted enclosure with wide possibilities for usage. The front as well as the two areas indicated by hatching on the back are flexible inserts in the molding tool with optional customer holes or even custom 3D surfaces. Optional sealing in accordance with IP 65.

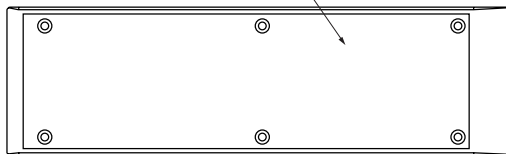
An optional battery lid is available. Up to four 9V batteries are possible. See also next page for additional features.

TECHNICAL DATA:

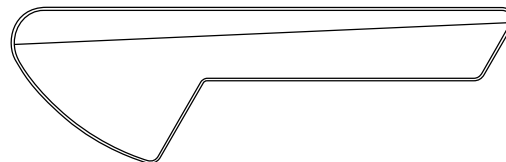
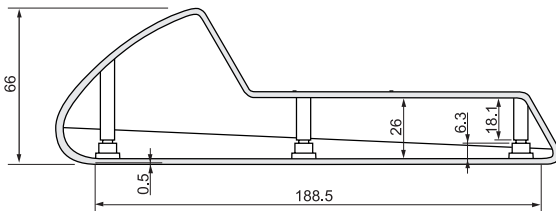
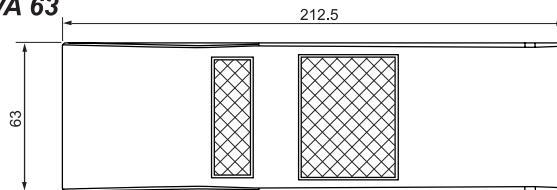
Material:	ABS/PC
Colour:	Dark - grey
Max. temperature:	100°C
Front label:	188.5 x 57/188.5 x 121
Self-extinguishing:	Acc. to UL94-V0



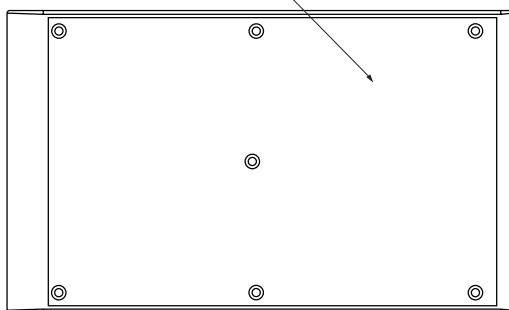
Label area 188.5 x 57



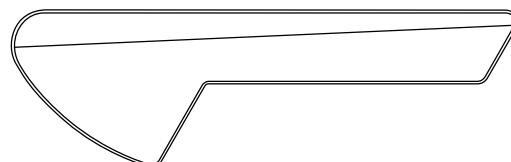
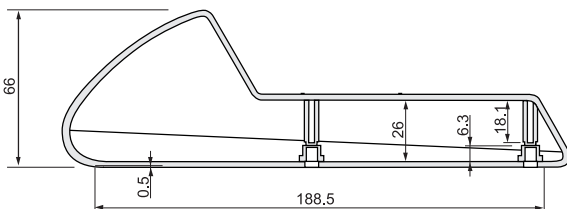
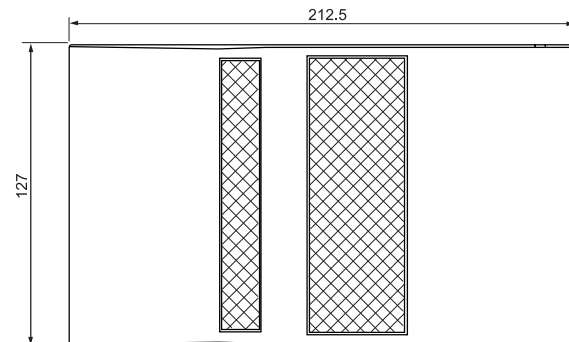
NOVA 63



Label area, 188.5 x 121



NOVA 127



● All measurements are in mm.