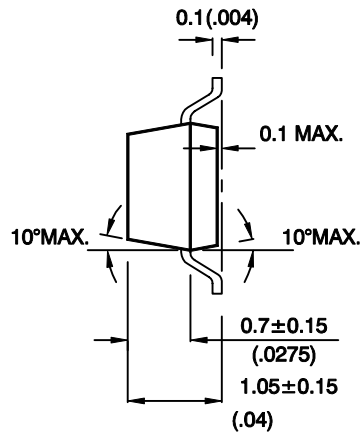
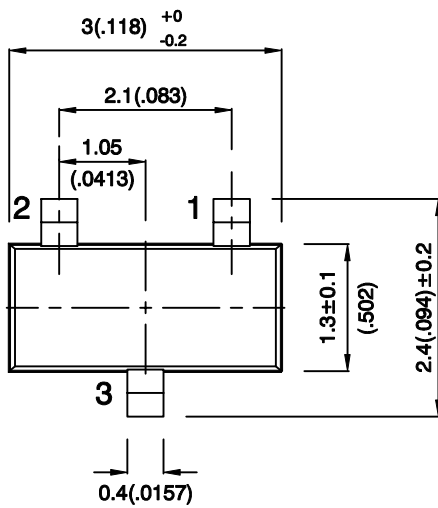


SOT 23 SURFACE MOUNT LED LAMP

KM-23 LOW CURRENT

UNIT : MM(INCH)

TOLERANCE :  $\pm 0.25(\pm 0.01)$



- 1. ANODE
- 2. N.C.
- 3. CATHODE

| PART NO.   | SOURCE (DICE)                   | LENS TYPE (RESIN) | LUMINOUS INTENSITY MCD @2mA |      | VIEWING ANGLE<br>2 $\Theta$ 1/2 |
|------------|---------------------------------|-------------------|-----------------------------|------|---------------------------------|
|            |                                 |                   | MIN.                        | MAX. |                                 |
| KM-23LID-F | RED HIGH EFFICIENCY (GaAsP/GaP) | RED DIFFUSED      | 0.5                         | 1.25 | 140°                            |

|           |          |         |                  |
|-----------|----------|---------|------------------|
| APPROVED: | CHECKED: | SCALE : | DATA NO. : D6198 |
|           |          | 12 : 1  | DATE : 03/03/97  |