

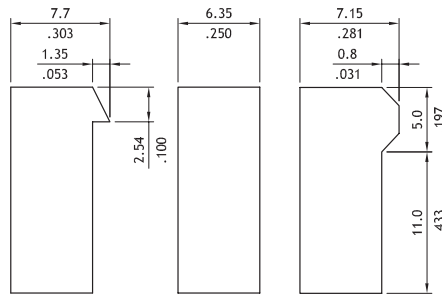
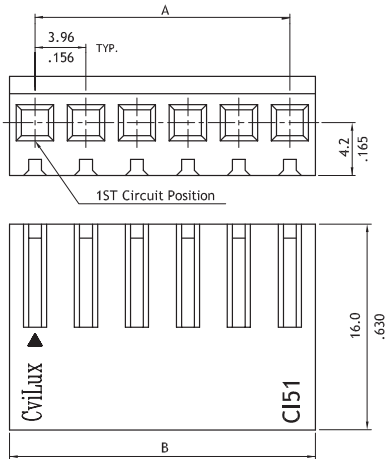
**CI51 Series 3.96mm(.156") Wire to Board Connectors**

- With locking tab
- Mate with CI51, CI77 header
- Can be used CI51 crimp clip terminal
- Insulator: Nylon 66 UL 94V-2 , Color Nature
- Terminal: Tin plated Brass or Phosphor Bronze

**RoHS** Compliant



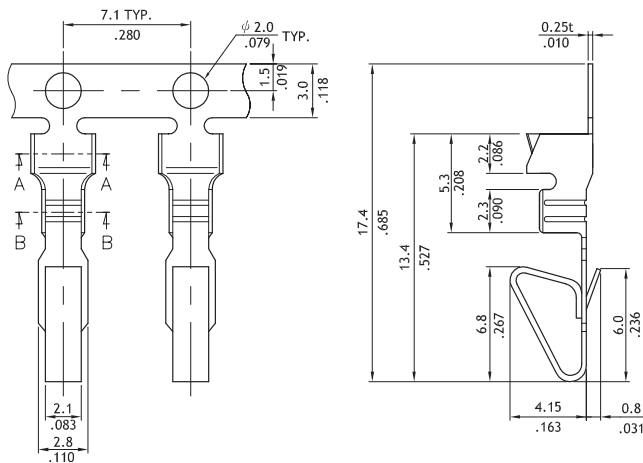
**RU** :E159616



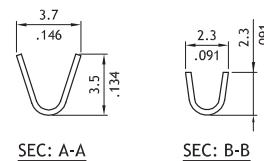
Circuits	Dimension	
	A	B
2	3.96(.156)	8.0(.315)
3	7.92(.312)	12.0(.472)
4	11.88(.468)	15.9(.626)
5	15.84(.624)	19.9(.783)
6	19.80(.780)	23.9(.941)
7	23.76(.935)	28.0(1.102)
8	27.72(1.091)	32.0(1.260)
9	31.68(1.247)	35.9(1.413)
10	35.64(1.403)	39.9(1.571)
11	39.60(1.559)	43.9(1.728)
12	43.56(1.715)	47.8(1.882)
13	47.52(1.871)	51.8(2.039)
14	51.48(2.027)	55.7(2.193)
15	55.44(2.183)	59.7(2.350)
16	59.40(2.339)	63.7(2.508)
17	63.36(2.494)	67.6(2.661)
18	67.32(2.650)	71.6(2.819)
19	71.28(2.806)	75.5(2.972)
20	75.24(2.962)	79.5(3.130)

P/N:CI51\*\*S0000    P/N:CI51\*\*S000R    P/N:CI51\*\*S00DR

**PHUxx**



Wire Range	Insulation	Reel Qty
AWG #18-#24	2.48 (.098) MAX.	5,000 PCS



**Ordering Code**

**1**    **2**    **3**    **4**  
**CI51**   **20**   **S**   **0000**

- ① Series No.
- ② No. of Circuits: 02 to 20
- ③ S= housing
- ④ Other options:  
 0000= With locking Ramp(Standard)  
 000R= Without locking Ramp  
 00DR= Low force locking Ramp  
 \*Special options consult manufacturer

**1**    **2**    **3**    **4**    **5**    **6**  
**CI51**   **T03**   **1**   **B**   **E**   **0**

- ① Series No.
- ② Type: T03= AWG #18~#24
- ③ Plating : 1= Tin over Nickel
- ④ Material: B= Brass ; P=Phosphor Bronze
- ⑤ Plating method: E= Pre-tinned
- ⑥ Other options:  
 0= Standard