

Cree® XLamp® XR Family LEDs

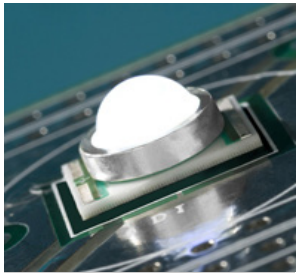


TABLE OF CONTENTS

Introduction	1
Bin and Order Code Formats	2
Performance Groups – Brightness	3
Performance Groups – Chromaticity	4
Performance Groups – Dominant Wavelength	6
Performance Groups – Forward Voltage	6
Cree’s Standard Chromaticity Regions Plotted on the 1931 CIE Curve	7
Standard Order Codes and Bins	
XR-C Cool White	8
XR-C Neutral White	9
XR-C Warm White	10
XR-C Color	11
XR-E Cool White	12
XR-E Neutral White	13
XR-E Warm White	14
XR-E Color	15

INTRODUCTION

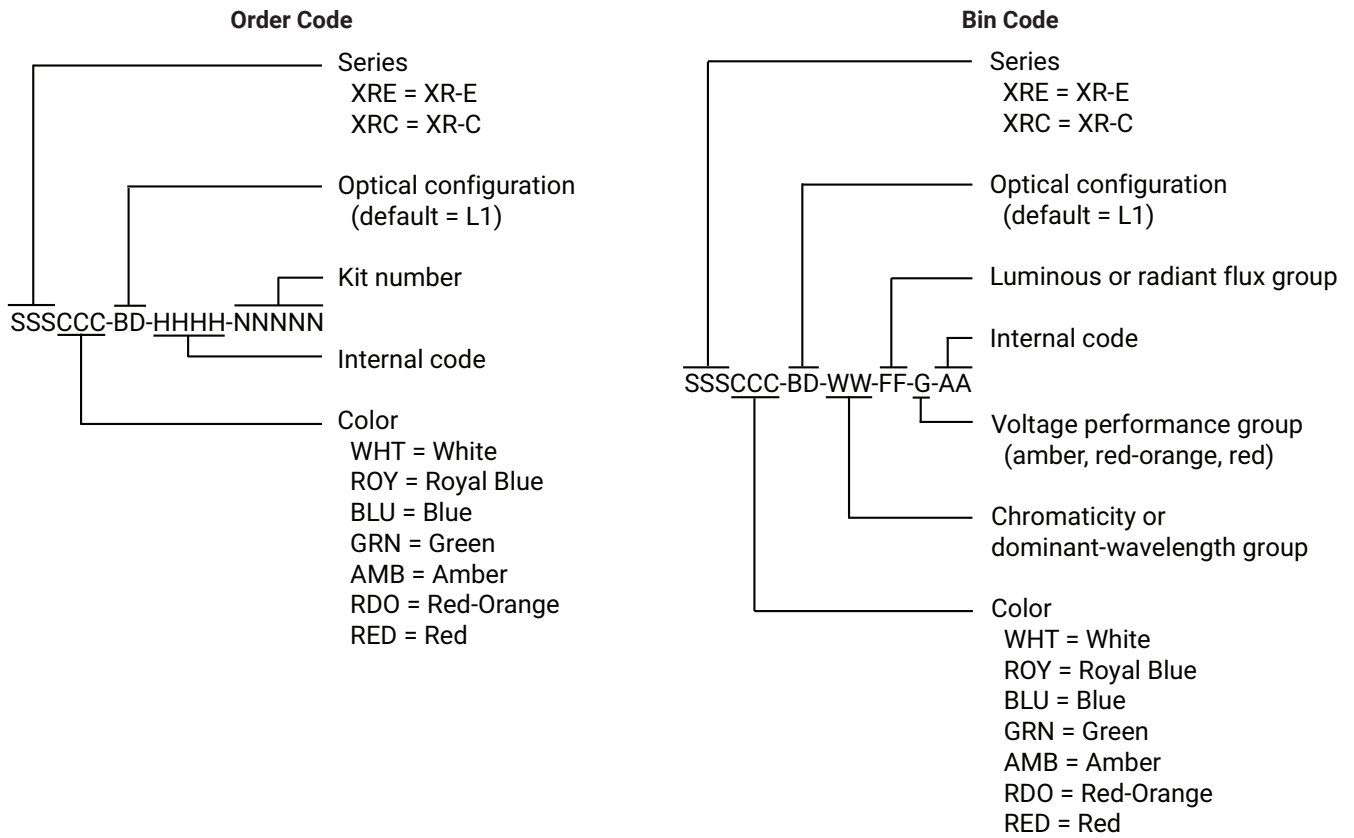
This document describes the product nomenclature required to select and order Cree’s XLamp® XR-E and XR-C LEDs. XLamp XR-E and XR-C LEDs are tested and sorted into bins which are then combined into orderable kits identified by an order code.

All XLamp LEDs are tested and sorted by color and brightness into a unique bin. Each bin contains LEDs from only one color and brightness group and is uniquely identified by a bin code. White XLamp LEDs are sorted by chromaticity (color) and luminous flux (brightness). Color XLamp LEDs are sorted by dominant wavelength (color) and luminous flux (brightness), or in the case of royal blue, radiant flux (brightness). Amber, red-orange and red LEDs are additionally binned into forward voltage bins. LEDs are shipped on reels containing LEDs from one bin and are always labeled with the appropriate bin code.

Kits contain LEDs from a number of similar bins and are fully defined by their order codes. A full explanation of the order codes for each family, as well as a list of standard order codes, is provided in this document.

BIN AND ORDER CODE FORMATS

Bin codes and order codes are configured in the following manner:



PERFORMANCE GROUPS – BRIGHTNESS

White XLamp XR-E and XR-C LEDs are tested for luminous flux and placed into one of the following luminous-lux groups:

Group	Minimum Luminous Flux @ 350 mA (lm)	Maximum Luminous Flux @ 350 mA (lm)
M2	39.8	45.7
M3	45.7	51.7
N2	51.7	56.8
N3	56.8	62.0
N4	62.0	67.2
P2	67.2	73.9
P3	73.9	80.6
P4	80.6	87.4
Q2	87.4	93.9
Q3	93.9	100
Q4	100	107
Q5	107	114
R2	114	122

Blue and green XLamp XR-E and XR-C LEDs are tested for luminous flux and placed into one of the following luminous-flux groups:

Group	Minimum Luminous Flux @ 350 mA (lm)	Maximum Luminous Flux @ 350 mA (lm)
G	13.9	18.1
H	18.1	23.5
J	23.5	30.6
K	30.6	39.8
M	39.8	51.7
N	51.7	67.2
P	67.2	87.4
Q	87.4	114

Amber, red-orange and red XLamp XR-C LEDs are tested for luminous flux and placed into one of the following luminous-flux groups:

Group	Minimum Luminous Flux @ 350 mA (lm)	Maximum Luminous Flux @ 350 mA (lm)
J	23.5	30.6
K2	30.6	35.2
K3	35.2	39.8
M2	39.8	45.7
M3	45.7	51.7
N2	51.7	56.8
N3	56.8	62.0
N4	62.0	67.2

PERFORMANCE GROUPS – BRIGHTNESS (CONTINUED)

Royal-blue XLamp XR-E LEDs are tested for radiant flux and placed into one of the following radiant-flux groups:

Group	Minimum Radiant Flux (mW) @ 350 mA	Maximum Radiant Flux (mW) @ 350 mA
12	250	300
13	300	350
14	350	425
15	425	500
16	500	600

PERFORMANCE GROUPS – CHROMATICITY

White XLamp LEDs are tested for chromaticity and placed into one of the regions defined by the bounding coordinates below.

White Chromaticity Region Bounding Coordinates

Region	x	y	Region	x	y
WK	.283	.284	WF	.314	.355
	.295	.297		.316	.332
	.298	.288		.306	.322
	.287	.276		.301	.342
WA	.292	.306	WP	.317	.319
	.295	.297		.329	.330
	.283	.284		.329	.318
	.279	.291		.318	.308
WM	.295	.297	WD	.329	.345
	.308	.311		.329	.330
	.310	.300		.317	.319
	.298	.288		.316	.332
WB	.306	.322	WG	.329	.369
	.308	.311		.329	.345
	.295	.297		.316	.332
	.292	.306		.314	.355
WE	.301	.342	WJ	.329	.330
	.306	.322		.329	.345
	.292	.306		.346	.359
	.287	.321		.344	.342
WN	.308	.311	WH	.348	.384
	.317	.319		.346	.359
	.318	.308		.329	.345
	.310	.300		.329	.369
WC	.316	.332			
	.317	.319			
	.308	.311			
	.306	.322			

PERFORMANCE GROUPS – CHROMATICITY (CONTINUED)

Region	x	y	Region	x	y	Region	x	y	Region	x	y
3A	.3371	.3490	3B	.3376	.3616	3C	.3463	.3687	3D	.3451	.3554
	.3451	.3554		.3463	.3687		.3551	.3760		.3533	.3620
	.3440	.3428		.3451	.3554		.3533	.3620		.3451	.3554
	.3366	.3369		.3371	.3490		.3451	.3554		.3440	.3428
4A	.3512	.3465	4B	.3529	.3597	4C	.3615	.3659	4D	.3590	.3521
	.3529	.3597		.3548	.3736		.3641	.3804		.3615	.3659
	.3615	.3659		.3641	.3804		.3736	.3874		.3702	.3722
	.3590	.3521		.3615	.3659		.3702	.3722		.3670	.3578
5A	.3670	.3578	5B	.3702	.3722	5C	.3825	.3798	5D	.3783	.3646
	.3702	.3722		.3736	.3874		.3869	.3958		.3825	.3798
	.3825	.3798		.3869	.3958		.4006	.4044		.3950	.3875
	.3783	.3646		.3825	.3798		.3950	.3875		.3898	.3716
6A	.3889	.3690	6B	.3941	.3848	6C	.4080	.3916	6D	.4017	.3751
	.3941	.3848		.3996	.4015		.4146	.4089		.4080	.3916
	.4080	.3916		.4146	.4089		.4299	.4165		.4221	.3984
	.4017	.3751		.4080	.3916		.4221	.3984		.4147	.3814
7A	.4147	.3814	7B	.4221	.3984	7C	.4342	.4028	7D	.4259	.3853
	.4221	.3984		.4299	.4165		.4430	.4212		.4342	.4028
	.4342	.4028		.4430	.4212		.4562	.4260		.4465	.4071
	.4259	.3853		.4342	.4028		.4465	.4071		.4373	.3893
8A	.4373	.3893	8B	.4465	.4071	8C	.4582	.4099	8D	.4483	.3919
	.4465	.4071		.4562	.4260		.4687	.4289		.4582	.4099
	.4582	.4099		.4687	.4289		.4813	.4319		.4700	.4126
	.4483	.3919		.4582	.4099		.4700	.4126		.4593	.3944

PERFORMANCE GROUPS – DOMINANT WAVELENGTH

Color XLamp LEDs are tested for dominant wavelength (DWL) and placed into one of the DWL groups defined below.

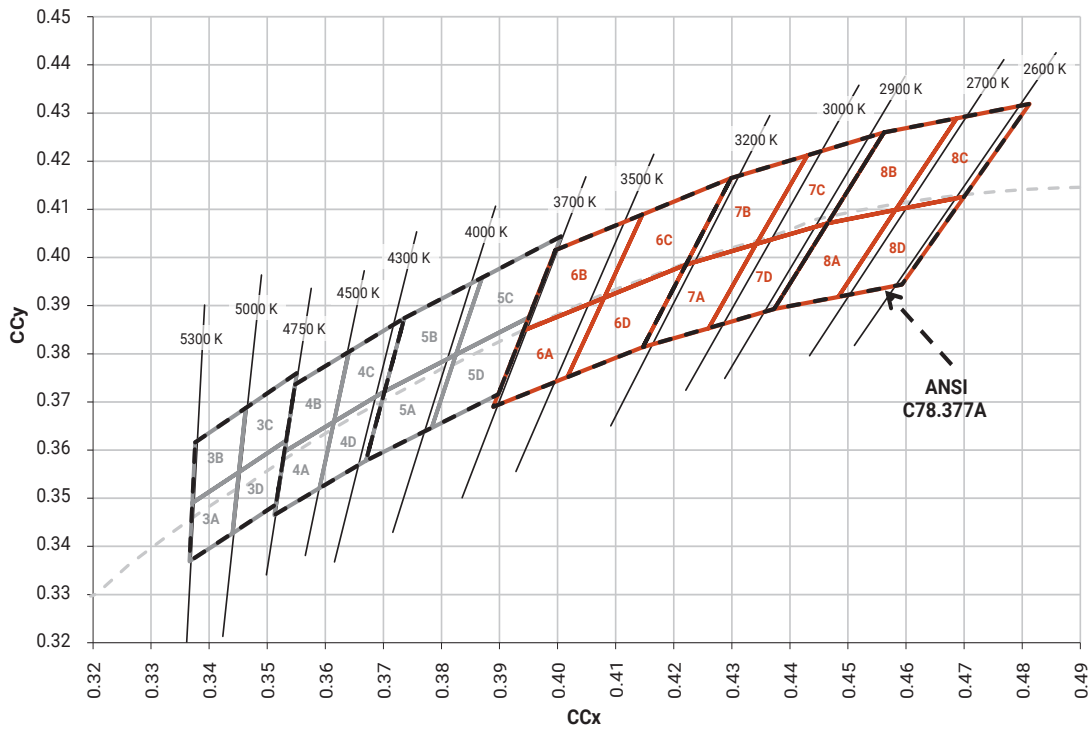
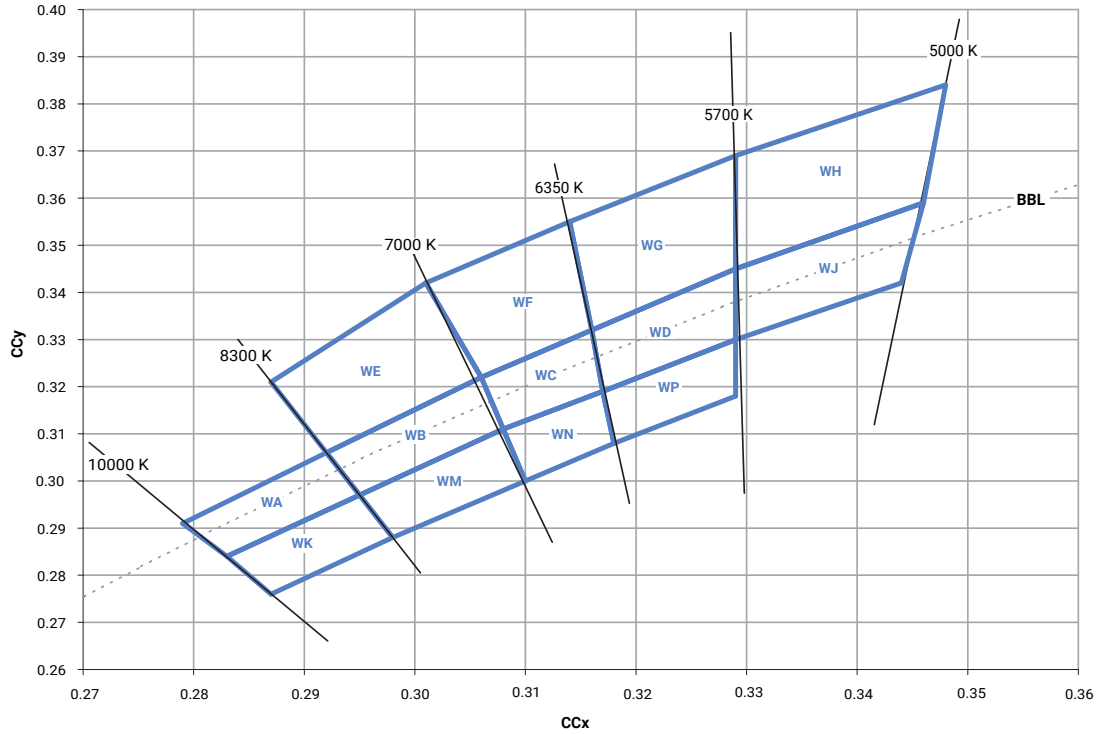
Color	DWL Group	Minimum DWL (nm) @ 350 mA	Maximum DWL (nm) @ 350 mA
Royal Blue	D3	450	455
	D4	455	460
	D5	460	465
Blue	B3	465	470
	B4	470	475
	B5	475	480
	B6	480	485
Green	G2	520	525
	G3	525	530
	G4	530	535
Amber	A2	585	590
	A3	590	595
Red-Orange	O3	610	615
	O4	615	620
Red	R2	620	625
	R3	625	630

PERFORMANCE GROUPS – FORWARD VOLTAGE

Amber, red-orange and red XLamp LEDs are tested for forward voltage and placed into one of the forward voltage groups defined below.

Forward Voltage Group	Minimum Forward Voltage @ 350 mA	Maximum Forward Voltage @ 350 mA
B	1.75	2.0
C	2.0	2.25
D	2.25	2.5

CREE'S STANDARD CHROMATICITY REGIONS PLOTTED ON THE 1931 CIE CURVE



STANDARD ORDER CODES AND BINS (XR-C COOL WHITE)

The following tables list standard kit numbers and performance bins. Kit numbers completely describe an order code's chromaticity regions and luminous flux range.

XLamp XR-C LED Standard Order Codes - White			
Minimum Luminous Flux (lm) @ 350 mA*		Chromaticity Regions	Kit Number
Group	Flux (lm)		
Cool White (5000 K – 10,000 K)			
P3	73.9	WA, WB, WC, WD, WE, WF, WG, WH, WJ, WK, WM, WN, WP	00801
		WC, WD, WF, WG	00802
		WC, WD, WF, WG, WH, WJ, WN, WP	00803
P4	80.6	WA, WB, WC, WD, WE, WF, WG, WH, WJ, WK, WM, WN, WP	00901
		WC, WD, WF, WG	00902
		WC, WD, WF, WG, WH, WJ, WN, WP	00903
Q2	87.4	WA, WB, WC, WD, WE, WF, WG, WH, WJ, WK, WM, WN, WP	00A01
		WC, WD, WF, WG	00A02
		WC, WD, WF, WG, WH, WJ, WN, WP	00A03
Q3	93.9	WA, WB, WC, WD, WE, WF, WG, WH, WJ, WK, WM, WN, WP	00B01
		WC, WD, WF, WG	00B02
		WC, WD, WF, WG, WH, WJ, WN, WP	00B03

For other flux and chromaticity combinations, contact Cree or an authorized distributor.

* Cree XLamp XR Family LED order codes specify only a minimum flux bin and not a maximum. Cree may ship reels in flux bins higher than the minimum specified by the order code without advance notice. Shipments will always adhere to the chromaticity or DWL bin restrictions specified by the order code.

STANDARD ORDER CODES AND BINS (XR-C NEUTRAL WHITE)

The following tables list standard kit numbers and performance bins. Kit numbers completely describe an order code's chromaticity regions and luminous flux range.

XLamp XR-C LED Standard Order Codes - White				
Minimum Luminous Flux (lm) @ 350 mA*		Chromaticity Regions	Kit Number	CCT
Group	Flux (lm)			
Neutral White (3700 K – 5000 K)				
N3	56.8	5C, 5D, 6A, 6B	005F6	3700 K
N4	62.0	4C, 4D, 5A, 5B	006F5	4300 K
		5A, 5B, 5C, 5D	006E5	4000 K
		5C, 5D, 6A, 6B	006F6	3700 K
P2	67.2	3A, 3B, 3C, 3D	007E3	5000 K
		3C, 3D, 4A, 4B	007F4	4750 K
		4A, 4B, 4C, 4D	007E4	4500 K
		4C, 4D, 5A, 5B	007F5	4300 K
		5A, 5B, 5C, 5D	007E5	4000 K
		5C, 5D, 6A, 6B	007F6	3700 K
P3	73.9	3A, 3B, 3C, 3D	008E3	5000 K
		3C, 3D, 4A, 4B	008F4	4750 K
		4A, 4B, 4C, 4D	008E4	4500 K
		4C, 4D, 5A, 5B	008F5	4300 K
		5A, 5B, 5C, 5D	008E5	4000 K
		5C, 5D, 6A, 6B	008F6	3700 K
P4	80.6	3A, 3B, 3C, 3D	009E3	5000 K
		3C, 3D, 4A, 4B	009F4	4750 K
		4A, 4B, 4C, 4D	009E4	4500 K
		4C, 4D, 5A, 5B	009F5	4300 K
		5A, 5B, 5C, 5D	009E5	4000 K
Q2	87.4	3A, 3B, 3C, 3D	00AE3	5000 K
		3C, 3D, 4A, 4B	00AF4	4750 K
		4A, 4B, 4C, 4D	00AE4	4500 K

For other flux and chromaticity combinations, contact Cree or an authorized distributor.

* Cree XLamp XR Family LED order codes specify only a minimum flux bin and not a maximum. Cree may ship reels in flux bins higher than the minimum specified by the order code without advance notice. Shipments will always adhere to the chromaticity or DWL bin restrictions specified by the order code.

STANDARD ORDER CODES AND BINS (XR-C WARM WHITE)

The following tables list standard kit numbers and performance bins. Kit numbers completely describe an order code's chromaticity regions and luminous flux range.

XLamp XR-C LED Standard Order Codes - White				
Minimum Luminous Flux (lm) @ 350 mA*		Chromaticity Regions	Kit Number	CCT
Group	Flux (lm)			
Warm White (2600 K – 3700 K)				
N2	51.7	7C, 7D, 8A, 8B	004F8	2900 K
		8A, 8B, 8C, 8D	004E8	2700 K
N3	56.8	6A, 6B, 6C, 6D	005E6	3500 K
		6C, 6D, 7A, 7B	005F7	3200 K
		7A, 7B, 7C, 7D	005E7	3000 K
		7C, 7D, 8A, 8B	005F8	2900 K
		8A, 8B, 8C, 8D	005E8	2700 K
N4	62.0	6A, 6B, 6C, 6D	006E6	3500 K
		6C, 6D, 7A, 7B	006F7	3200 K
		7A, 7B, 7C, 7D	006E7	3000 K
		7C, 7D, 8A, 8B	006F8	2900 K
		8A, 8B, 8C, 8D	006E8	2700 K
P2	67.2	6A, 6B, 6C, 6D	007E6	3500 K
		6C, 6D, 7A, 7B	007F7	3200 K
		7A, 7B, 7C, 7D	007E7	3000 K
P3	73.9	6A, 6B, 6C, 6D	008E6	3500 K

For other flux and chromaticity combinations, contact Cree or an authorized distributor.

* Cree XLamp XR Family LED order codes specify only a minimum flux bin and not a maximum. Cree may ship reels in flux bins higher than the minimum specified by the order code without advance notice. Shipments will always adhere to the chromaticity or DWL bin restrictions specified by the order code.

STANDARD ORDER CODES AND BINS (XR-C COLOR)

The following tables list standard kit numbers and performance bins. Kit numbers completely describe an order code's dominant-wavelength range and luminous- or radiant-flux range.

XLamp XR-C LED Standard Order Codes - Blue, Green, Amber, Red-Orange, Red							
Color	Minimum Luminous Flux (lm) @ 350 mA*		Dominant Wavelength (nm)				Kit Number
	Group	Flux (lm)	Minimum		Maximum		
			Group	DWL (nm)	Group	DWL (nm)	
Blue	G	13.9	B3	465	B4	475	00G01
	H	18.1	B3	465	B4	475	00H01
Green	M	39.8	G2	520	G4	535	00M01
			G2	520	G3	530	00M02
			G3	525	G4	535	00M03
	N	51.7	G2	520	G4	535	00N01
			G2	520	G3	530	00N02
			G3	525	G4	535	00N03
Amber	J	23.5	A2	585	A3	595	00J01
			A3	590	A3	595	00J03
	K2	30.6	A2	585	A3	595	00K01
			A3	590	A3	595	00K03
	M2	39.8	A2	585	A3	595	00M01
			A3	590	A3	595	00M03
Red-Orange	K2	30.6	O3	610	O4	620	00K01
			O3	610	O3	615	00K02
			O4	615	O4	620	00K03
	M2	39.8	O3	610	O4	620	00M01
			O3	610	O3	615	00M02
			O4	615	O4	620	00M03
Red	J	23.5	R2	620	R3	630	00J01
			R2	620	R2	625	00J02
	K2	30.6	R2	620	R3	630	00K01
			R2	620	R2	625	00K02
	M2	39.8	R2	620	R3	630	00M01
			R2	620	R2	625	00M02

For other flux and dominant wavelength combinations, contact Cree or an authorized distributor.

* Cree XLamp XR Family LED order codes specify only a minimum flux bin and not a maximum. Cree may ship reels in flux bins higher than the minimum specified by the order code without advance notice. Shipments will always adhere to the chromaticity or DWL bin restrictions specified by the order code.

STANDARD ORDER CODES AND BINS (XR-E COOL WHITE)

The following tables list standard kit numbers and performance bins. Kit numbers completely describe an order code's chromaticity regions and luminous flux range.

XLamp XR-E LED Standard Order Codes - White			
Minimum Luminous Flux (lm) @ 350 mA*		Chromaticity Regions	Kit Number
Group	Flux (lm)		
Cool White (5000 K – 10,000 K)			
P4	80.6	WA, WB, WC, WD, WE, WF, WG, WH, WJ, WK, WM, WN, WP	00901
		WC, WD, WF, WG	00902
		WC, WD, WF, WG, WH, WJ, WN, WP	00903
Q2	87.4	WA, WB, WC, WD, WE, WF, WG, WH, WJ, WK, WM, WN, WP	00A01
		WC, WD, WF, WG	00A02
		WC, WD, WF, WG, WH, WJ, WN, WP	00A03
Q3	93.9	WA, WB, WC, WD, WE, WF, WG, WH, WJ, WK, WM, WN, WP	00B01
		WC, WD, WF, WG	00B02
		WC, WD, WF, WG, WH, WJ, WN, WP	00B03
Q4	100	WA, WB, WC, WD, WE, WF, WG, WH, WJ, WK, WM, WN, WP	00C01
		WC, WD, WF, WG	00C02
		WC, WD, WF, WG, WH, WJ, WN, WP	00C03
Q5	107	WA, WB, WC, WD, WE, WF, WG, WH, WJ, WK, WM, WN, WP	00D01
		WC, WD, WF, WG	00D02
		WC, WD, WF, WG, WH, WJ, WN, WP	00D03
R2	114	WA, WB, WC, WD, WE, WF, WG, WH, WJ, WK, WM, WN, WP	00E01
		WC, WD, WF, WG	00E02
		WC, WD, WF, WG, WH, WJ, WN, WP	00E03

For other flux and chromaticity combinations, contact Cree or an authorized distributor.

* Cree XLamp XR Family LED order codes specify only a minimum flux bin and not a maximum. Cree may ship reels in flux bins higher than the minimum specified by the order code without advance notice. Shipments will always adhere to the chromaticity or DWL bin restrictions specified by the order code.

STANDARD ORDER CODES AND BINS (XR-E NEUTRAL WHITE)

The following tables list standard kit numbers and performance bins. Kit numbers completely describe an order code's chromaticity regions and luminous flux range.

XLamp XR-E LED Standard Order Codes - White				
Minimum Luminous Flux (lm) @ 350 mA*		Chromaticity Regions	Kit Number	CCT
Group	Flux (lm)			
Neutral White (3700 K - 5000 K)				
N4	62.0	5C, 5D, 6A, 6B	006F6	3700 K
P2	67.2	4C, 4D, 5A, 5B	007F5	4300 K
		5A, 5B, 5C, 5D	007E5	4000 K
		5C, 5D, 6A, 6B	007F6	3700 K
P3	73.9	3A, 3B, 3C, 3D	008E3	5000 K
		3C, 3D, 4A, 4B	008F4	4750 K
		4A, 4B, 4C, 4D	008E4	4500 K
		4C, 4D, 5A, 5B	008F5	4300 K
		5A, 5B, 5C, 5D	008E5	4000 K
		5C, 5D, 6A, 6B	008F6	3700 K
P4	80.6	3A, 3B, 3C, 3D	009E3	5000 K
		3C, 3D, 4A, 4B	009F4	4750 K
		4A, 4B, 4C, 4D	009E4	4500 K
		4C, 4D, 5A, 5B	009F5	4300 K
		5A, 5B, 5C, 5D	009E5	4000 K
		5C, 5D, 6A, 6B	009F6	3700 K
Q2	87.4	3A, 3B, 3C, 3D	00AE3	5000 K
		3C, 3D, 4A, 4B	00AF4	4750 K
		4A, 4B, 4C, 4D	00AE4	4500 K
		4C, 4D, 5A, 5B	00AF5	4300 K
		5A, 5B, 5C, 5D	00AE5	4000 K
		5C, 5D, 6A, 6B	00AF6	3700 K
Q3	93.9	3A, 3B, 3C, 3D	00BE3	5000 K
		3C, 3D, 4A, 4B	00BF4	4750 K
		4A, 4B, 4C, 4D	00BE4	4500 K
		4C, 4D, 5A, 5B	00BF5	4300 K
		5A, 5B, 5C, 5D	00BE5	4000 K
Q4	100	3A, 3B, 3C, 3D	00CE3	5000 K
		3C, 3D, 4A, 4B	00CF4	4750 K
		4A, 4B, 4C, 4D	00CE4	4500 K

For other flux and chromaticity combinations, contact Cree or an authorized distributor.

* Cree XLamp XR Family LED order codes specify only a minimum flux bin and not a maximum. Cree may ship reels in flux bins higher than the minimum specified by the order code without advance notice. Shipments will always adhere to the chromaticity or DWL bin restrictions specified by the order code.

STANDARD ORDER CODES AND BINS (XR-E WARM WHITE)

The following tables list standard kit numbers and performance bins. Kit numbers completely describe an order code's chromaticity regions and luminous flux range.

XLamp XR-E LED Standard Order Codes - White				
Minimum Luminous Flux (lm) @ 350 mA*		Chromaticity Regions	Kit Number	CCT
Group	Flux (lm)			
Warm White (2600 K - 3700 K)				
N3	56.8	6C, 6D, 7A, 7B	005F7	3200 K
		7A, 7B, 7C, 7D	005E7	3000 K
		7C, 7D, 8A, 8B	005F8	2900 K
		8A, 8B, 8C, 8D	005E8	2700 K
N4	62.0	6A, 6B, 6C, 6D	006E6	3500 K
		6C, 6D, 7A, 7B	006F7	3200 K
		7A, 7B, 7C, 7D	006E7	3000 K
		7C, 7D, 8A, 8B	006F8	2900 K
P2	67.2	8A, 8B, 8C, 8D	006E8	2700 K
		6A, 6B, 6C, 6D	007E6	3500 K
		6C, 6D, 7A, 7B	007F7	3200 K
		7A, 7B, 7C, 7D	007E7	3000 K
P3	73.9	7C, 7D, 8A, 8B	007F8	2900 K
		8A, 8B, 8C, 8D	007E8	2700 K
		6A, 6B, 6C, 6D	008E6	3500 K
		6C, 6D, 7A, 7B	008F7	3200 K
P4	80.6	7A, 7B, 7C, 7D	008E7	3000 K
		7C, 7D, 8A, 8B	008F8	2900 K
		8A, 8B, 8C, 8D	008E8	2700 K
		6A, 6B, 6C, 6D	009E6	3500 K
Q2	87.4	6C, 6D, 7A, 7B	009F7	3200 K
		7A, 7B, 7C, 7D	009E7	3000 K
		6A, 6B, 6C, 6D	00AE6	3500 K

For other flux and chromaticity combinations, contact Cree or an authorized distributor.

* Cree XLamp XR Family LED order codes specify only a minimum flux bin and not a maximum. Cree may ship reels in flux bins higher than the minimum specified by the order code without advance notice. Shipments will always adhere to the chromaticity or DWL bin restrictions specified by the order code.

STANDARD ORDER CODES AND BINS (XR-E COLOR)

The following tables list standard kit numbers and performance bins. Kit numbers completely describe an order code's dominant-wavelength range and luminous- or radiant-flux range.

XLamp XR-E LED Standard Order Codes - Royal Blue							
Color	Minimum Radiant Flux (mW) @ 350 mA*		Dominant Wavelength (nm)				Kit Number
	Group	Flux (mW)	Minimum		Maximum		
			Group	DWL (nm)	Group	DWL (nm)	
Royal Blue	12	250	D3	450	D5	465	00701
			D3	450	D4	460	00702
			D4	455	D5	465	00703
	13	300	D3	450	D5	465	00801
			D3	450	D4	460	00802
			D4	455	D5	465	00803
	14	350	D3	450	D5	465	00901
			D3	450	D4	460	00902
			D4	455	D5	465	00903
	15	425	D3	450	D5	465	00A01
			D3	450	D4	460	00A02
			D4	455	D5	465	00A03

XLamp XR-E LED Standard Order Codes - Blue and Green							
Color	Minimum Radiant Flux (mW) @ 350 mA*		Dominant Wavelength (nm)				Kit Number
	Group	Flux (mW)	Minimum		Maximum		
			Group	DWL (nm)	Group	DWL (nm)	
Blue	J	23.5	B3	465	B6	485	00J01
			B3	465	B5	480	00J02
			B4	470	B5	480	00J03
			B3	465	B4	475	00J04
	K	30.6	B3	465	B6	485	00K01
			B3	465	B5	480	00K02
			B4	470	B5	480	00K03
			B3	465	B4	475	00K04
Green	P	67.2	G2	520	G4	535	00P01
			G2	520	G3	530	00P02
			G3	525	G4	535	00P03

For other flux and dominant wavelength combinations, contact Cree or an authorized distributor.

* Cree XLamp XR Family LED order codes specify only a minimum flux bin and not a maximum. Cree may ship reels in flux bins higher than the minimum specified by the order code without advance notice. Shipments will always adhere to the chromaticity or DWL bin restrictions specified by the order code.