

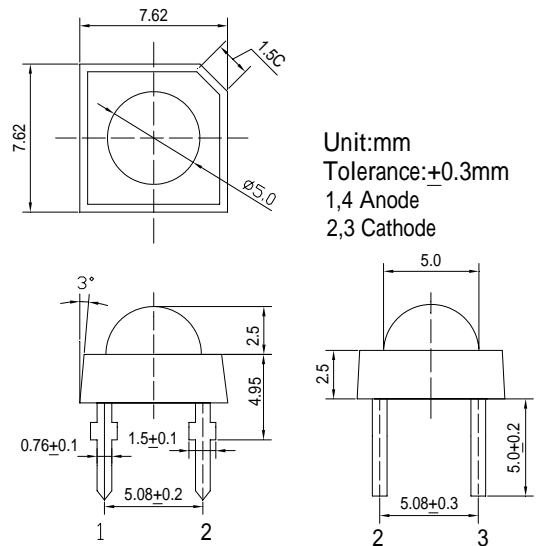
■Features

- High Luminous Super Flux Output
- 5 ° Standard Directivity
- Long Lifetime Operation
- Superior Weather-Resistance
- UV Resistant Epoxy
- Water Clear Type
- Luminous efficiency : 133lm/W @ 50mA

■Applications

- Interior and exterior automotive lighting (e.g. dashboard backlighting etc.)
- Backlighting (Illuminated advertising, general lighting, etc)
- Decorative Lighting
- Other Lighting

■Outline Dimension



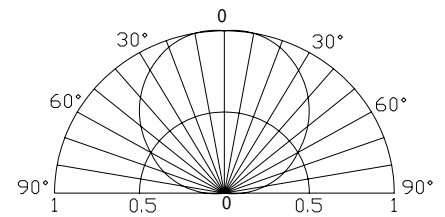
■Absolute Maximum Rating

(Ta=25 °C)

Item	Symbol	Value	Unit
DC Forward Current	I _F	100	mA
Pulse Forward Current*	I _{FP}	120	mA
Reverse Voltage	V _R	5	V
Power Dissipation	P _D	252	mW
Operating Temperature	Topr	-30 ~ +85	
Storage Temperature	Tstg	-40 ~ +100	
Lead Soldering Temperature	Tsol	260 / 5sec	-

*Pulse width Max.10ms , Duty ratio max 1/10

■Directivity



■Electrical -Optical Characteristics

(Ta=25 °C)

Item	Symbol	Condition	Min.	Typ.	Max.	Unit
DC Forward Voltage	V _F	I _F =50mA	2.9	3.1	3.6	V
Power Dissipation	P _D	I _F =50mA	145	155	-	mW
DC Reverse Current	I _R	V _R =5V	-	-	10	μA
Luminous Intensity*	I _v	I _F =50mA	10000	14400	-	mcd
Luminous Flux	v	I _F =50mA	19	20.5	-	lm
		I _F =70mA	25	27	-	
Color Temperature	CCT	I _F =50mA	-	6500	-	K
Chromaticity Coordinates*	x	I _F =50mA	-	0.313	-	
	y	I _F =50mA	-	0.330	-	
50% Power Angle	2θ _{1/2}	I _F =50mA	-	120	-	deg

*1 Tolerance of chromaticity coordinate is ±10%

*2 Tolerance of luminous intensity is ±15%