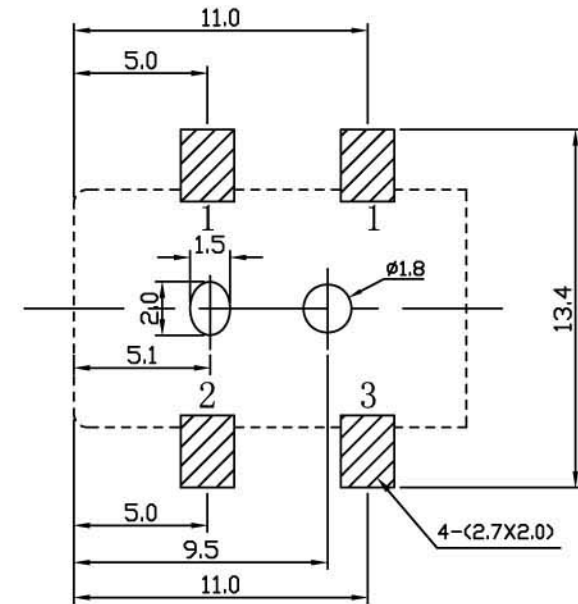
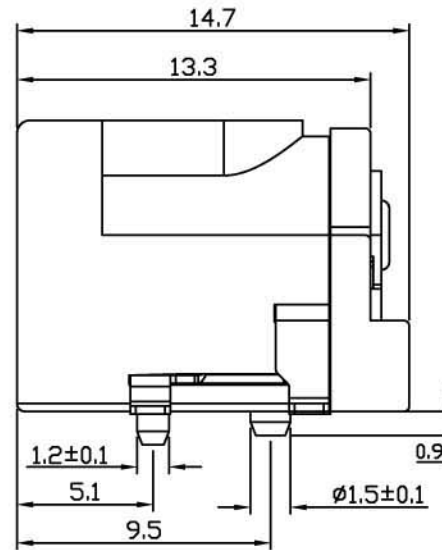
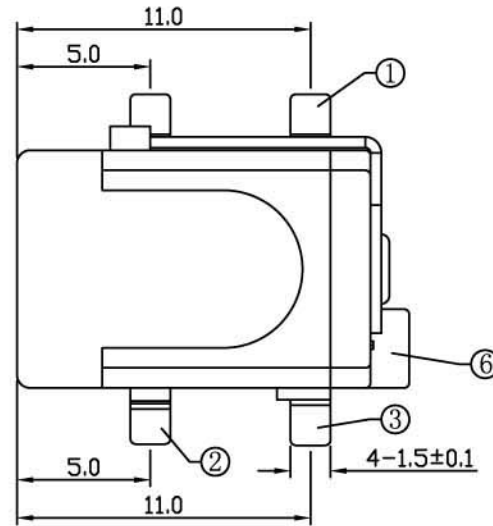


SCHEMATIC		
YDJ-BG0006.1302A	∅2.0	
YDJ-BG0006.1302B	∅2.5	

UNLESS OTHERWISE SPECIFIED, TOLERANCE ON DECIMAL:±0.2



T:1.6 Dimensions of PC board holes  
Tolerance : ±0.1(Printed-top view)

LEAD FREE

LTR	PART NAME	QTY	MATERIAL	REMARK
6	COVER	1	PA9T	UL-94V0(BLACK)
5	HOUSING	1	PA9T	UL-94V0(BLACK)
4	PIN	1	H59(COPPER ALLOY)	MB:Cu Cn/Sn PLATED
3	CURVE PIECE	1	C2680 t=0.40	MB:Cu Sn PLATED
2	SPRING	1	C5191 t=0.30	MB:Cu Sn PLATED
1	CURVE PIECE	1	C2680 t=0.40	MB:Cu Sn PLATED

Rev.	Date	Description	P/N	YDJ-BG0006.1302A/B	Remark
Title DC POWER JACK			Dwg. No.	YDJBG0006.130201	
Date	20130515	Rev.	A	RoHS	✓
Unless otherwise specified, dimensions are in millimeters.			File	AVT022	Drw. b29 App. b29