

SMD terminal block with push-buttons in tape-and-reel packing; 2-pole; Pin spacing 4 mm / 0.157 in



Item No.: 2060-402/998-404

SMD terminal block with push-buttons in tape-and-reel packing; 2-pole; Pin spacing 4 mm / 0.157 in

Marking

RoHS ✓
Compliant

Business data

Supplier	WAGO
Supplier part no.	2060-402/998-404
EAN	4050821377863
Content	1
Order amount	1000
SAP material no.	

Notes:

- SMD PCB terminal blocks with CAGE CLAMP[®]S connection and push-buttons
- A total height of only 4.5mm helps reduce shadowing in LED applications
- Available in tape-and-reel packaging for automated assembly

Technical data

Miscellaneous

No. of Poles	2
Total number of connection points	2
Total number of potentials	2
Color	light gray
Rating per	IEC/EN 60664-1
Overvoltage category EN 1	III
Pollution degree (1)	2
Rated voltage EN (1) [V]	160 [V]

Technical data	
Rated surge voltage (1) [kV]	2.5 [kV]
Nominal current [A]	9 [A]
Overvoltage category EN 2	II
Degree of pollution (2)	2
Rated voltage EN (2) [V]	320 [V]
Bemessungsstossspannung (2) [kV]	2.5 [kV]
Nominal current (2) [A]	9 [A]
Overvoltage category EN 3	III
Degree of pollution (3)	3
Rated voltage EN (3) [V]	63 [V]
Rated surge voltage (3) [kV]	2.5 [kV]
Nominal current (3) [A]	9 [A]
Connection technology (1)	CAGE CLAMP [®] S
Conductor type (1)	solid
Cross section from (1) [mm ²]	0.2 [mm ²]
Cross section up to (1) [mm ²]	0.75 [mm ²]
Cross section from (1) [AWG]	24 [AWG]
Cross section up to (1) [AWG]	18 [AWG]
Conductor type (2)	fine-stranded
Cross section from (2) [mm ²]	0.2 [mm ²]
Cross section up to (2) [mm ²]	0.75 [mm ²]
Cross section from (2) [AWG]	24 [AWG]
Cross section up to (2) [AWG]	18 [AWG]
Stripped length from (1) [mm]	6 [mm]
Stripped length up to (1) [mm]	7 [mm]
Strip length from [inch] [in]	0.24 [in]
Strip length up to [inch] [in]	0.28 [in]
Stripped length (1) [in]	0.26 [in]
Material group	I
Insulating material	Polyphthalamide glass fiber (PPA-GF)
Flammability rating per UL 94	V0
Lower limit temperature [C]	-60 [C]
Upper temperature limit [C]	105 [C]
Contact material	Copper alloy
Contact plating	tin-plated
Weight [g]	0.881 [g]
Width [mm]	7.9 [mm]
Width [in]	0.311 [in]
Height [mm]	4.5 [mm]
Height [in]	0.177 [in]
Length [mm]	13.1 [mm]

Technical data

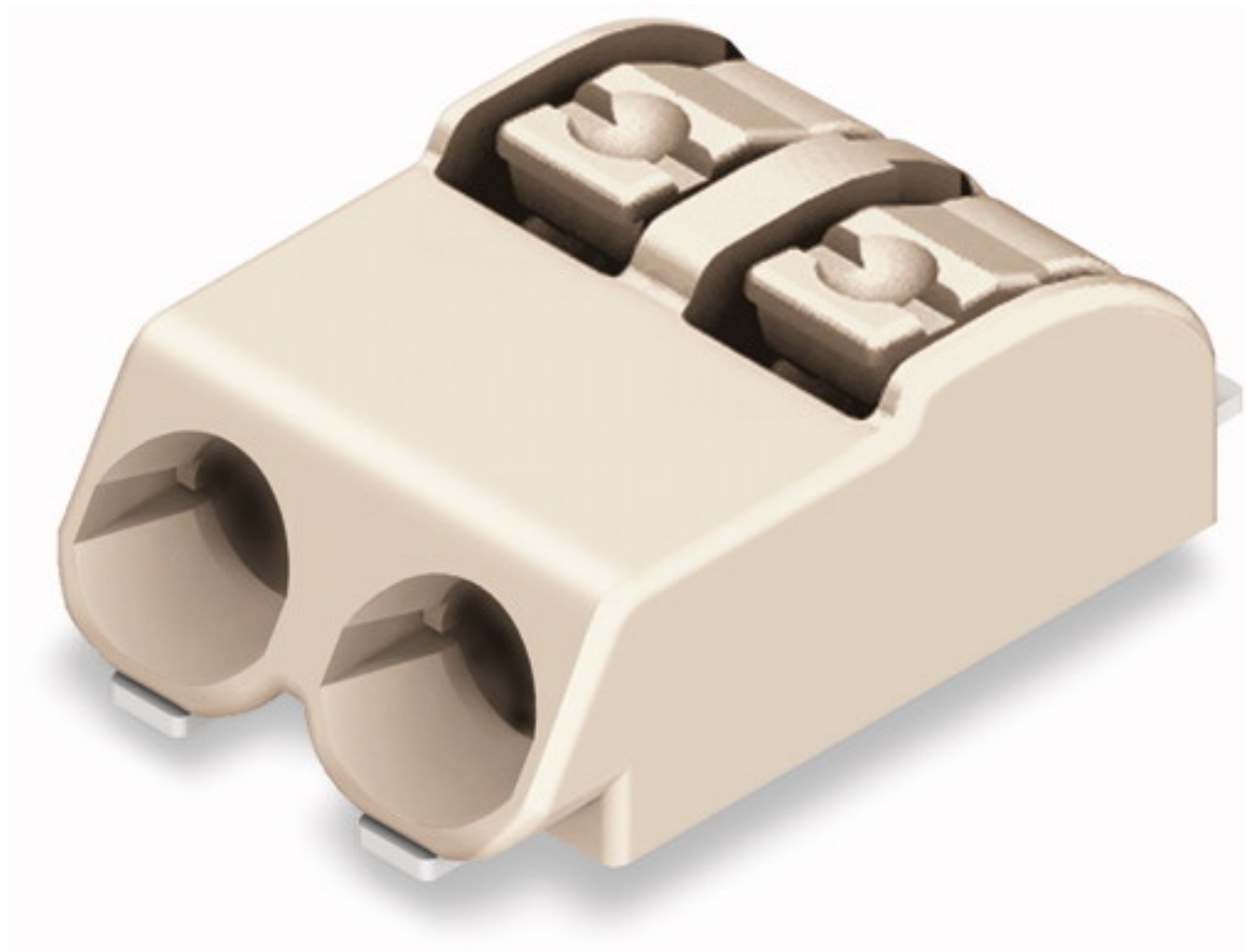
Length [in]	0.516 [in]
Pin spacing from [mm]	4 [mm]
Pin spacing from [in]	0.157 [in]

Approbation

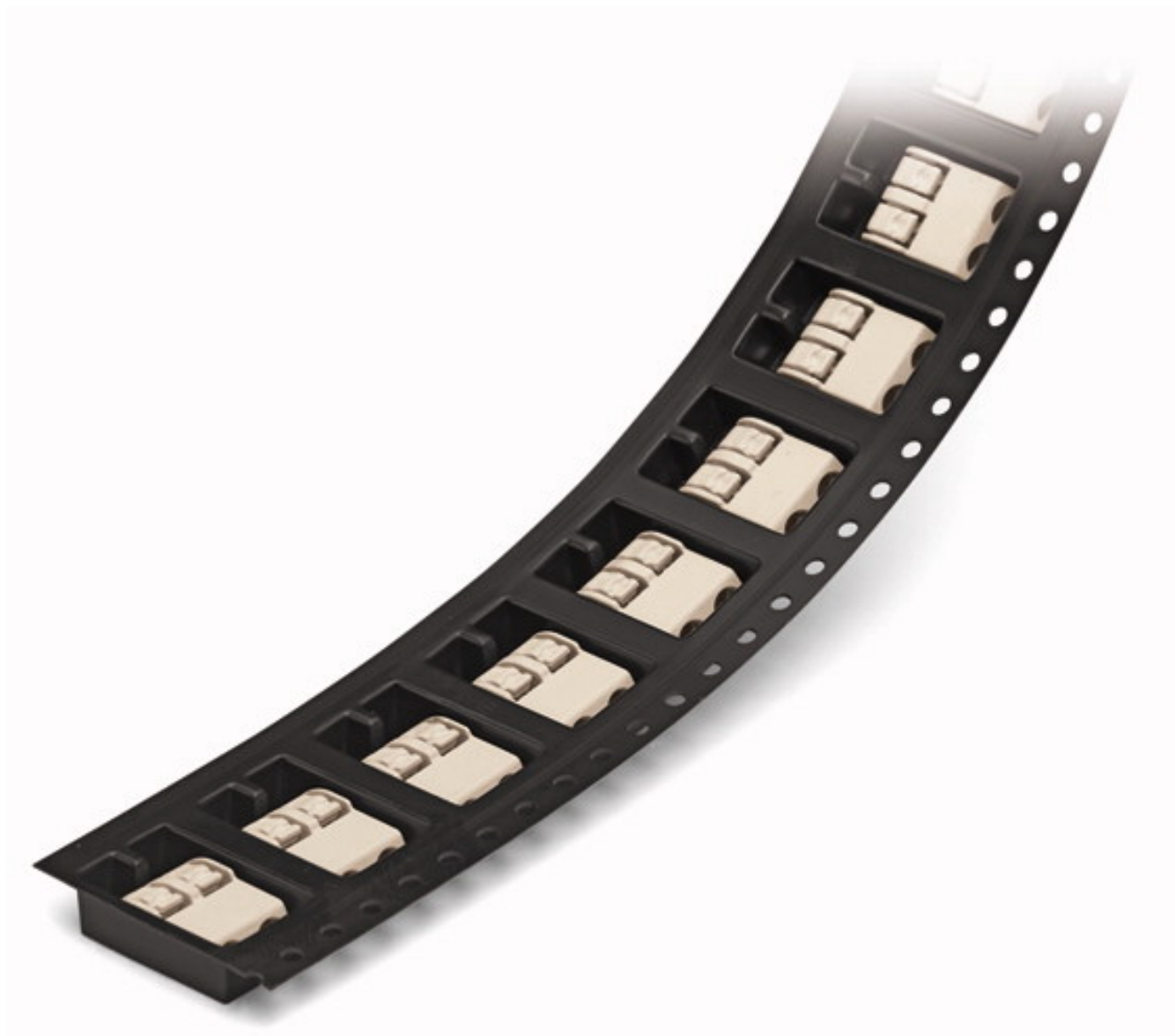
Item no.	Registration office	Registration no.	Voltage [V]	Current [A]	Cross section [mm ² , AWG]
2060-402/998-404	UR	E45171	250	9	24-18

Diagrams

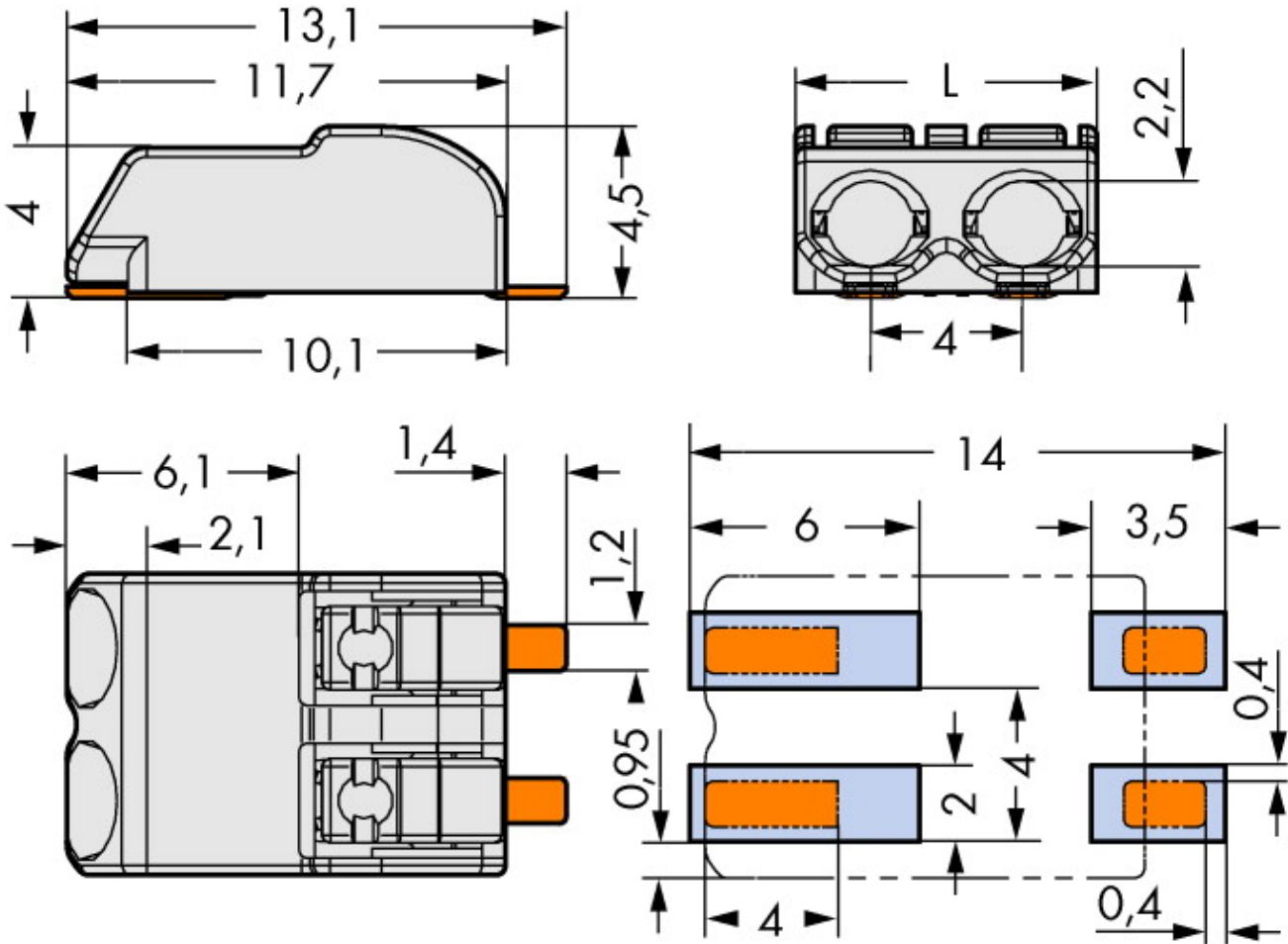
Detail images



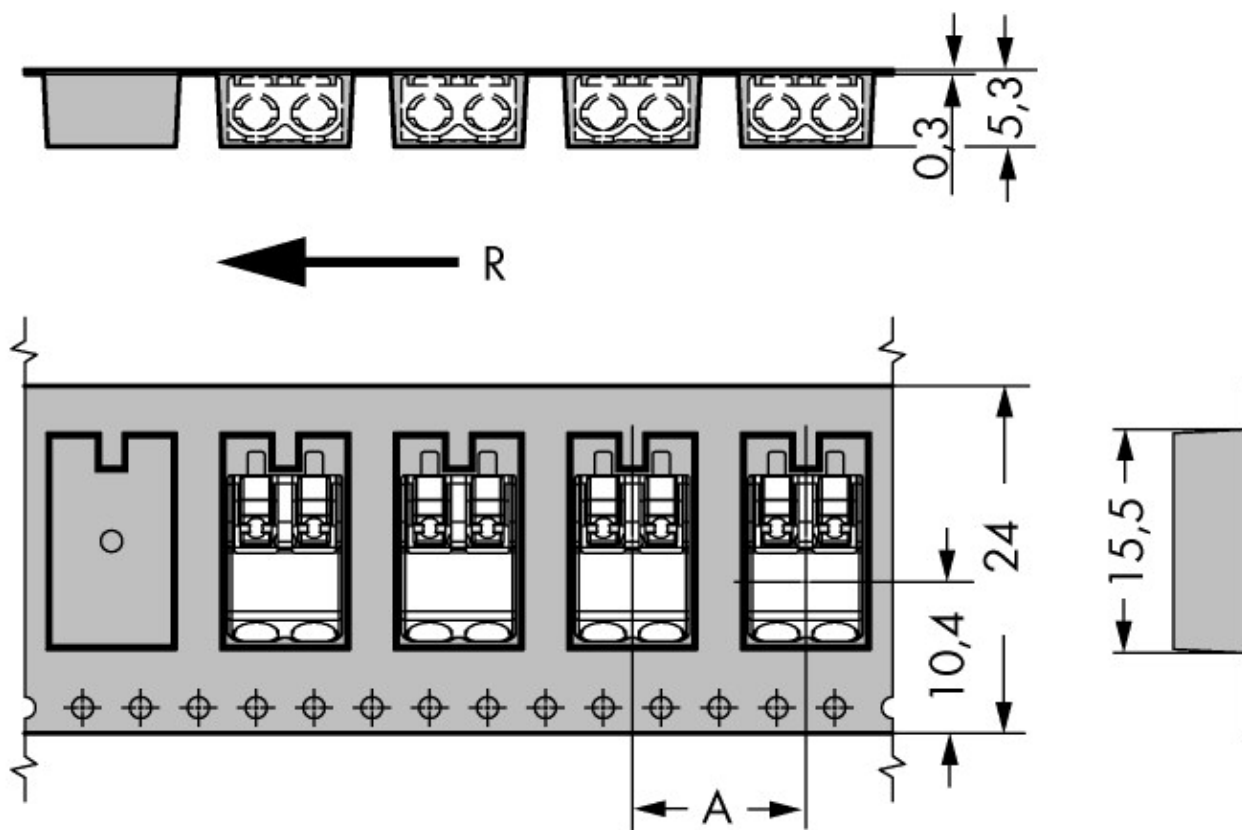
Diagrams



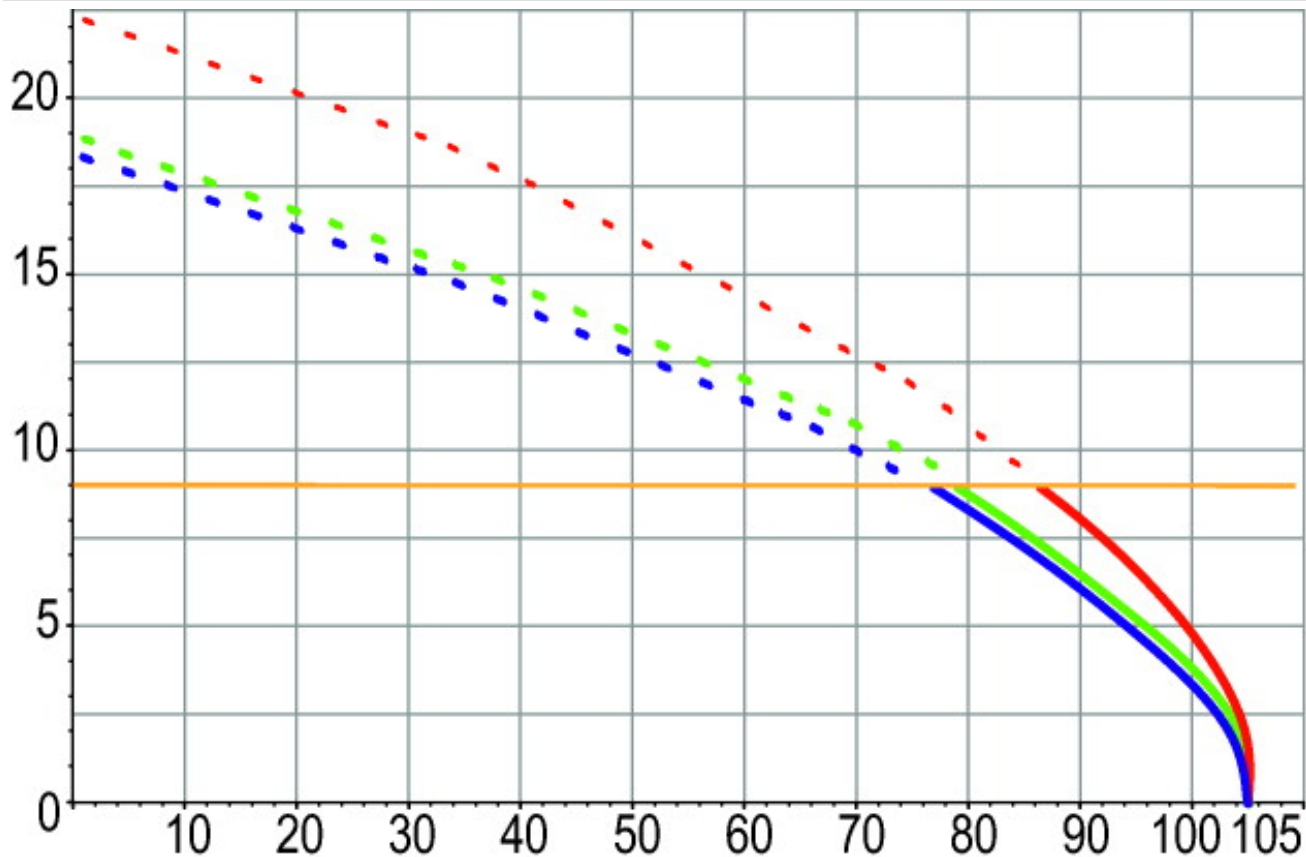
Diagrams



Diagrams



Diagrams



Address

WAGO Kontakttechnik GmbH & Co. KG
Hansastr. 27
32423 Minden
Phone: 0571/887-0
Fax: 0571/887-169
<http://www.wago.com>



© 2011 WAGO INNOVATIVE CONNECTIONS
Technical changes reserved