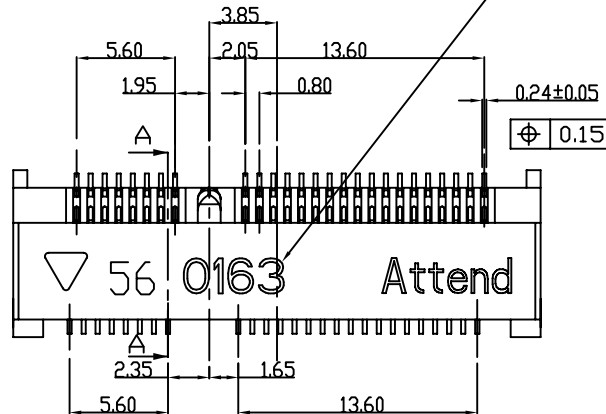
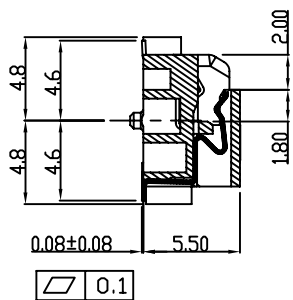
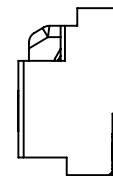


SECTION A-A



DATE CODE: 0163 (YWW)  
 Y: 0 YEAR(2010)  
 WW:16 WEEK(01~52)  
 D: 3 DAY(01~07)



PRODUCT NO.	ITEM	PART NAME	Q'TY	MATERIAL	PLATING
119A-56A00-R02	1	BODY	1	LCP	
	2	CONTACT	52	PHOSPHOR BRONZE	GOLD 1u"
	3	HOLD DOWN	2	BRASS	TIN 100u"

Material

Plastic Body : LCP, Color Black.  
 Contact : Phosphor Bronze Alloy (C5191R-H)  
 Contacts Plating: Contact area: Gold Plated  
 Solder area: Tin

Hold Down : Brass(C2680R-H)  
 Hold Down Plating: Tin

Electrical:

Rating Current: 0.5A(Max.)/(1PIN)  
 Rating Voltage: 50V AC  
 Contact Resistance: 30 mΩ (Max)  
 Insulation Resistance: 500 MΩ (Min.)

Mechanical:

Contact Normal Force: 50 gf per pin (Min.)  
 Durability: 100 mating and unmating cycles

Environmental:

Operating Temperature: -40°C to +90°C  
 Storage Temperature: -40°C to +90°C  
 Solder ability: 260±5°C

PRODUCT NUMBER:

119A-56 A 0 0-R02  
 1 2 3 4

1.Stand off  
 56: 5.6mm

2.Contact plating  
 A:gold flash

3.Color  
 0:black

4.RoHS

UNLESS OTHERWISE SPECIFIED TOLERANCE		
ANGLES	ANG.	±5°
LINEAR	0.	±0.3
	0.0	±0.25
	0.00	±0.20
SCALE	AS SHOWN	UNIT: mm
DRAWN	Willis	2012/08/03
CHECKED	Angel	2012/08/03
APPROVED	Ken	2012/08/03



www.attend.com.tw

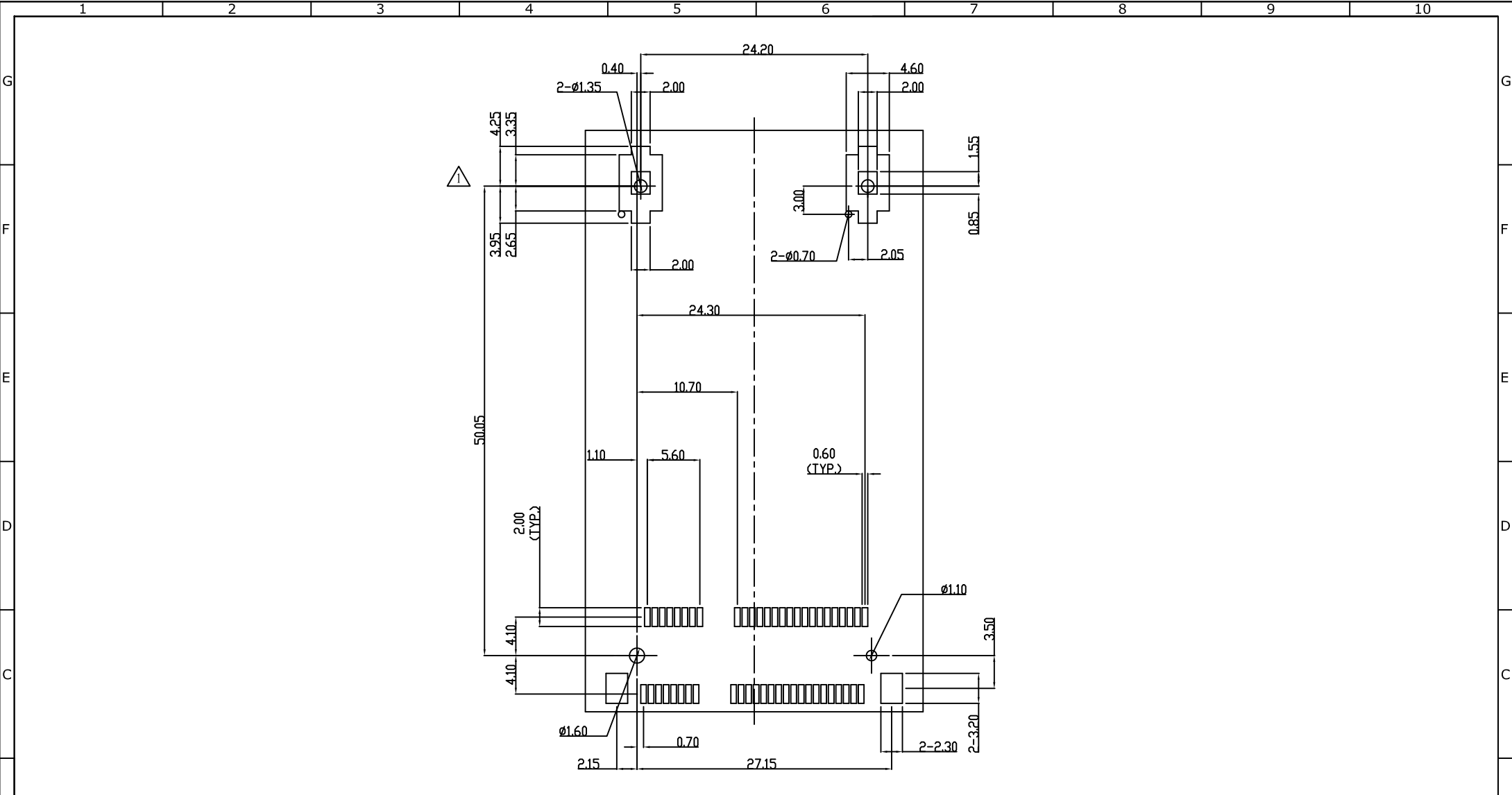
DRAWN NAME: Mini PCI Express Socket H:5.6mm

PRODUCT NO. 119A-56A00-R02  
 FILE NAME 119A-56A00-R02\_B\_4


REV.	DESCRIPTION	DATE	REV.	DESCRIPTION	DATE
3	Revise:				
2	Revise: Date Code	2010/04/30			
1	Revise: Latch Layout	2010/01/15			

A

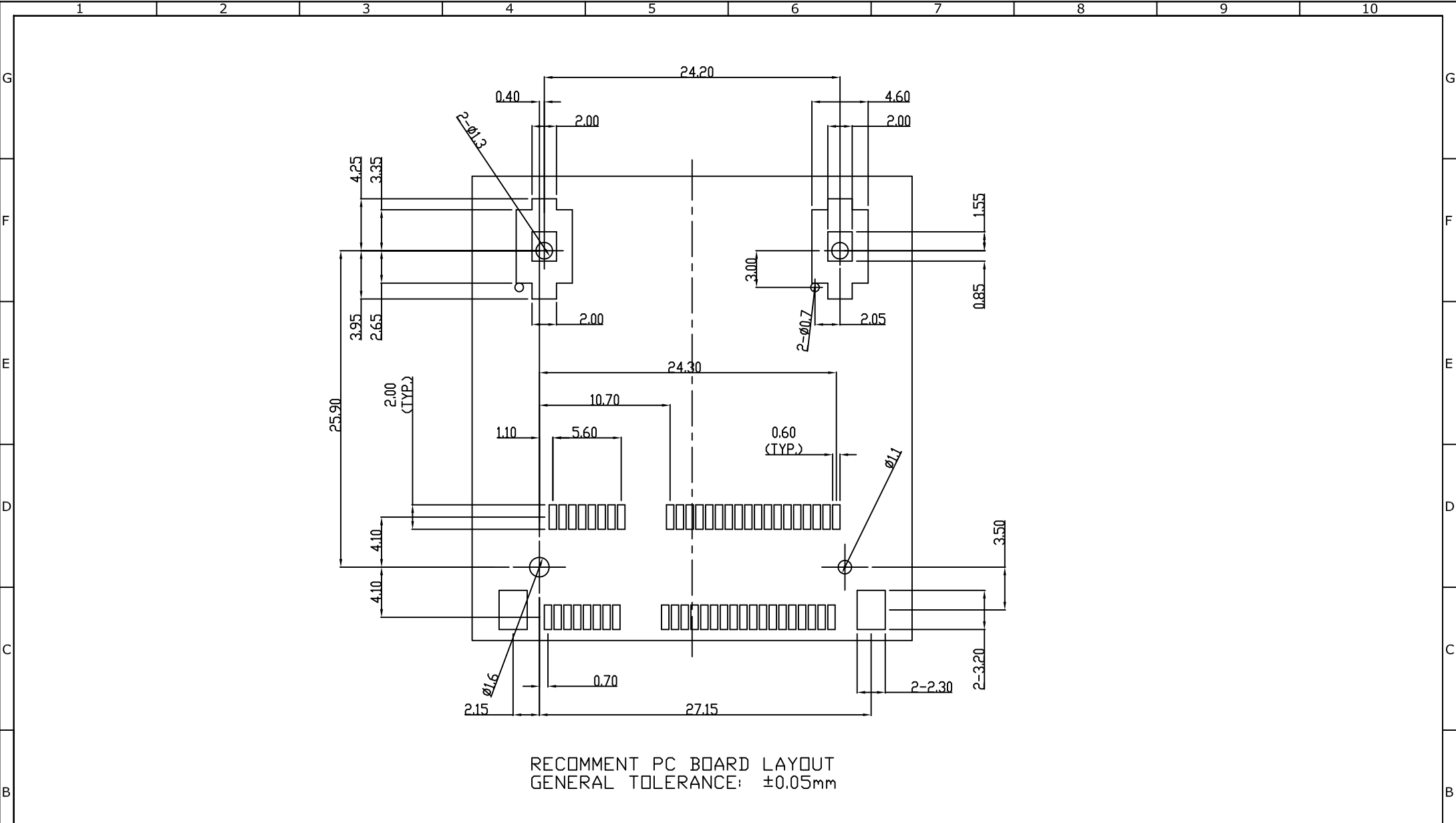
A



RECOMMEND PC BOARD LAYOUT  
GENERAL TOLERANCE: ±0.05mm

						UNLESS OTHERWISE SPECIFIED TOLERANCE				
						ANGLES	ANG.	±5°		
						LINEAR	0.	±0.3		
							0.00	±0.20		
						SCALE	AS SHOWN	UNIT: mm	www.attend.com.tw	
						DRAWN	Willis	2012/08/03	DRAWN NAME:	
						CHECKED	Angel	2012/08/03	Mini PCI Express Socket H:5.6mm	
						APPROVED	Ken	2012/08/03	PRODUCT NO.	119A-56A00-R02
REV.	DESCRIPTION		DATE	REV.	DESCRIPTION	DATE	 SIZE A4	REV. 1.0	FILE NAME	119A-56A00-R02_B_4
1										





RECOMMEND PC BOARD LAYOUT  
GENERAL TOLERANCE: ±0.05mm

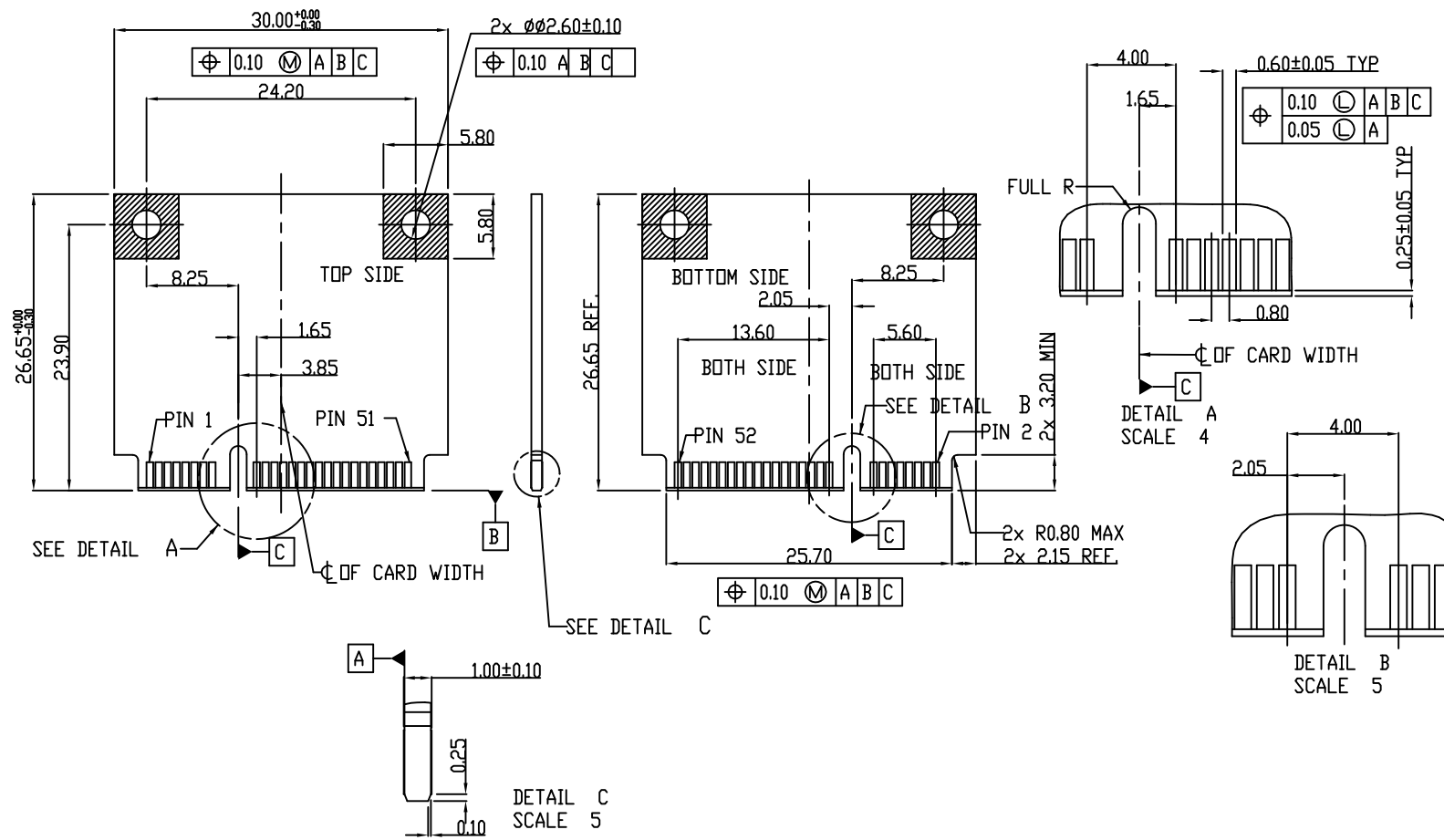
						UNLESS OTHERWISE SPECIFIED TOLERANCE			 www.attend.com.tw	
						ANGLES	ANG.	±5°		
						LINEAR	0.	±0.3		
							0.00	±0.20		
						SCALE	AS SHOWN	UNIT: mm	DRAWN NAME: Willis	
						DRAWN	Willis	2012/08/03	Mini PCI Express Socket H:5.6mm	
						CHECKED	Angel	2012/08/03	PRODUCT NO. 119A-56A00-R02	
						APPROVED	Ken	2012/08/03	FILE NAME 119A-56A00-R02_B_4	
REV.	DESCRIPTION		DATE	REV.	DESCRIPTION	DATE	SIZE A4	REV. 1.0		
1										

A

A

A

A



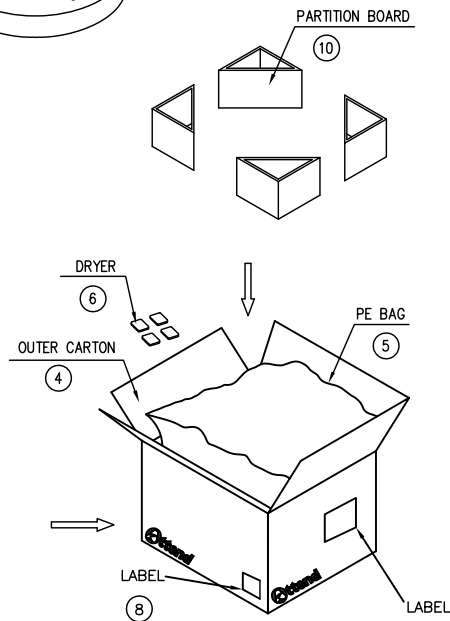
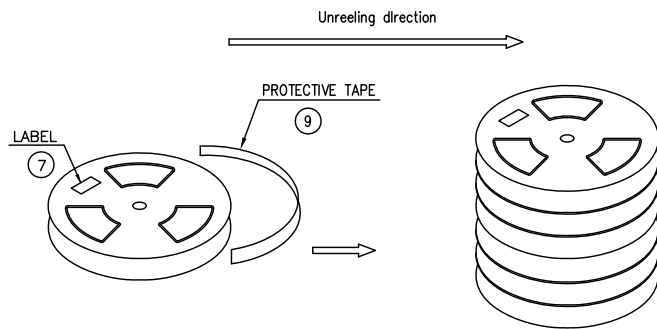
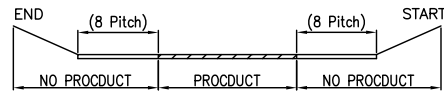
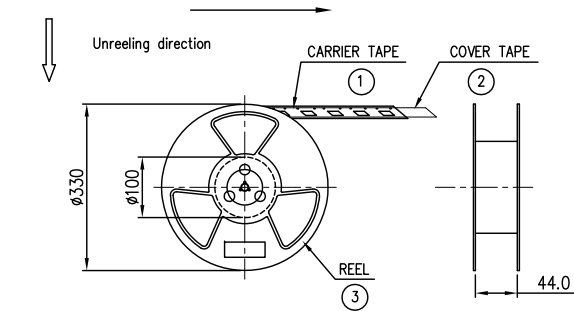
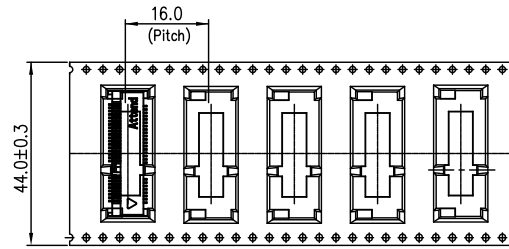
				UNLESS OTHERWISE SPECIFIED TOLERANCE			 www.attend.com.tw	
				ANGLES	ANG.	±5°	DRAWN NAME: Mini PCI Express Socket H:5.6mm	
				LINEAR	0.	±0.3		
					0.0	±0.25		
				SCALE	AS SHOWN	UNIT: mm	PRODUCT NO. 119A-56A00-R02 FILE NAME 119A-56A00-R02_B_4	
				DRAWN	Willis	2012/08/03		
				CHECKED	Angel	2012/08/03		
				APPROVED	Ken	2012/08/03	REV. 1.0	
REV.	DESCRIPTION	DATE	REV.	DESCRIPTION	DATE	SIZE A4		
1								
2								
3								
4								
5								
6								
7								
8								
9								
10								

3

1

1

1



NOTES:  
1. PACKING STYLE:

119A-40A00-R02  
700 PCS/REEL  
4200 PCS/OUTER CARTON

119A-56A00-R02  
550 PCS/REEL  
3300 PCS/OUTER CARTON

119A-80A00-R02  
400 PCS/REEL  
2400 PCS/OUTER CARTON

① ②  
119A-92A00-R02  
300 PCS/REEL  
1800 PCS/OUTER CARTON

2. MATERIAL CARRIER TAPE: PS BLACK  
COVER TAPE: PET FILM  
REEL: PLASTIC

3. PEEL STRENGTH OF COVER TAPE: 20-80g (PEEL SPEED 300mm/MINUTE).

10	PARTITION BOARD	4	PCS		
9	PROTECTIVE TAPE	3	PCS		
8	LABEL	1	PCS		
7	LABEL	6	PCS		
6	DRYER	4	BAG		
5	PE BAG	1	PCS	L850*W750mm	
4	OUTER CARTON	1	PCS		
3	REEL	6	SET	φ330*100mm, W=44mm	
2	COVER TAPE	SEE NOTES	6	PCS	W=37.5mm
1	CARRIER TAPE			PCS/R/R/BOX	W=44mm, T=0.35mm
NO	PACKING NAME			UNIT	NOTE

UNLESS OTHERWISE SPECIFIED TOLERANCE		
ANGLES	ANG.	±5°
LINEAR	0.	±0.3
	0.0	±0.25
	0.00	±0.20
SCALE	AS SHOWN	UNIT: mm
DRAWN	Willis	2012/08/03
CHECKED	Angel	2012/08/03
APPROVED	Ken	2012/08/03

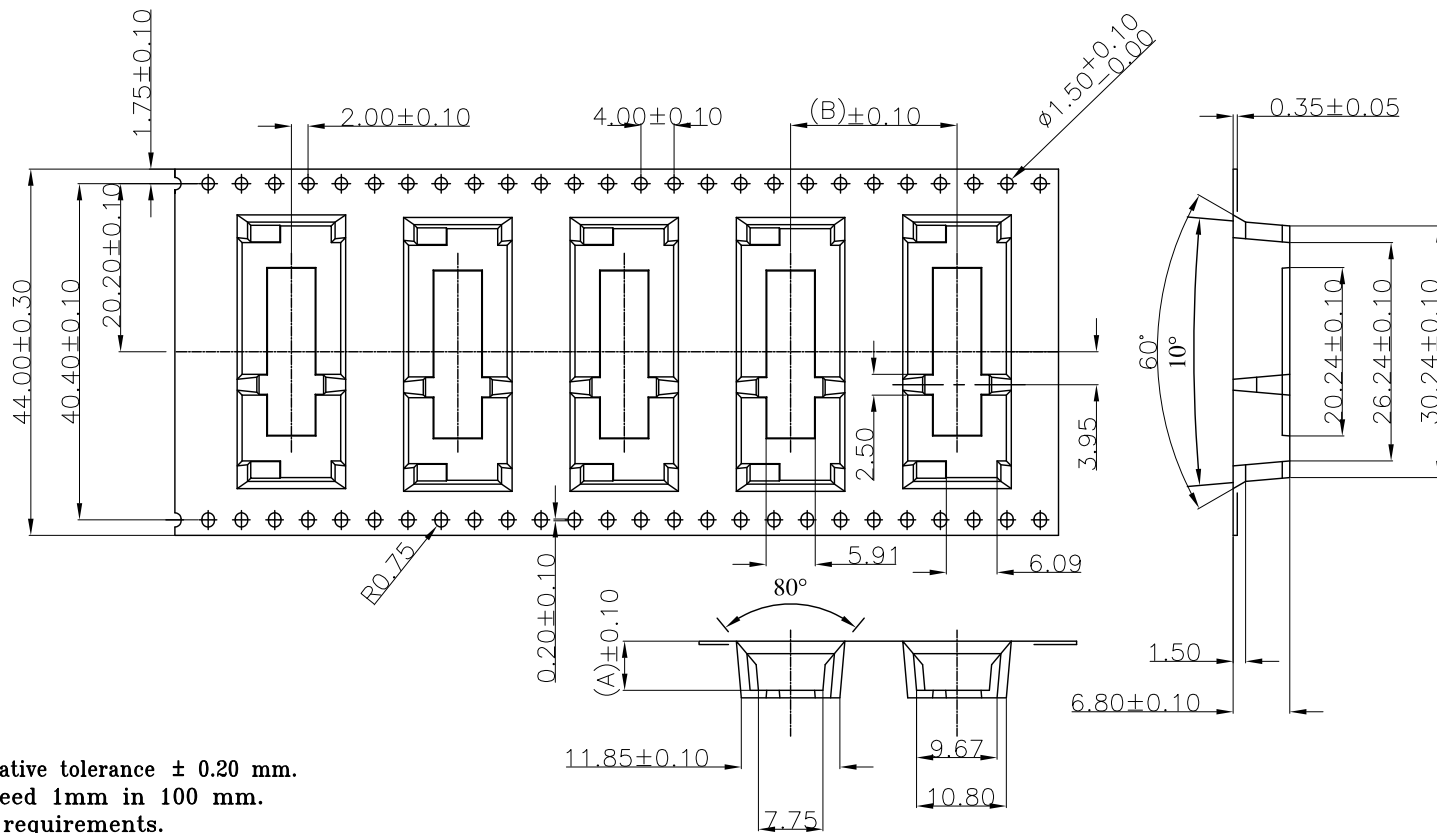


www.attend.com.tw

DRAWN NAME: Mini PCI Express Socket

PRODUCT NO. 119A-XXA00-R02

REV.	DESCRIPTION	DATE	REV.	DESCRIPTION	DATE
③	Revise:				
②	Revise: NOTE 9.2H 300PCS/REEL	2010/04/30			
①	Revise: NOTE 9.2H 350PCS/REEL	2010/01/21			



**NOTES:**

1. 10 sprocket hole pitch cumulative tolerance  $\pm 0.20$  mm.
2. Carrier camber not to exceed 1mm in 100 mm.
3. All scope meet EIA-481-C requirements.
4. Material: Black Anti-static Polystyrene.
5. Thickness:  $0.35 \pm 0.05$  mm.

DIM.	119A-40A00-R02	119A-52A00-R02	119A-56A00-R02	119A-80A00-R02	119A-92A00-R02
A	4.30	5.50	5.90	8.30	9.50
B	16.00	16.00	16.00	16.00	20.00

UNLESS OTHERWISE SPECIFIED TOLERANCE		
ANGLES	ANG.	$\pm 5^\circ$
LINEAR	0.	$\pm 0.3$
	0.0	$\pm 0.25$
	0.00	$\pm 0.20$
SCALE	AS SHOWN	UNIT: mm
DRAWN	Willis	2012/08/03
CHECKED	Angel	2012/08/03
APPROVED	Ken	2012/08/03

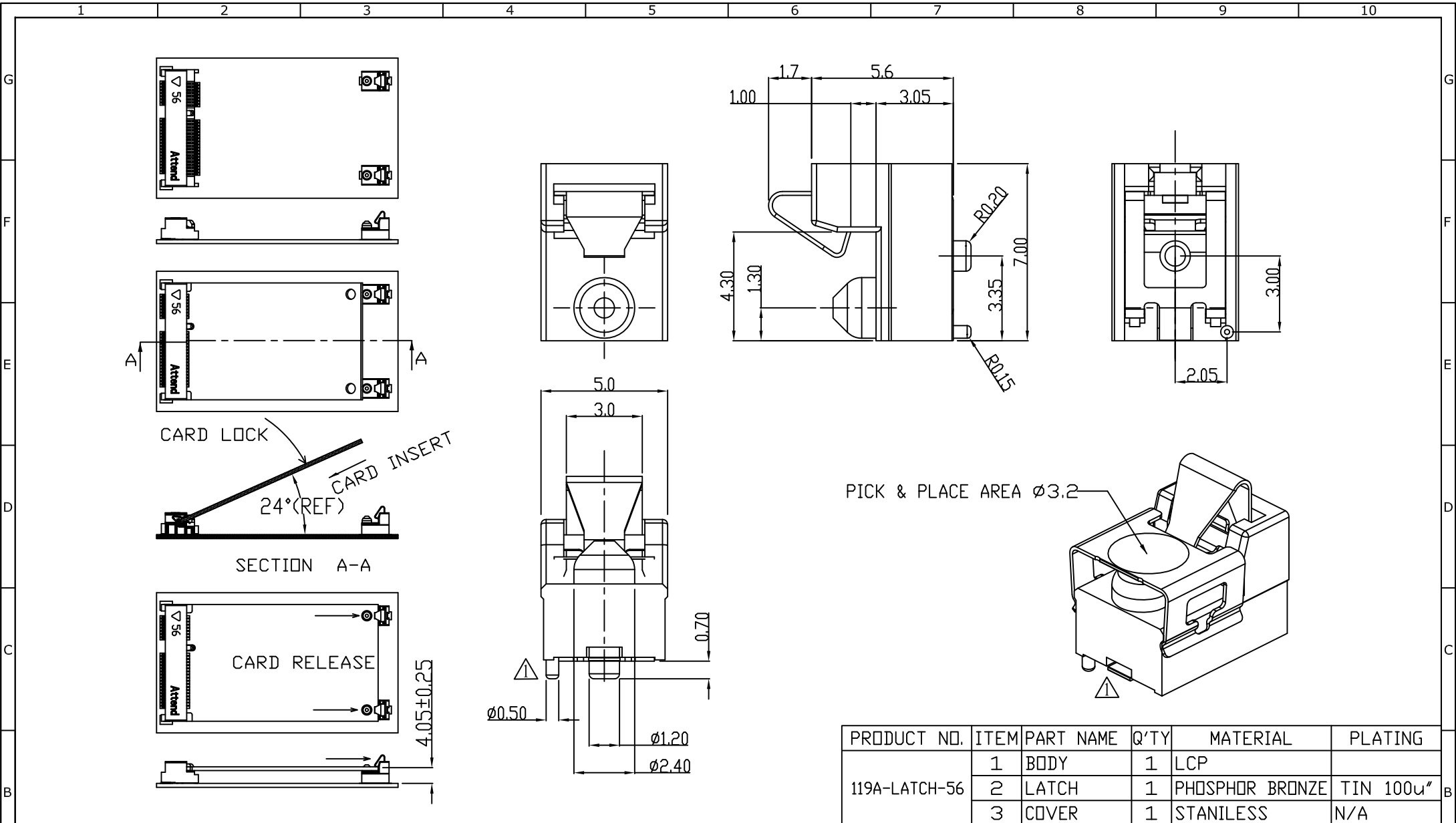


www.attend.com.tw

Revise:				
Revise: NOTE 9.2H 300PCS/REEL		2010/04/30		
Revise: NOTE 9.2H 350PCS/REEL		2010/01/21		

DRAWN NAME:		Mini PCI Express Socket	
PRODUCT NO.	119A-XXA00-R02		

REV.	DESCRIPTION	DATE	REV.	DESCRIPTION	DATE	SIZE	REV.	FILE NAME
1			4			A4	1.0	119A-XXA00-R02_D_4



PRODUCT NO.	ITEM	PART NAME	Q'TY	MATERIAL	PLATING
119A-LATCH-56	1	BODY	1	LCP	
	2	LATCH	1	PHOSPHOR BRONZE	TIN 100u"
	3	COVER	1	STAINLESS	N/A

UNLESS OTHERWISE SPECIFIED TOLERANCE		
ANGLES	ANG.	±5°
LINEAR	0.	±0.3
	0.0	±0.25
	0.00	±0.20
SCALE	AS SHOWN	UNIT: mm
DRAWN	Willis	2012/08/03
CHECKED	Angel	2012/08/03
APPROVED	Ken	2012/08/03



www.attend.com.tw	
DRAWN NAME: Mini PCI Express Latch H:5.6	
PRODUCT NO.	119A-LATCH-56
FILE NAME	119A-LATCH-56_B_3

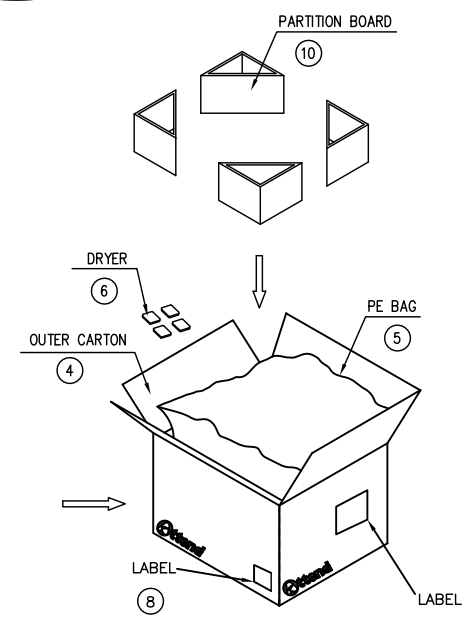
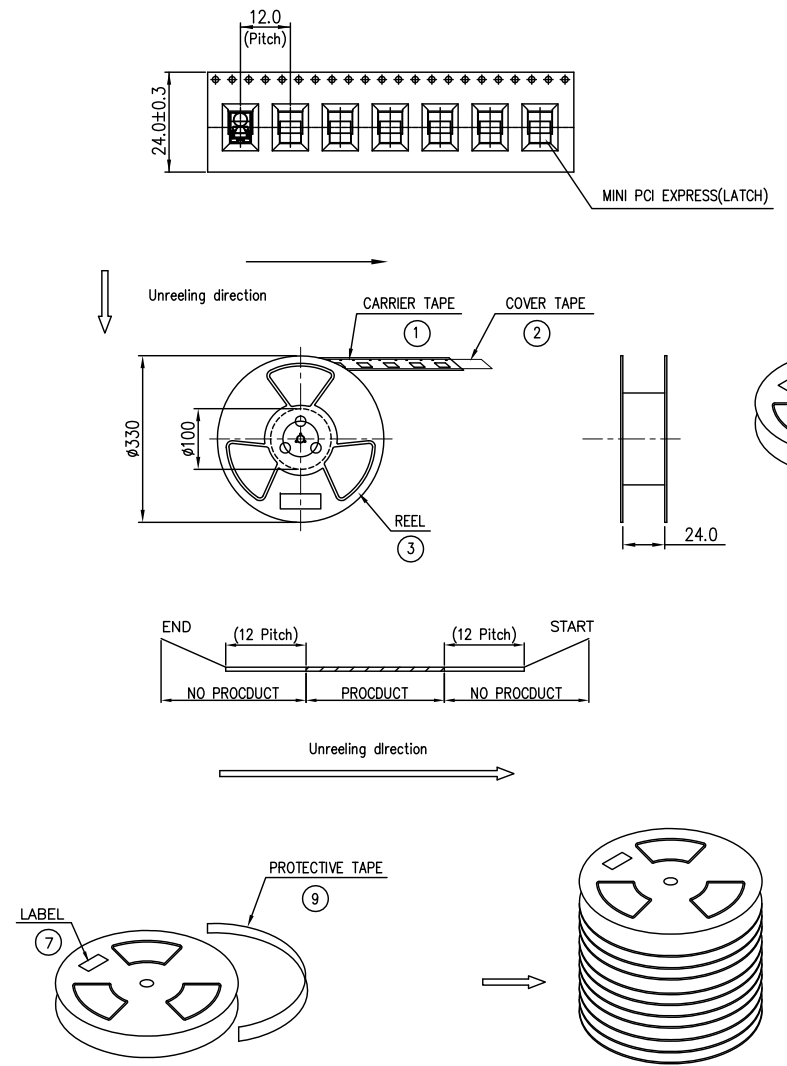
REV.	DESCRIPTION	DATE	REV.	DESCRIPTION	DATE
1			4		
2			5		
3			6		
4			7		
5			8		
6			9		
7			10		

- △ Revise:
- △ Revise:
- △ Revise: (1) Peg (2) Housing (3) Solder Pad



SIZE A4 REV. 1.0





- NOTES:
- PACKING STYLE
    - 119A-LATCH-40 (4.0H)  
700 PCS/REEL  
7000 PCS/OUTER CARTON
    - 119A-LATCH-56 (5.6H)  
550 PCS/REEL  
5500 PCS/OUTER CARTON
    - 119A-LATCH-80 (8.0H)  
400 PCS/REEL  
4000 PCS/OUTER CARTON
    - 119A-LATCH-92 (9.2H)  
300 PCS/REEL  
3000 PCS/OUTER CARTON
  - MATERIAL CARRIER TAPE: PS BLACK  
COVER TAPE: PET FILM  
REEL: PLASTIC
  - PEEL STRENGTH OF COVER TAPE: 20-80g (PEEL SPEED 300mm/MINUTE).

10	PARTITION BOARD	4	PCS	
9	PROTECTIVE TAPE	3	PCS	
8	LABEL	1	PCS	
7	LABEL	6	PCS	
6	DRYER	4	BAG	
5	PE BAG	1	PCS	L850*W750mm
4	OUTER CARTON	1	PCS	
3	REEL	10	SET	Ø330*100mm, W=44mm
2	COVER TAPE	SEE NOTES	10	PCS W=21.5mm
1	CARRIER TAPE	SEE NOTES	10	PCS W=24mm, T=0.5mm
NO	PACKING NAME	PCS/R/R/BOX	UNIT	NOTE
		PACKING QTY		

UNLESS OTHERWISE SPECIFIED TOLERANCE		
ANGLES	ANG.	±5°
LINEAR	0.	±0.3
	0.0	±0.25
	0.00	±0.20
SCALE	AS SHOWN	UNIT: mm
DRAWN	Willis	2012/08/03
CHECKED	Angel	2012/08/03
APPROVED	Ken	2012/08/03

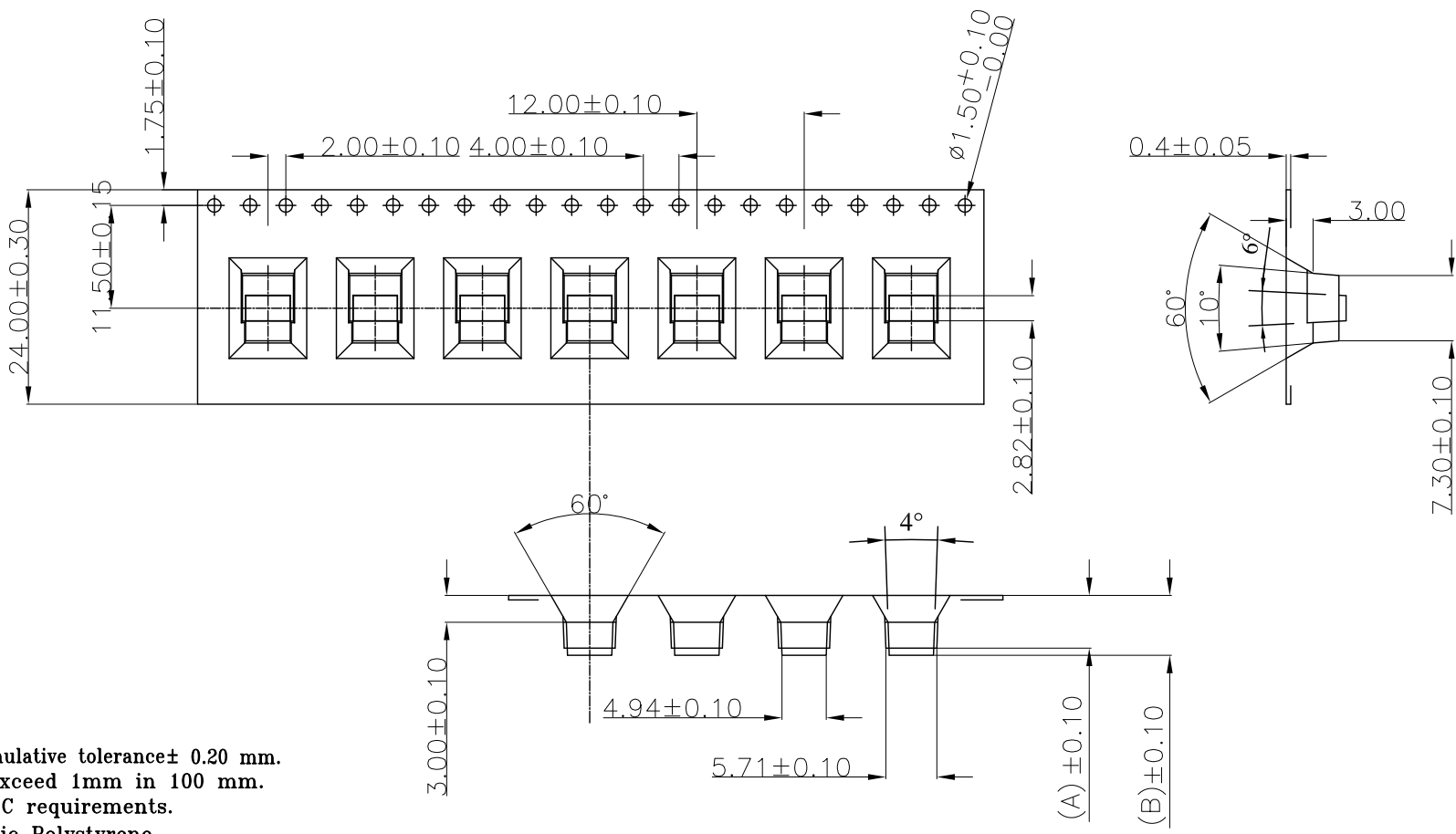
www.attend.com.tw

DRAWN NAME: Mini PCI Express Latch

PRODUCT NO. 119A-LATCH-XX

- Revise:
- Revise:
- Revise:

REV.	DESCRIPTION	DATE	REV.	DESCRIPTION	DATE	SIZE	REV.	FILE NAME
1			4			A4	1.0	119A-LATCH-XX_D_2



- NOTES:**
1. 10 sprocket hole pitch cumulative tolerance  $\pm 0.20$  mm.
  2. Carrier camber not to exceed 1mm in 100 mm.
  3. All scope meet EIA-481-C requirements.
  4. Material: Black Anti-static Polystyrene.
  5. Thickness:  $0.40 \pm 0.05$  mm.

DIM.	119A-LATCH-40	119A-LATCH-52	119A-LATCH-56	119A-LATCH-80	119A-LATCH-92
A	5.90	7.10	7.50	9.90	11.10
B	6.70	7.90	8.30	10.70	11.90

UNLESS OTHERWISE SPECIFIED TOLERANCE		
ANGLES	ANG.	$\pm 5^\circ$
LINEAR	0.	$\pm 0.3$
	0.0	$\pm 0.25$
	0.00	$\pm 0.20$
SCALE	AS SHOWN	UNIT: mm
DRAWN	Willis	2012/08/03
CHECKED	Angel	2012/08/03
APPROVED	Ken	2012/08/03



www.attend.com.tw	
DRAWN NAME: Mini PCI Express Latch	
PRODUCT NO.	119A-LATCH-XX
FILE NAME	119A-LATCH-XX_D_2

REV.	DESCRIPTION	DATE	REV.	DESCRIPTION	DATE
1			4		
2			5		
3			6		

SIZE	A4
REV.	1.0