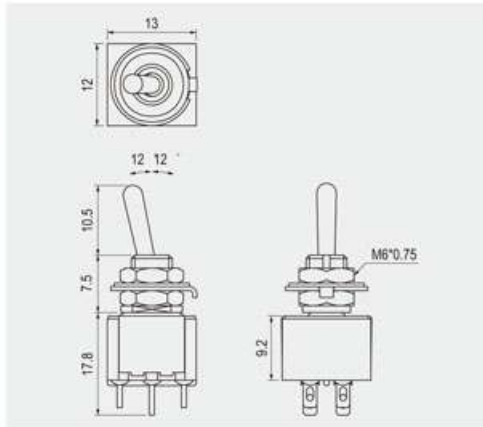


# (55 SERIES) TA2



|                             |
|-----------------------------|
| <b>Rating</b>               |
| 6A 125V AC<br>3A 250V AC    |
| <b>Contact resistant</b>    |
| 50mΩ Max                    |
| <b>Insulation resistant</b> |
| DC 500V 100MΩ Min           |
| <b>Dielectric strength</b>  |
| AC 1000V 1 minute           |
| <b>Cut out</b>              |
| <br>1 mm max                |

## FEATURES

- \* MATERIAL: Phenolic base (UL flame: 94V-0).  
Contacts and Terminals are copper with silver alloy and silver plated.
- \* Epoxy sealed for dust and moisture resistant.
- \* Colorful handle covers and waterproof boot are optional for toggle type A.



## TA2

| FUNCTION                                   |  | LEVER                                | TERMINAL  |
|--|--|--------------------------------------|---|
| <b>0 1</b><br><br>OFF ON<br>4P DPST        | <b>0 5</b><br><br>(ON) OFF ON<br>6P DPDT | <b>A Standard</b><br><br>2.8<br>10.5 | <b>1</b> SO<br><b>2</b> PC<br><b>3</b> PC Angle(2.54)<br><b>5</b> PC Angle(3.8) |
| <b>0 2</b><br><br>ON ON<br>6P DPDT         | <b>0 6</b><br><br>(ON) ON<br>6P DPDT     | <b>F Flat</b><br><br>5<br>12         |   |
| <b>0 3</b><br><br>ON OFF ON<br>6P DPDT     |  | <b>G Plastic</b><br><br>5<br>15      |   |
| <b>0 4</b><br><br>(ON) OFF (ON)<br>6P DPDT |  |                                      |   |

