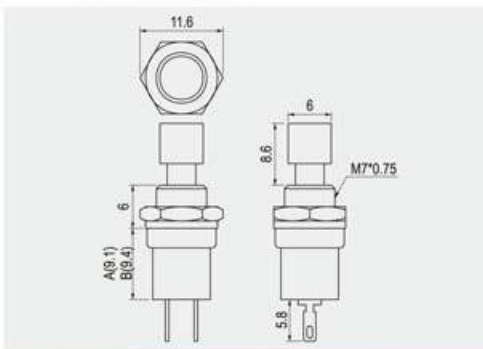
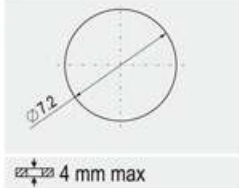


R13-24

Screw Type



Rating	3A 125V AC 1.5A 250V AC
Contact resistance	50mΩ Max
Insulation resistance	DC 500V 100MΩ Min
Dielectric strength	AC 1000V 1 minute
Cut-out	



FEATURES

- * MATERIAL: Actuator is PBT (UL Frames: 94V-0). Frame is nickel plated metal. Base is PBT (HB).
- * Actuator's size is optional.
- * Mounted by nut.

R13-24

FUNCTION		BUTTON	TERMINAL
A		$\varnothing 6*5.6$	0 5 SO
B	 * () =momentary	$\varnothing 10*8.5$	

