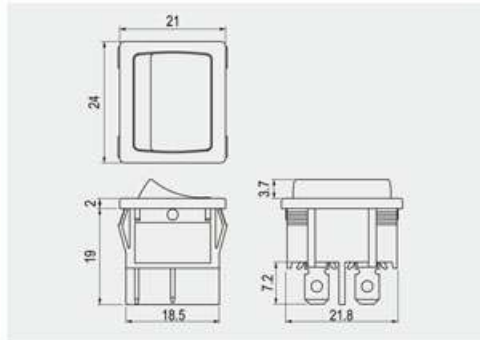


R13-33



Rating
10A 125V AC 6A 250V AC
Contact resistance
50mΩ Max
Insulation resistance
DC 500V 100MΩ Min
Dielectric strength
AC 1500V 1 minute
Cut-out

FEATURES

- * MATERIAL: Frame is nylon (UL frame: 94V-2). Terminals are silver plated brass.
- * Illuminated actuators are molded in PC, available with red, amber, green, blue and white colors.
- * Snap-in mounting, easy to install switch into panel.

Ordering number instruction

	Y	
		X
$\frac{E}{2} \pm \frac{Z}{2}$	X	Y
0.75-1.25	19.4-0.1	22.2+0.1
1.25-2	19.6-0.1	22.2+0.1
2-3	20.2-0.1	22.2+0.1

R13-33 -

FUNCTION		TERMINAL
Different position (動作特性不同)		0 2 .187" SQ
A	C	0 5 SO
B	H	
I		