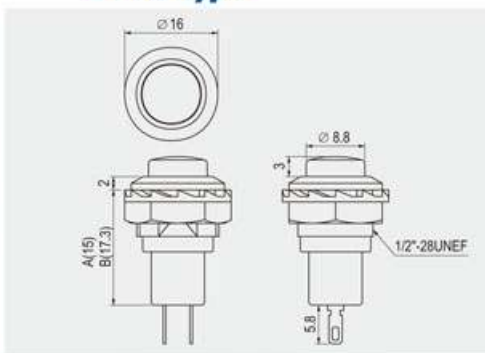
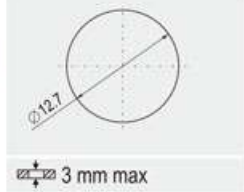


# R13-502

## Screw Type



Rating	3A 125V AC 1.5A 250V AC
Contact resistance	50mΩ Max
Insulation resistance	DC 500V 100MΩ Min
Dielectric strength	AC 1000V 1 minute
Cut-out	



### FEATURES

- \* MATERIAL: Actuator and Frame are nylon (UL flame: 94V-2). Terminals are silver plated brass. Base is PBT.
- \* M types are metal frames, nickel plated brass.
- \* Mounted by nut.

## R13-502

BODY	FUNCTION		TERMINAL
<b>P</b> Plastic Body 	<b>A</b>  2P SPST	<b>C</b>  3P SPDT (Only for R13-502MC) * ( ) =momentary	0 5 U SO
<b>M</b> Metal Body 	<b>B</b>  2P SPST		

