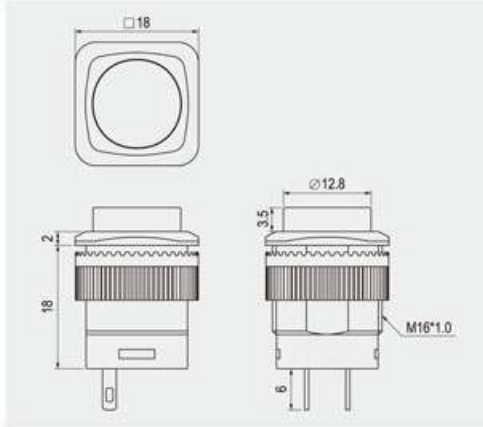
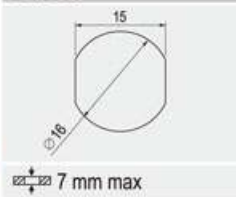


R13-508

Screw Type



Rating	3A 125V AC 1.5A 250V AC
Contact resistance	50mΩ Max
Insulation resistance	DC 500V 100MΩ Min
Dielectric strength	AC 1500V 1 minute
Cut-out	



FEATURES

- * MATERIAL: Frame is nylon with glass fiber (UL flame: 94V-2). Terminals are silver plated brass. Base is PBT.
- * Illuminated actuator are molded in PC, available with red, amber, green, blue and white colors.
- * Mounted by nut.

R13-508

FUNCTION		BUTTON	TERMINAL
A <p>2P SPST (ON)</p>	C L <p>3P SPST (LED dependent)</p>	<p>A, AL, B, BL 2 A, AL, B, BL, CL, DL</p>	0 5 SO
A L <p>4P SPST (LED Independent)</p>	D L <p>3P SPST (LED dependent)</p>		
B <p>2P SPST</p>			
B L <p>4P SPST (LED Independent)</p>			

* () = momentary

