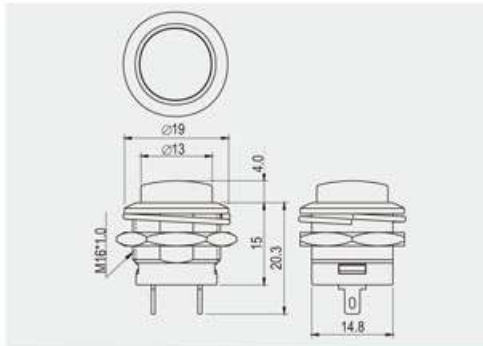



R13-507

Screw Type



Rating	6A 125V AC 3A 250V AC
Contact resistance	50mΩ Max
Insulation resistance	DC 500V 100MΩ Min
Dielectric strength	AC 1000V 1 minute
Cut-out	
	±0.15 6 mm max

FEATURES

- * MATERIAL: Frame is nylon glass fiber(UL flame: 94HB), Actuator is ABS. Terminals are silver plated brass. Base is PBT.
- * M type are metal frames, nickel plated brass.
- * Mounted by nut.

R13-507 ■ ■ - ■ ■

BODY		FUNCTION	TERMINAL
■ Plastic Body 	■ M Metal Body 	■ A 	■ 0 ■ 5 ■ SO

* () =momentary