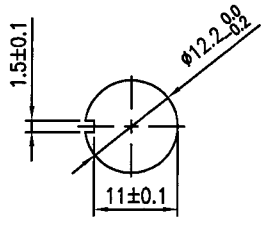
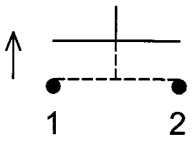
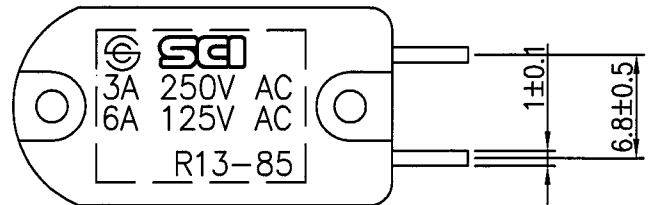
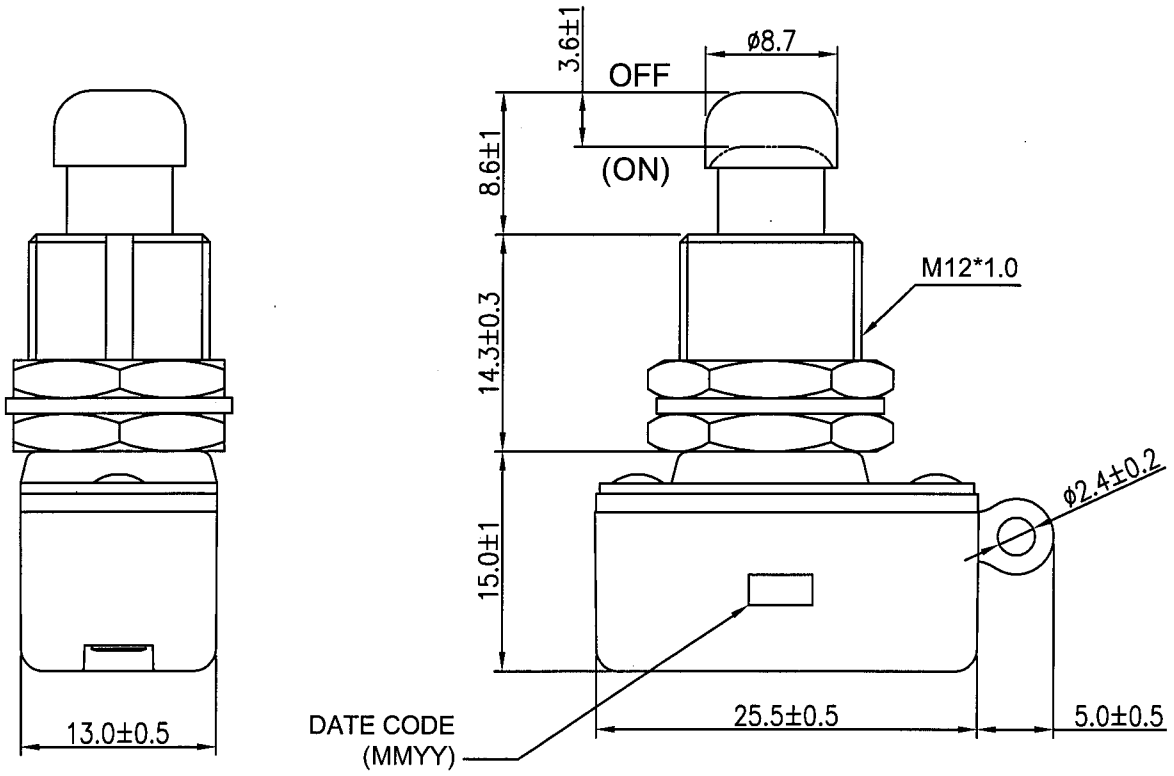
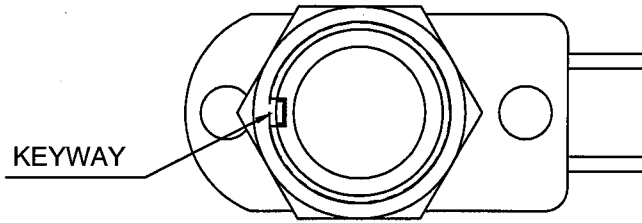


Rating	6A 125V AC, 3A 250VAC	Mounting Hole	Circuit Diagram
Contact Resistance	50m ohm Max.		
Insulation Resistance	DC 500V 100M ohm Min.		
Dielectric Strength	AC 1000V 1 minute		
Operation Temperature	-20°C ~ 65°C		
Switch Function	2P SPST OFF-(ON), PUSH ON		

*MATERIAL:
 Frame: Black, PF (94-V2)
 Actuator: Ni-plated, Brass
 Terminals: Silver plated, Copper alloy

2 HEX NUT ASSY
 1 SPRING WASHER ASSY



Date	Name	Description			△ NO
Drawn	Checked	Approved	SCI BOM No.	Model Name	PUSH SWITCH
曹盈芳		<i>[Signature]</i>	Customer No.	Model No.	R13-85A1-05-HWH Rev.
05/20/15		5/20/15	Unit	mm	Shin Chin Industrial Co., Ltd. X0