

6mm Ceramic Semi-Fixed Potentiometer (6mm 陶瓷金屬膜半固定電位器)

SH-655MCL T.K.

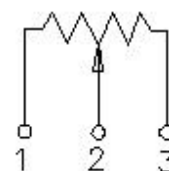
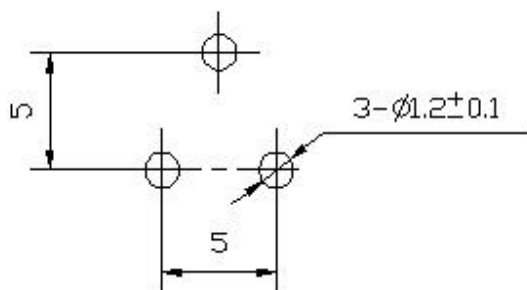
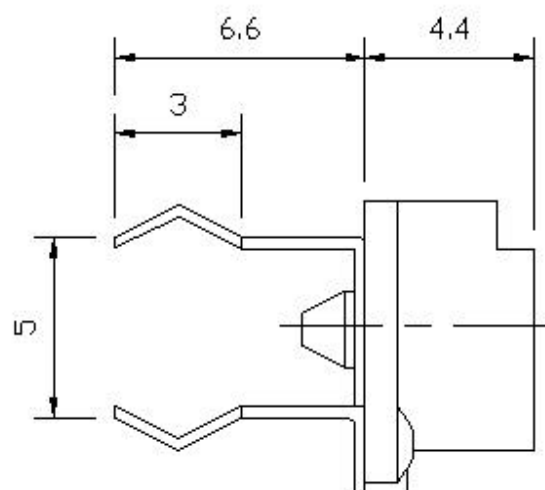
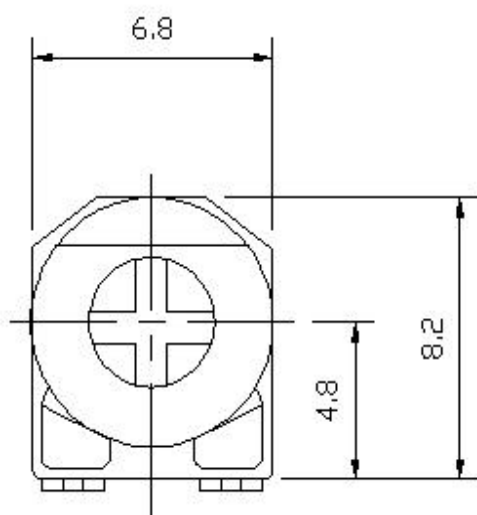


Part Number

SH-655MCL - 50K (T.K.)

Resistance Value Ceramic
阻值 陶瓷金屬膜材質

Dimensions 規格尺寸





6mm Ceramic Semi-Fixed Potentiometer (6mm 陶瓷金屬膜半固定電位器)

Electrical Characteristics 電氣特性

1. Resistance Value 阻值	100 ~ 1 M
2. Tolerance Rating 阻值誤差	± 20 %
3. Resistance Taper 線性	B Curve (Linear)
4. Max. Power Rating 定格電力	0.3W (at 70)
5. Max. Working Voltage 最大工作電壓	250 V
6. Contact Resistance Variation 接觸阻值變化	5 % Max.
7. Residual Resistance 殘留阻值	R 1K ⇨ 30 Max. R > 1K ⇨ 5 % Max.
8. Temperature Coefficient 溫度係數	± 150 ppm /

Mechanical Characteristics 機械特性

1. Rotation Angle 全旋轉角度	240 ± 20 degree
2. Rotation Torque 旋轉扭力	30 ~ 300 gf-cm
3. Stopper Strength 迴轉止強度	1.0 K gf-cm

Reliability Specification 實際規格

1. Operation life 操作壽命	50 Cycles Resistance Value ± 10 %
2. Temperature Characteristics 溫度特性	3 % @ 70 5 Hr
3. Humidity Characteristics 溼度特性	± 5 % @ 40 90 ~ 95 % RH without load ± 7 %
4. Resistance To Soldering Heat 焊錫耐熱阻值變化	Pass 350 3 sec or 260 10 sec @ Without any poor contact
5. Working Temperature 工作溫度	- 40 ~ 125
6. Terminal Strength 端子強度	> 300 gf-cm
7. Temperature Cycles 溫度週期	± 5 % @ without load : 25 - 40 , ± 7 % 25 - 125