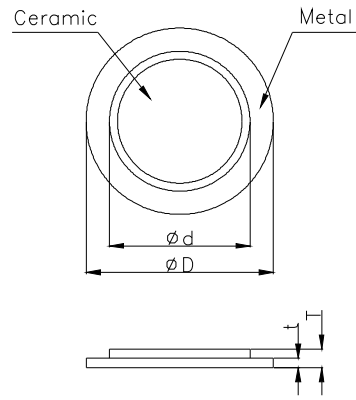


ONE SIDE NO FEEDBACK



MODEL NO.	RESONANT FREQUENCY	RESONANT IMPEDANCE max.	CAPACITY $\pm 30\%$ pF	DIMENSIONS				PLATE MATERIAL
				D	d	T	t	
	KHz	Ω		mm	mm	mm	mm	
MZ-20380B00	3.8	300	26000	20.0	15.0	0.25	0.15	Brass