

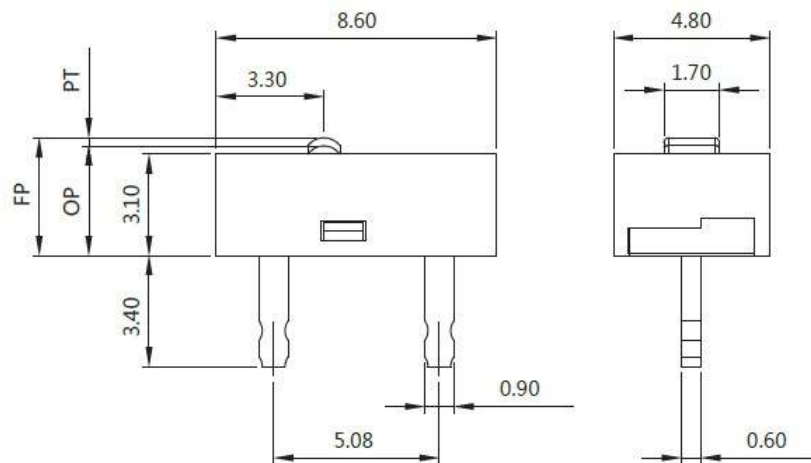
DA Series



Ratings :
0.1A 30VDC

Dimension :

Unless otherwise specified, a tolerance of $\pm 0.4\text{mm}$ applies to all dimensions.



Specifications :

Operating Frequency (electrical).....120 operations / min
Contact Resistance (initial).....100m Ω (Max.)
Insulation Resistance (at 250VDC).....100M Ω (Min.)
Dielectric Strength (50-60Hz).....600VAC RMS
Service Life (electrical).....Min. 5000000 operations

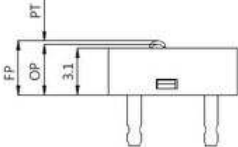
Application :

Mouse, Digital Pen

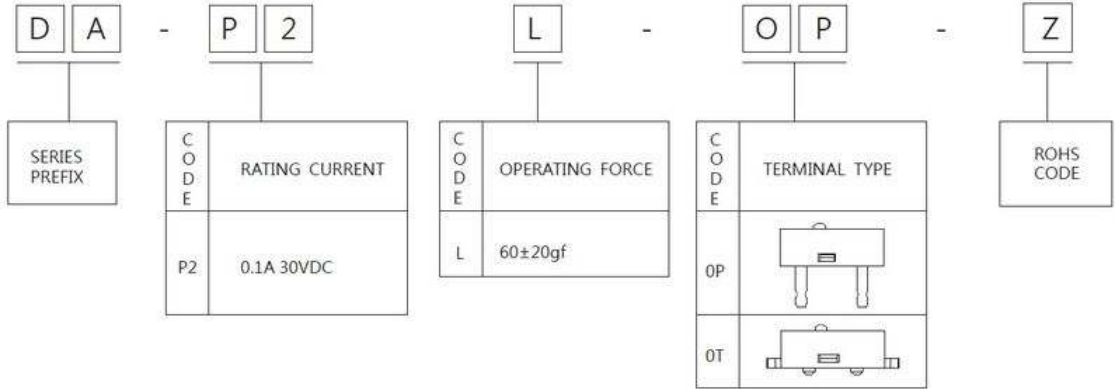
Contact Configuration :



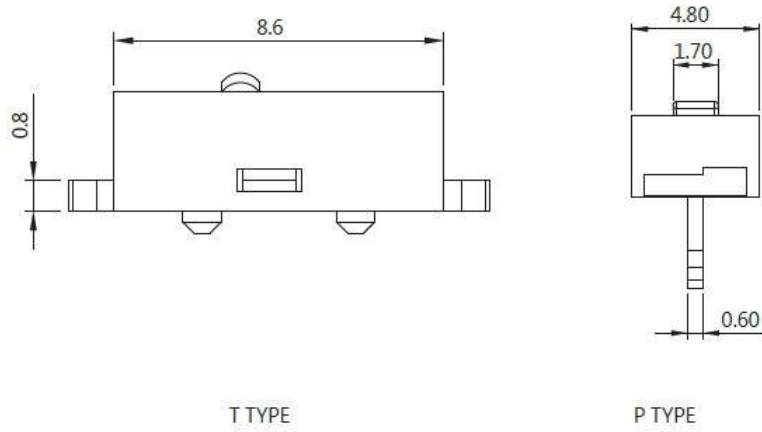
Operating Characteristics:

SWITCH TYPE	PART SUFFIX	OF (gf)	OP (mm)	PT Max. (mm)	OT Min. (mm)	FP Max. (mm)	MD Max. (mm)	RF Min. (gf)
DA-P2L-0□-Z		60±20	3.35 ^{+0.2} _{-0.15}	0.65	0.1	3.60±0.15	0.12	20

Ordering Information :



Terminal Types :



Mounting Holes :

