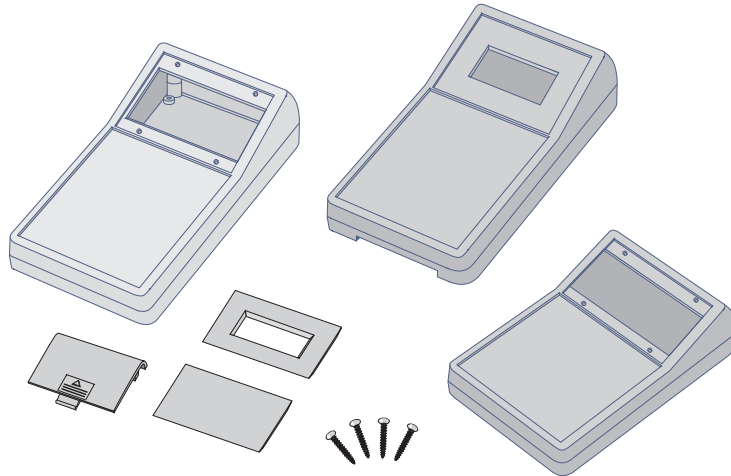


# SLOPED HANDHELD ENCLOSURES

**SERIES  
1100**



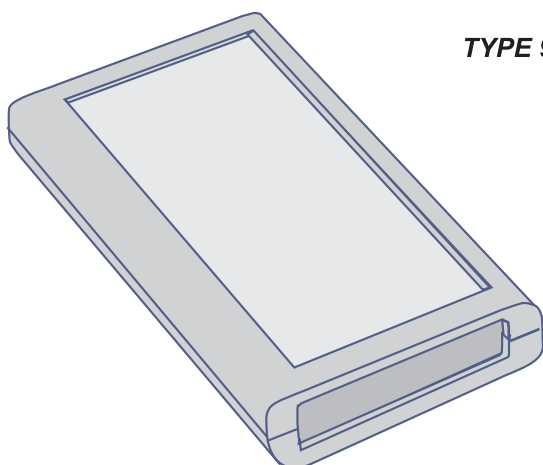
**Features:**

- \* Moulded in high impact ABS plastic.
- \* Ideal for keyboard, controllers, test instruments, computer accessories, remote actuators and controls.
- \* Type 1189 (BAT) is available with battery compartment.

Type	Type light grey	Type black	Length	Width	Height
	Order code	Order code			
1168	p/n 4969116801	p/n 4969116802	150.0	95.0	28.5/49.5
1189	p/n 4969118901	p/n 4969118902	189.0	104.5	33.2/59.0
1189(BAT)	p/n 4969118903	p/n 4969118904	189.0	104.5	33.2/59.0

# HANDHELD ENCLOSURES

**SERIES  
900**



**TYPE 939**

**Application:**

- \* Remote controls, keyboards interface, field test kits, personal applications etc.

**Features type 939:**

- \* Available in light grey and black colours.
- \* External dimensions:  
L = 134 mm    W = 70 mm    H = 24 mm

Type	Order code	Description
939	p/n 4969093901	High impact ABS grey
939	p/n 4969093902	High impact ABS black

● All measurements are in mm.