

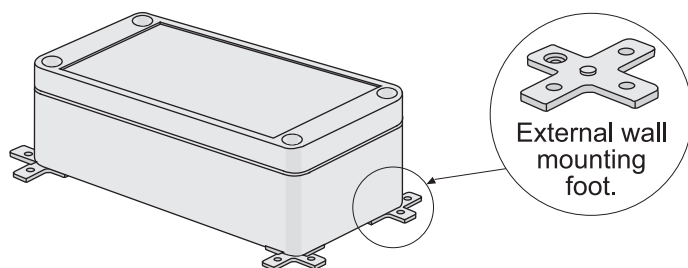
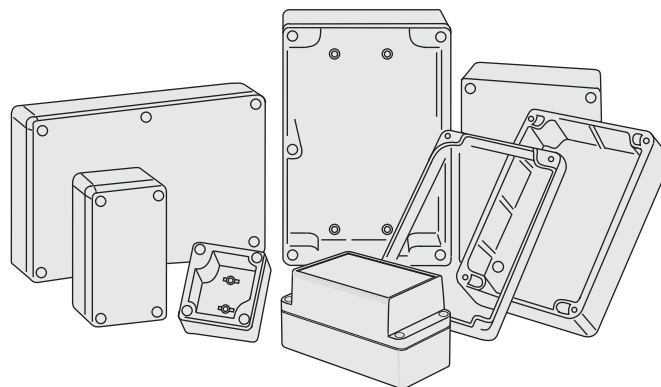
SEALED ENCLOSURES

**SERIES
1000**

These low cost enclosures meet the IP65 dust and hoseproof requirements. They are double insulated, sealed and as standard delivered in hi-impact flame retardant ABS in grey colour. However, they can also be supplied in UV retardant polycarbonate.

DESIGN FEATURES:

- * Available with transparent or grey lid.
- * Wall mounting outside the sealed area.
- * External wall mounting feet in ABS or polycarbonate available.
- * Recessed lid for membrane or label.
- * Each box is supplied with captive stainless steel fixing screws and PCB mounting screws.
- * The lid and base part have a tongue and groove system with an EPDM rubber sealing gasket.
- * Available with coating on the internal surface improving EMI and RFI shielding.
- * Available according to customer specifications: Drilled, punched, printed, painted etc.



External wall mounting foot.

Technical drawings available on: www.bernic.dk

TECHNICAL DATA:

Material	Protection	Isolation	Flame rating	Temperature	Colour	UV	Gasket
Polycarbonate	IP65	.	UL-94 VO	-40 - +125°	Clear	0	EPDM
ABS / Flame retardant	IP65	.	UL-94 VO	-40 - + 75°	Light grey	-	EPDM

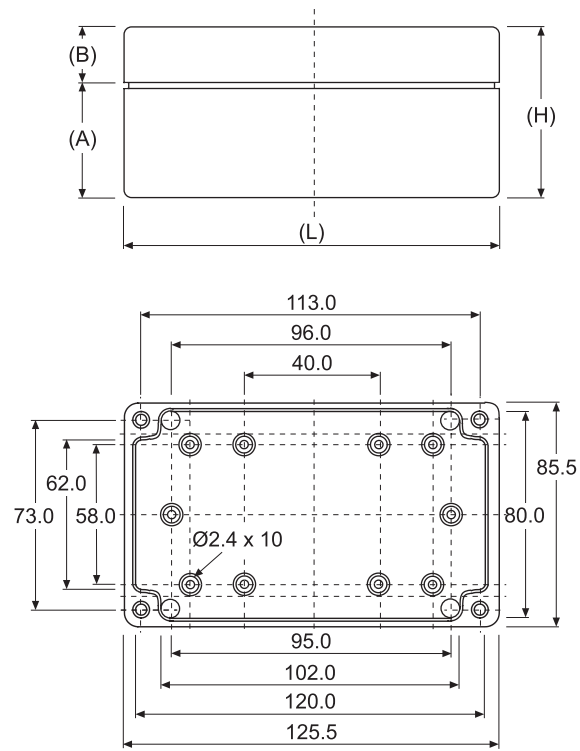
Type	Grey body / lid	Grey body / clear lid	External Dimensions / See Specifications				
			L = Length	W = Width	H = Height	A	B
1021	p/n 4969102101	p/n 4969102102	65	60	40	40	13
1061	p/n 4969106101	p/n 4969106102	85	80	55	40	15
1131	p/n 4969113101	p/n 4969113102	125	85	55	40	15
1151	p/n 4969115101	p/n 4969115102	125	85	85	40	45 *
1171	p/n 4969117101	p/n 4969117102	165	85	55	40	15
1181	p/n 4969118101	p/n 4969118102	165	85	85	40	45 *
1241	p/n 4969124101	p/n 4969124102	165	125	75	60	15
1281	p/n 4969128101	p/n 4969128102	186	146	75	60	15
1381	p/n 4969138101	p/n 4969138102	186	146	110	60	50 *
1451	p/n 4969145101	p/n 4969145102	220	165	60	45	15
1461	p/n 4969146101	p/n 4969146102	220	165	85	70	15
1531	p/n 4969153101	∅	250	200	95	70	25 *
1541	p/n 4969154101	∅	250	200	130	105	25 *

Accessories: MF0041 - wall mounting feet, 4 PCs in ABS per supply pack incl. wall plugs + fixing screws, p/n: 4969100041.

* Staircase design.

• All measurements are in mm.

TYPE 1131



● All measurements are in mm.