

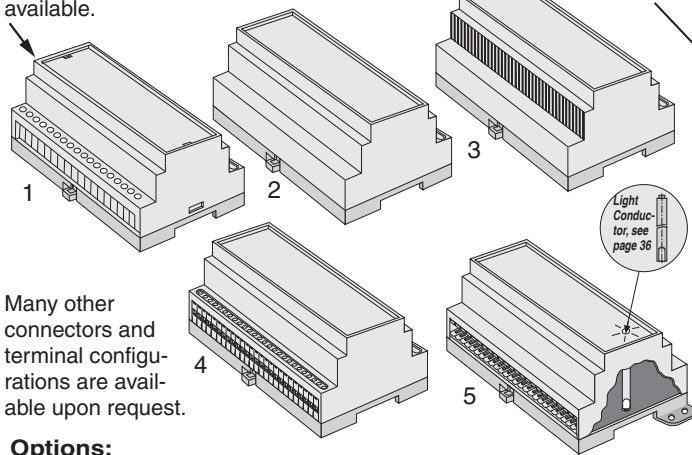
# 9 MODULE ENCLOSURES FOR M36 DIN-RAIL

## SERIES 1570

Version with knock out blanks for individual configuration available.

Possibility for ventilation

Wall mounting feet available.



Many other connectors and terminal configurations are available upon request.

### Options:

- open version for bigger terminals,
- no terminal numbers.
- red, grey or infra-red lid.
- click in frontpanel.
- hinged lid.
- not all versions are available for all sizes.

Module enclosure for M36 DIN-rail. Series 1570 is, if requested, available in several colours and with custom made holes in the front.

Lid, PCB, customized label and packing is available. Possibility for both base and top PCB. A closed version without terminals is also available.

Trimmers and spindles that fit the height of the box are available.

### TECHNICAL DATA:

#### TOP PART:

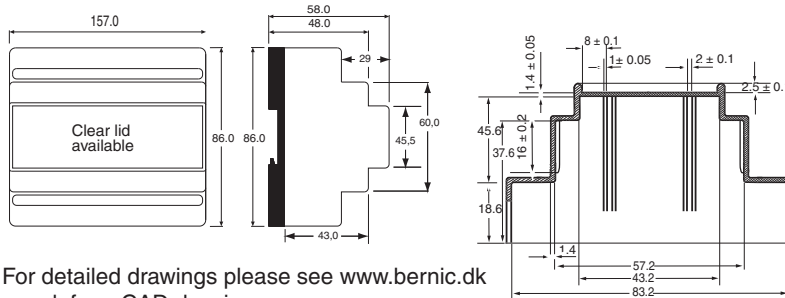
Material: Lexan 940  
 Colour: Grey (RAL 7035)  
 Max. temperature: 100°C  
 Width: 157 mm  
 (9 modules)

Label measurement: 41.0 x 152.0 mm  
 Self-extinguishing: Acc. to UL94-V0  
 IP Protection: IP 20

#### BASE PART:

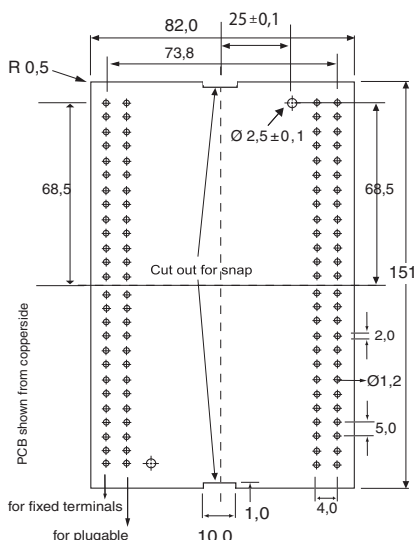
Material: Noryl VO 1550  
 Colour: Black (RAL 9005)  
 Max. temperature: 100°C  
 Max. wire dia.: 2 x 2.5 mm<sup>2</sup>  
 Max. load: 10A (for higher load please enquire)

Terminals: 52 fixed or plugable  
 Mounting: DIN-rail (EN50022)  
 Self-extinguishing: Acc. to UL94-V0



For detailed drawings please see [www.bernic.dk](http://www.bernic.dk) or ask for a CAD drawing

### HORIZONTAL PCB DIMENSIONS:



● All measurements are in mm.

●● Please note that most plugable terminals are in 5,08 pitch and need a bigger hole in the PCB

TYPE 1570:	ORDER CODE:
Complete, 257 for plugable	p/n 4969101571
Complete, 605 for fixed terminals	p/n 4969101572
Complete, closed, no terminals	p/n 4969101570
Top part, grey, 605 / 250, fixed terminals	p/n 4969001572
Top part, grey, 257, plugable	p/n 4969001571
Top part, grey, closed, no terminals	p/n 4969001570
Base part with clip and 2 screws	p/n 4969021571
DIN-rail clip for 1570	p/n 0669000604
Transparent lid for 1570	p/n 4969011570
Packing for 1570	p/n 2068157000
Raw PCB for 1570	p/n 4999001570
Terminal for 1570, 257/13, HO/A, PCB part	p/n 1155713580
Terminal for 1570, 256/13, wire part	p/n 1155613080
Terminal for 1570, 605/13, fixed terminals	p/n 3950141308
Screw/selfcutting 2 pcs.	p/n 7006102965

Many more p/n available - please enquire.