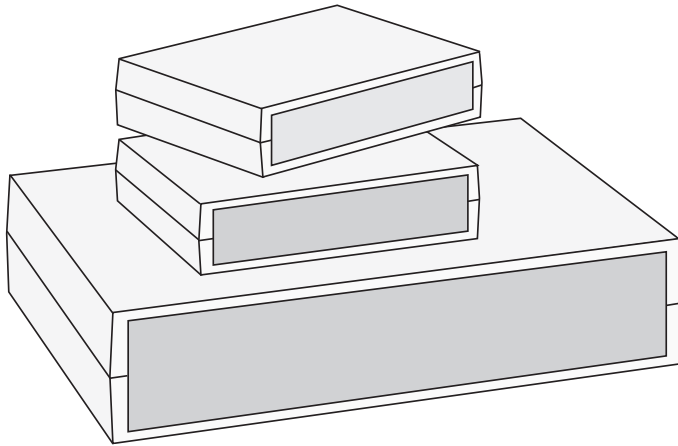


# DESK TOP ENCLOSURES

**SERIES  
2000**



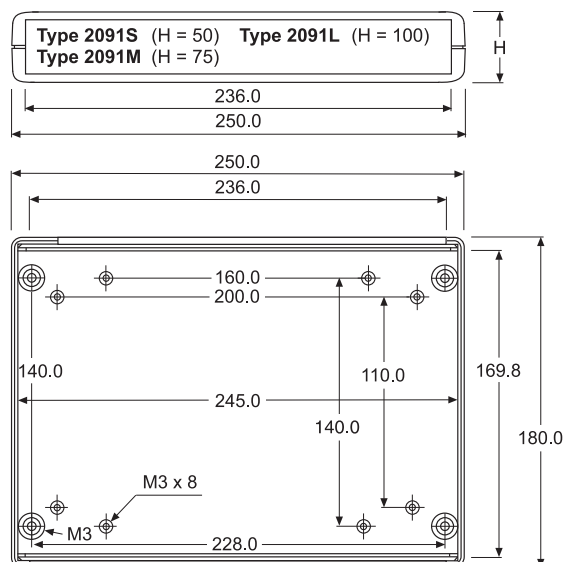
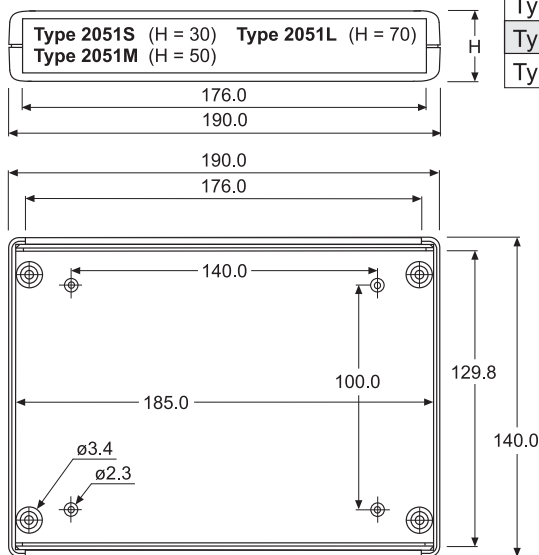
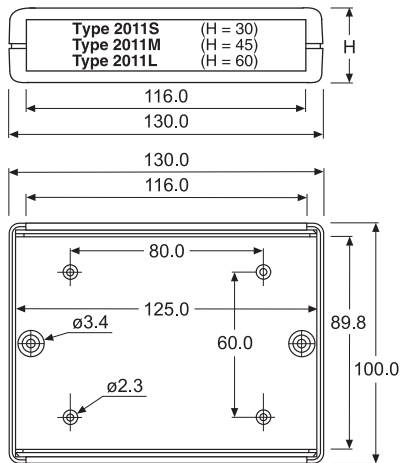
## SERIES 2000

Four part enclosure that includes top, base, front panel and rear panel. This series is designed for peripheral equipment of computers, electromedical devices, laboratory equipment, measuring devices, control equipment and other types of electronics.

We offer custom design to your own specification, including drilling, cutting, painting, punching, labelling, silk screen printing, etc. Is supplied in material with UL94-V0 specifications. Aluminium or dark red (i.r.) panels can alternatively be delivered. Upon request available with ventilation slots.

## TECHNICAL DATA:

Material:	ABS
Colour, top part:	Grey
Colour, base part:	Grey
Front + rear panels:	Grey(aluminium/i.r.)
Temperatur range:	-40 - +75° C
Self-extinguishing:	UL94-V0
Sealing:	IP43



TYPE 2000:	ORDER CODE:	Ext. dim.: L x W x H
Type 2011S	p/n 4969832011	130 x 100 x 30 mm
Type 2011M	p/n 4969842011	130 x 100 x 45 mm
Type 2011L (Incl. 4 rubber feet)	p/n 4969852011	130 x 100 x 60 mm
Type 2051S	p/n 4969832051	190 x 140 x 30 mm
Type 2051M	p/n 4969842051	190 x 140 x 50 mm
Type 2051L (Incl. 4 rubber feet)	p/n 4969852051	190 x 140 x 70 mm
Type 2091S (Incl. 4 rubber feet)	p/n 4969832091	250 x 180 x 50 mm
Type 2091M (Incl. 4 rubber feet)	p/n 4969842091	250 x 180 x 75 mm
Type 2091L (Incl. 4 rubber feet)	p/n 4969852091	250 x 180 x 100 mm

Front feet stands are available upon request.

PCB is mounted by means of selftapping screws. All 9 types are assembled with M3 screws into threaded bushings

● All measurements are in mm.