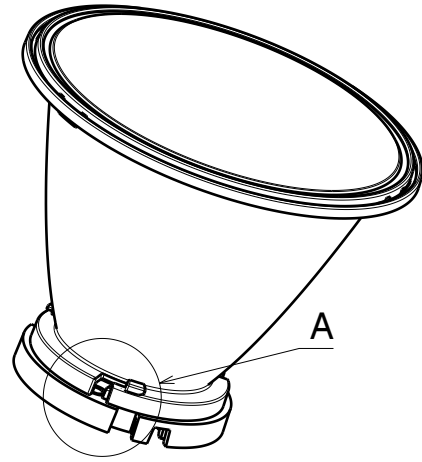
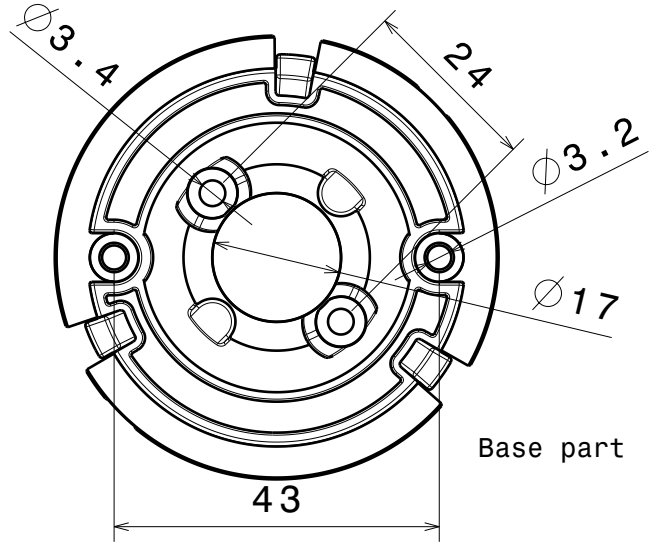


D C B A

4

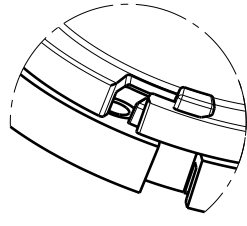


Isometric view



Base part

3

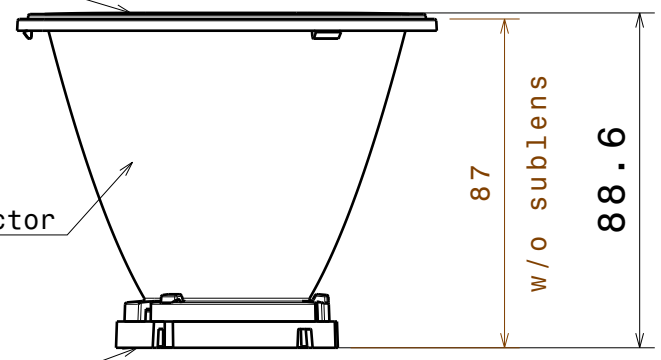


Detail A
Scale: 1:1

Lena sublens

Lena reflector

Lena-STD-base CXA20



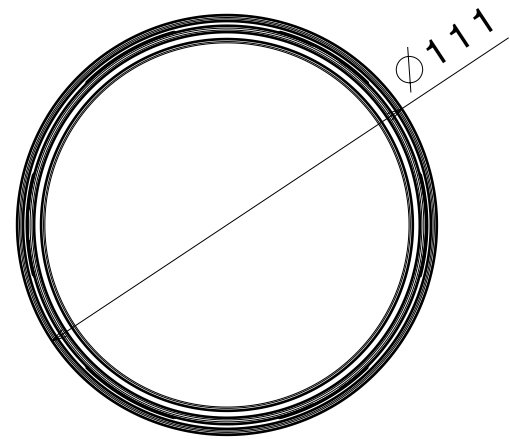
2

Material:

subLens
- PMMA

Reflector
- PC
- Metal coating and clear lacquer

Holder base
- PC
- Color white



4

3

2

This drawing is our property. It can't be reproduced or communicated without our written agreement.



L
T
F
F

e
e
i
i
n
n

d

DRAWING TITLE

Datasheet Lena-CXA20 series Assy

1

DRAWN BY p	DATE 26.05.2011	DRAWING TITLE Datasheet Lena-CXA20 series Assy			
CHECKED BY p	DATE 26.05.2011	SIZE A4	DRAWING NUMBER		REV 1
DESIGNED BY pl	DATE 11.02.2011	SCALE 1:2	WEIGHT (g)	SHEET 1/1	

1

D A