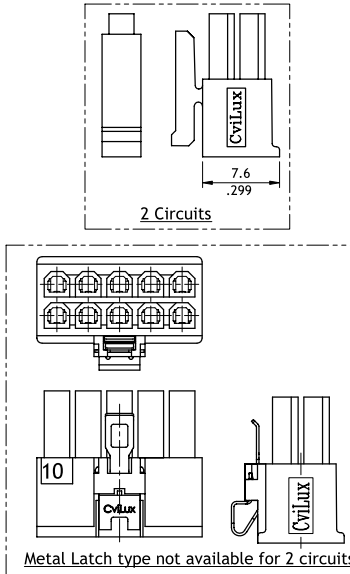
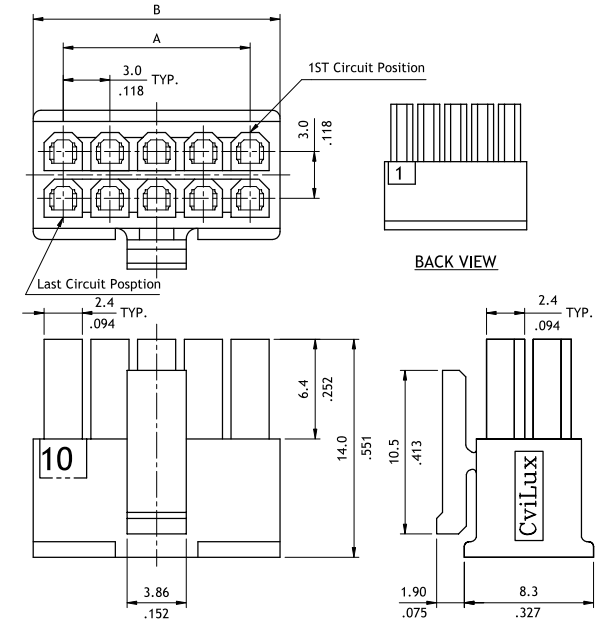


CP35 Series 3.00mm(.118") Receptacle Connectors

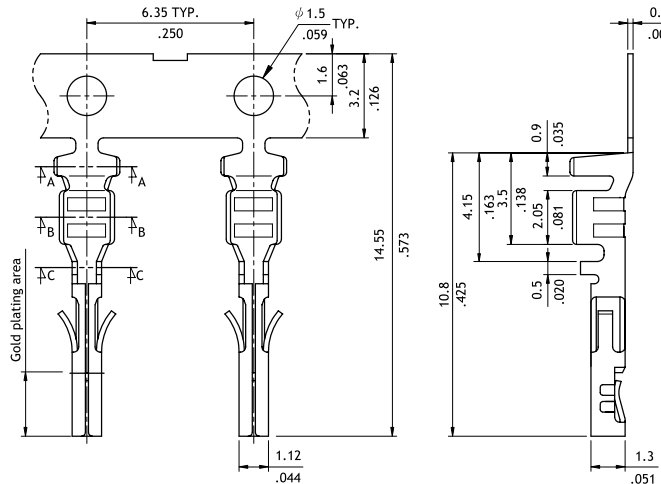
- ⊙ With locking latch
- ⊙ Available in 2 through 24 circuits
- ⊙ Can be used CP35 Crimp terminal
- ⊙ Thermal Polyester UL 94V-0, Color Black
- ⊙ Terminal accommodated AWG #20 ~ #30



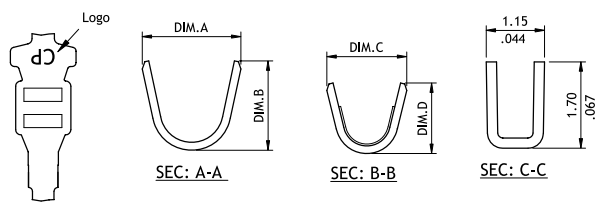
RoHS Compliant



Circuits	Dimension	
	A	B
2	—	3.9(.154)
4	3.0(.118)	6.9(.272)
6	6.0(.236)	9.9(.390)
8	9.0(.354)	12.9(.508)
10	12.0(.472)	15.9(.626)
12	15.0(.591)	18.9(.744)
14	18.0(.709)	21.9(.862)
16	21.0(.827)	24.9(.980)
18	24.0(.945)	27.9(1.098)
20	27.0(1.063)	30.9(1.217)
22	30.0(1.181)	33.9(1.335)
24	33.0(1.299)	36.9(1.453)



P/N	Wire Gauge	Insulation Diameter	Reel Q'ty	DIM.A	DIM.B	DIM.C	DIM.D
CP35TN1*PES	AWG #26-#30	1.35 MAX. .053	12,000 PCS	2.1 (.083)	1.9 (.075)	1.7 (.067)	1.5 (.59)
CP35TN2*PES	AWG #20-#24	2.5 MAX. .098	12,000 PCS	2.5 (.098)	2.4 (.094)	2.1 (.083)	2.0 (.079)



Ordering Code

1 **2** **3** **4** **5** **6**
CP35 24 S 00 1 0

- 1** Series No.
- 2** No. of Circuits: 02 to 24
- 3** Contact Type: S = Receptacle
- 4** Type: 00 = Standard ,ML = Metal Latch Type
- 5** Color: 1 = Color Black
- 6** Other Options:
 0 = Standard
 *Special options consult manufacturer

1 **2** **3** **4** **5** **6**
CP35 TN2 1 P E S

- 1** Series No.
- 2** Accept Wire Range:
 TN1 for AWG #26~#30
 TN2 for AWG #20~#24
- 3** Plating code:
 1 = Tin over Nickel
 A = Selective Gold flash over Nickel
 *Optional Plating available but MOQ requested
- 4** Material:
 P = Phosphor Bronze
- 5** Plating method: E = Pre-tinned
- 6** Style: S = Receptacle terminal