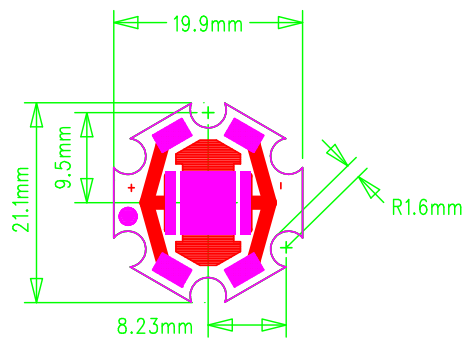


ALPCB-STAR-XR



TOP CONDUCTIVE LAYER    SOLDER MASK OPENINGS