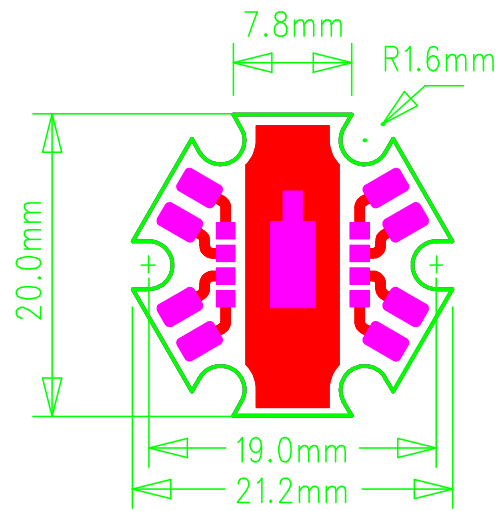


ALPCB-STAR-MCE



TOP CONDUCTIVE LAYER    SOLDER MASK OPENINGS