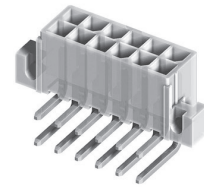
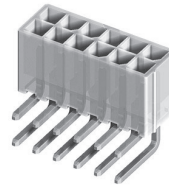


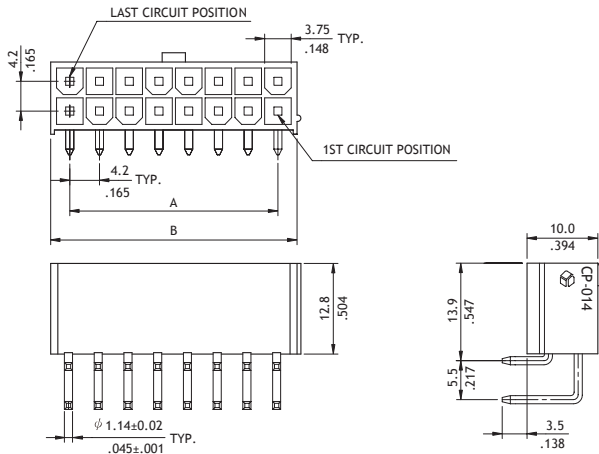
CP-014 Series 4.20mm (.165") Right Angle DIP Solder Headers

- ⊙ Option with mounting ears
- ⊙ Mates with CP-011 connector
- ⊙ Nylon 66 UL 94V-0 or V-2 insulator material

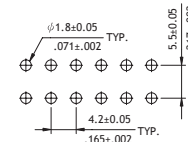
RoHS Compliant



P/N CP-014**110 / CP-014**130

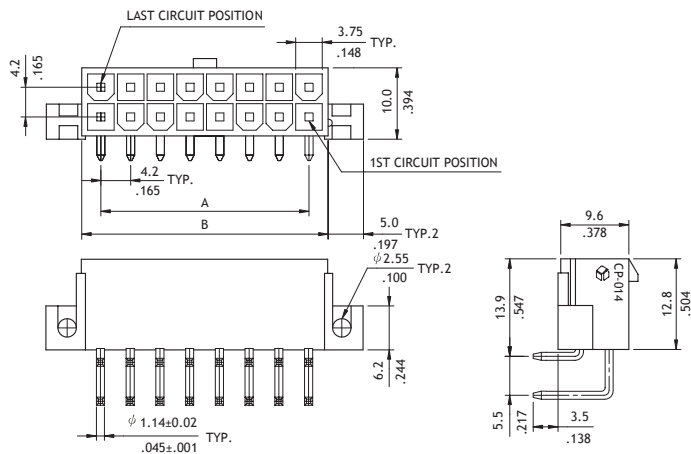


Circuits	Dimension	
	A	B
2	-	6.0(.236)
4	4.2(.165)	10.2(.402)
6	8.4(.331)	14.4(.567)
8	12.6(.496)	18.6(.732)
10	16.8(.661)	22.8(.898)
12	21.0(.827)	27.0(1.063)
14	25.2(.992)	31.2(1.228)
16	29.4(1.157)	35.4(1.394)
18	33.6(1.322)	39.6(1.559)
20	37.8(1.487)	43.8(1.724)
22	42.0(1.652)	48.0(1.890)
24	46.2(1.817)	52.2(2.055)

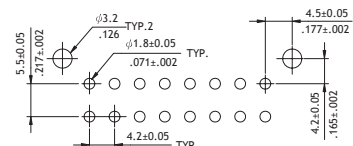


Recommended PCB Layout

P/N CP-014**100 / CP-014**120



Circuits	Dimension	
	A	B
2	-	6.0(.236)
4	4.2(.165)	10.2(.402)
6	8.4(.331)	14.4(.567)
8	12.6(.496)	18.6(.732)
10	16.8(.661)	22.8(.898)
12	21.0(.827)	27.0(1.063)
14	25.2(.992)	31.2(1.228)
16	29.4(1.157)	35.4(1.394)
18	33.6(1.322)	39.6(1.559)
20	37.8(1.487)	43.8(1.724)
22	42.0(1.652)	48.0(1.890)
24	46.2(1.817)	52.2(2.055)



Recommended PCB Layout

Ordering Code

① CP - 01 ② 4 ③ 2 ④ 4 ⑤ 1 ⑥ 0 0

- ① Series No.
- ② Connector Type:
4 = Right Angle Header
- ③ No. of Circuits:
see above table
- ④ Plating: 1 = Tin over Nickel

- ⑤ Variation:
0 = UL 94V-2 (with mounting ears)
1 = UL 94V-2 (without mounting ear)
2 = UL 94V-0 (with mounting ears)
3 = UL 94V-0 (without mounting ear)

- ⑥ Other Options:
0 = Standard
*Special options consult manufacturer