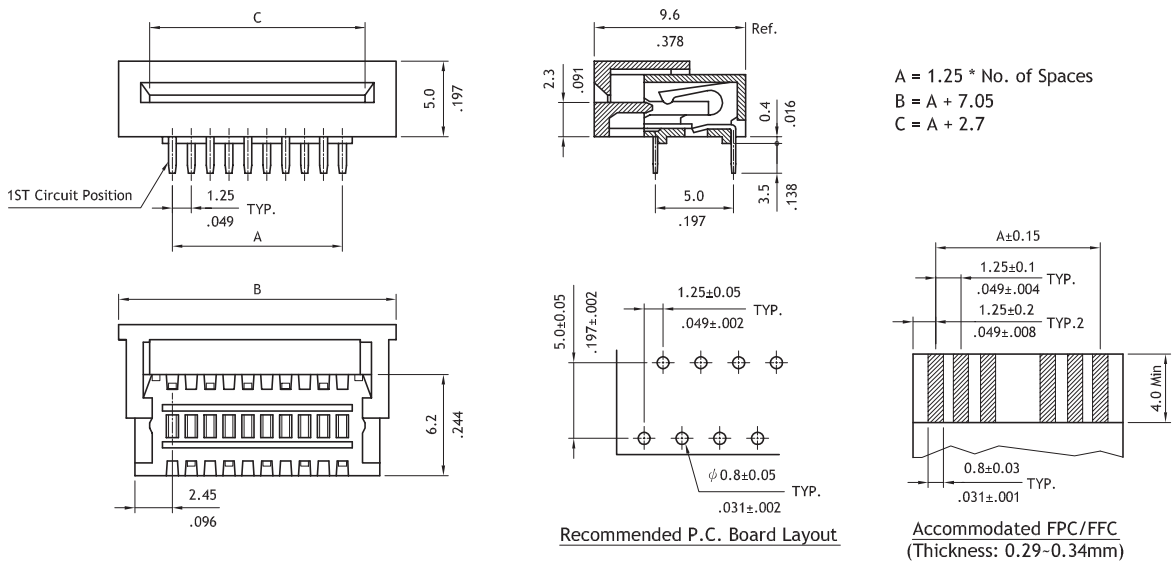
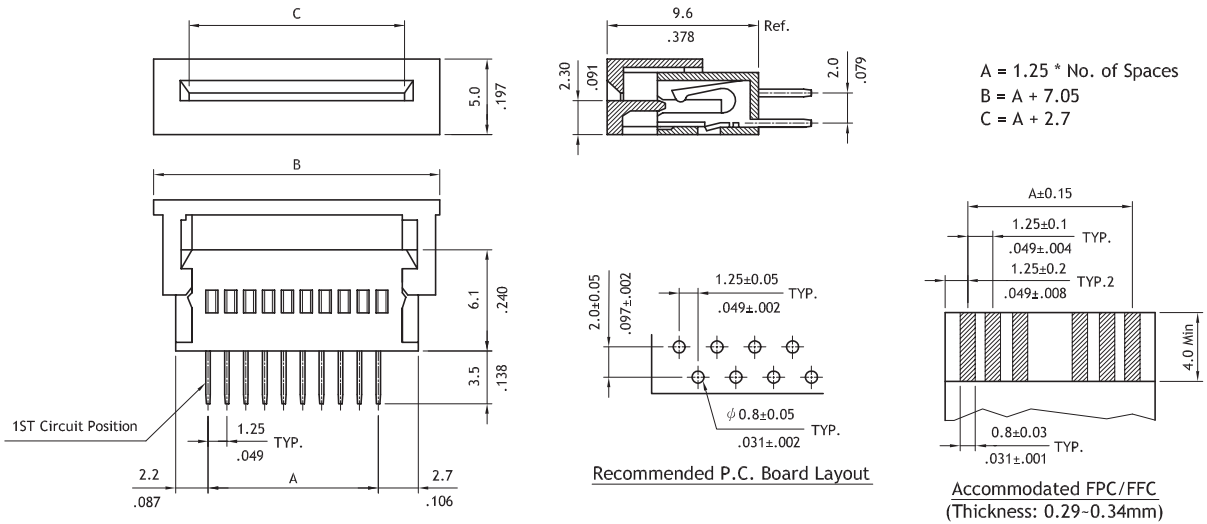
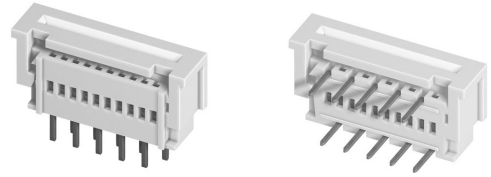


CF01 Series 1.25mm(.049") DIP ZIF FFC/FPC Connectors

● Insulation: Glass filled polyester UL 94V-0, Color Nature



Ordering Code

① **CF01** **②** **32** **③** **1** **④** **V** **⑤** **0** **⑥** **00**

- ①** Series No.
- ②** Contacts : 03 to 32
- ③** Plating code:
1= Tin over Nickel

- ④** Entry options:
V= Vertical
H= Right angle
- ⑤** Color: 0= Nature

- ⑥** Other options:
00= Standard
* Special options consult manufacturer