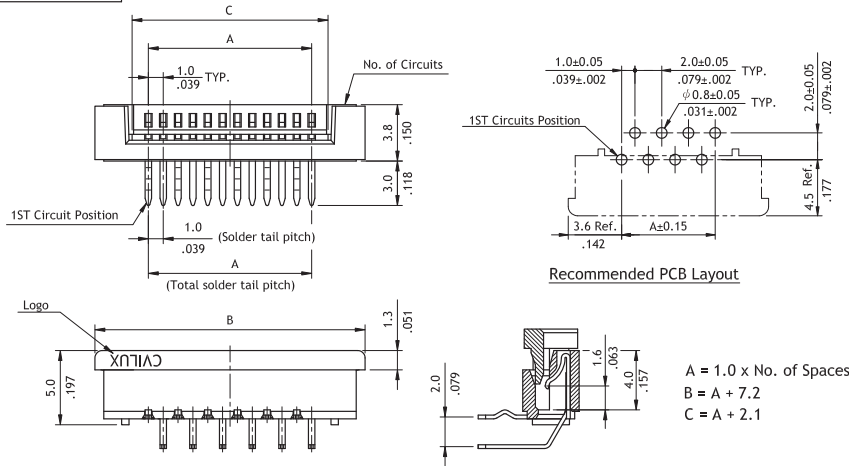


CF10 Series 1.00mm(.039")H=3.80/5.00 DIP ZIF FFC/FPC Connectors

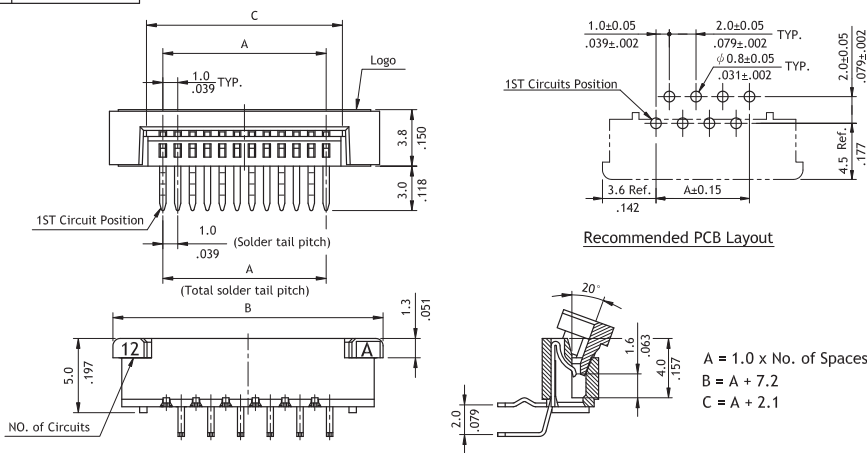
- ⊙ Tin contacts with kinked tail
- ⊙ Insulator: High temperature plastic UL 94V-0, Color Nature
- ⊙ Slider: High temperature plastic UL 94V-0, Color Brown / Black

RoHS Compliant

P/N CF10**1U0T0-**



P/N CF10**1D0T0-**



P/N CF10**1V0T0-**

