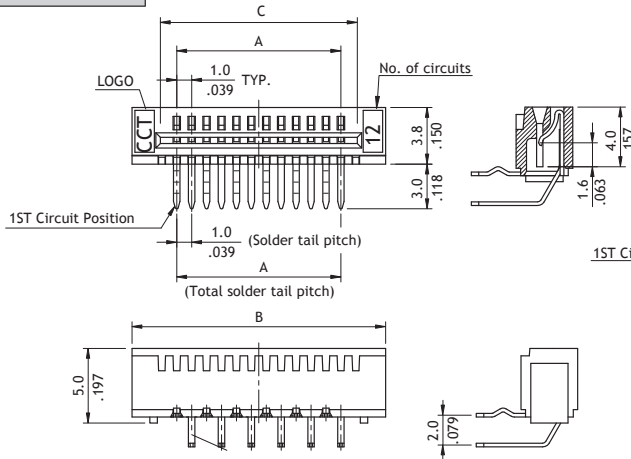


**CF16 Series 1.00mm(.039")H=3.80/5.00 DIP LIF FFC/FPC Connectors**

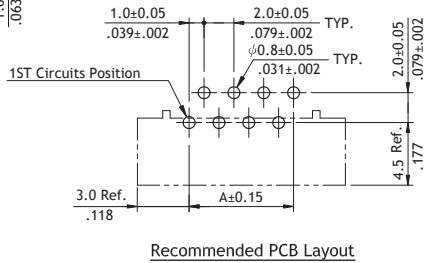
- Tin contacts with kinked tail
- Insulator: High temperature plastic UL 94V-0

RoHS Compliant 

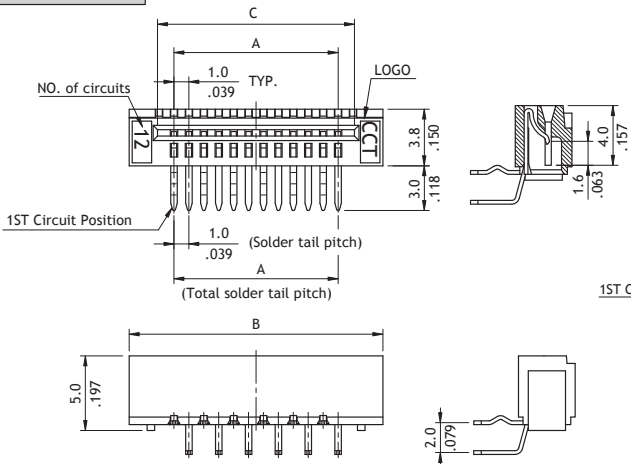
P/N CF16\*\*1U0T0-NH



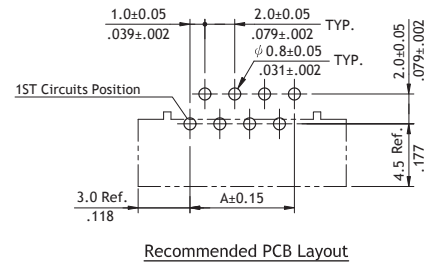
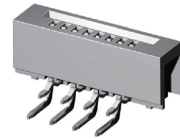
A = 1.0 x No. of Spaces  
 B = A + 6.0  
 C = A + 2.1



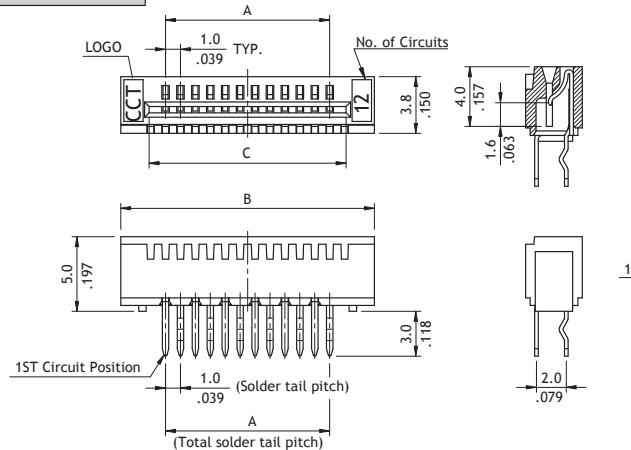
P/N CF16\*\*1D0T0-NH



A = 1.0 x No. of Spaces  
 B = A + 6.0  
 C = A + 2.1



P/N CF16\*\*1V0T0-NH



A = 1.0 x No. of Spaces  
 B = A + 6.0  
 C = A + 2.1

