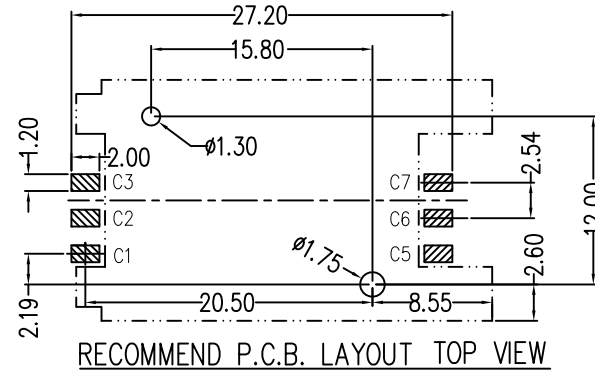
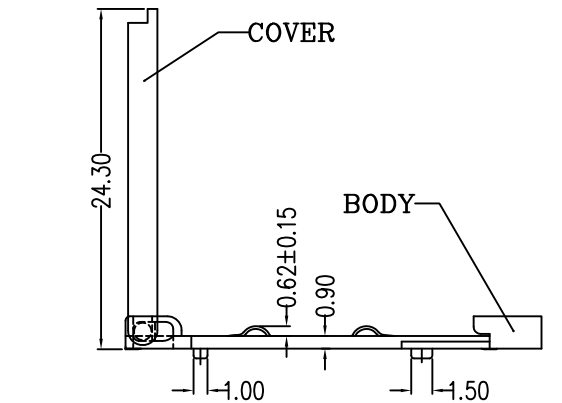
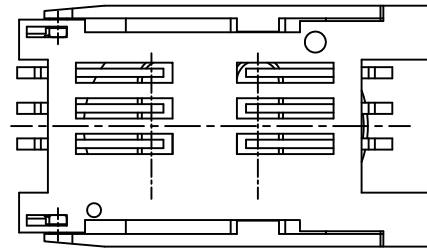
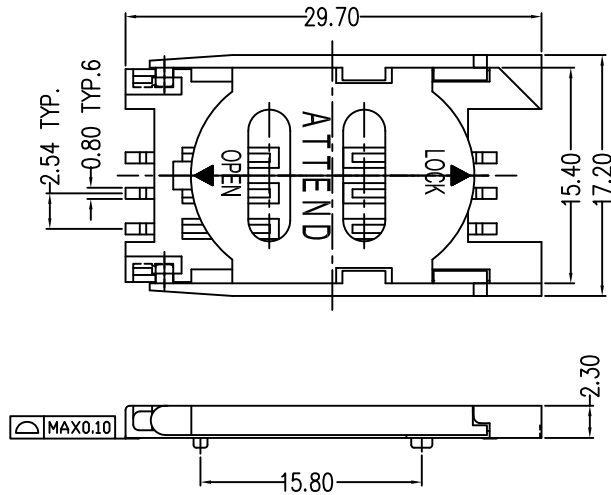


SWITCH CIRCUIT			MATERIAL AND FINISH AS BELOW						
WHEN CARD IS EJECTED		WHEN CARD IS INSERTED	A	Housing	LCP UL94V-0 Black	E			
			B	Cover	LCP UL94V-0 Black	F			
			C	Contact	Phosphor Bronze C5191,Gold Flash Over Nickel Solder Tail: Tin Plating	G			
						H			



SPECIFICATION:

1. ELECTRICAL

- 1.1 Current Rating: 0.5A per pin
- 1.2 Voltage Rating: 30V AC/DC
- 1.3 Contact Resistance: 30mΩ
- 1.4 Insulation Resistance: 1000MΩ
- 1.5 Dielectric Withstanding Voltage: 500VAC

2. MECHANICAL

- 2.1 Durability: 5000 Cycle

3. ENVIRONMENTAL

- 3.1 Operating temperature range: -40°C~+85°C
- 3.2 Storage temperature range: -40°C~+85°C

4. SOLDER ABILITY

- 4.1 Recommended IR Reflow Temperature: 260°C 10Sec

All materials are RoHS compliance

VCC	RST	CLK	GND	VPP	I/O					
C1	C2	C3	C5	C6	C7					

PIN ASSIGNMENT

115B-AAA0-R01	SIM Card 6Pin Socket Hinge Type, Gold Flash,With Peg
PRODUCT NO.	DESCRIPTION

UNLESS OTHERWISE SPECIFIED TOLERANCE		
ANGLES	ANG.	±5°
LINEAR	0.	±0.3
	0.0	±0.25
	0.00	±0.20
SCALE	AS SHOWN	UNIT: mm
DRAWN	Willis	2013/09/06
CHECKED	Angel	2013/09/06
APPROVED	Ken	2013/09/06

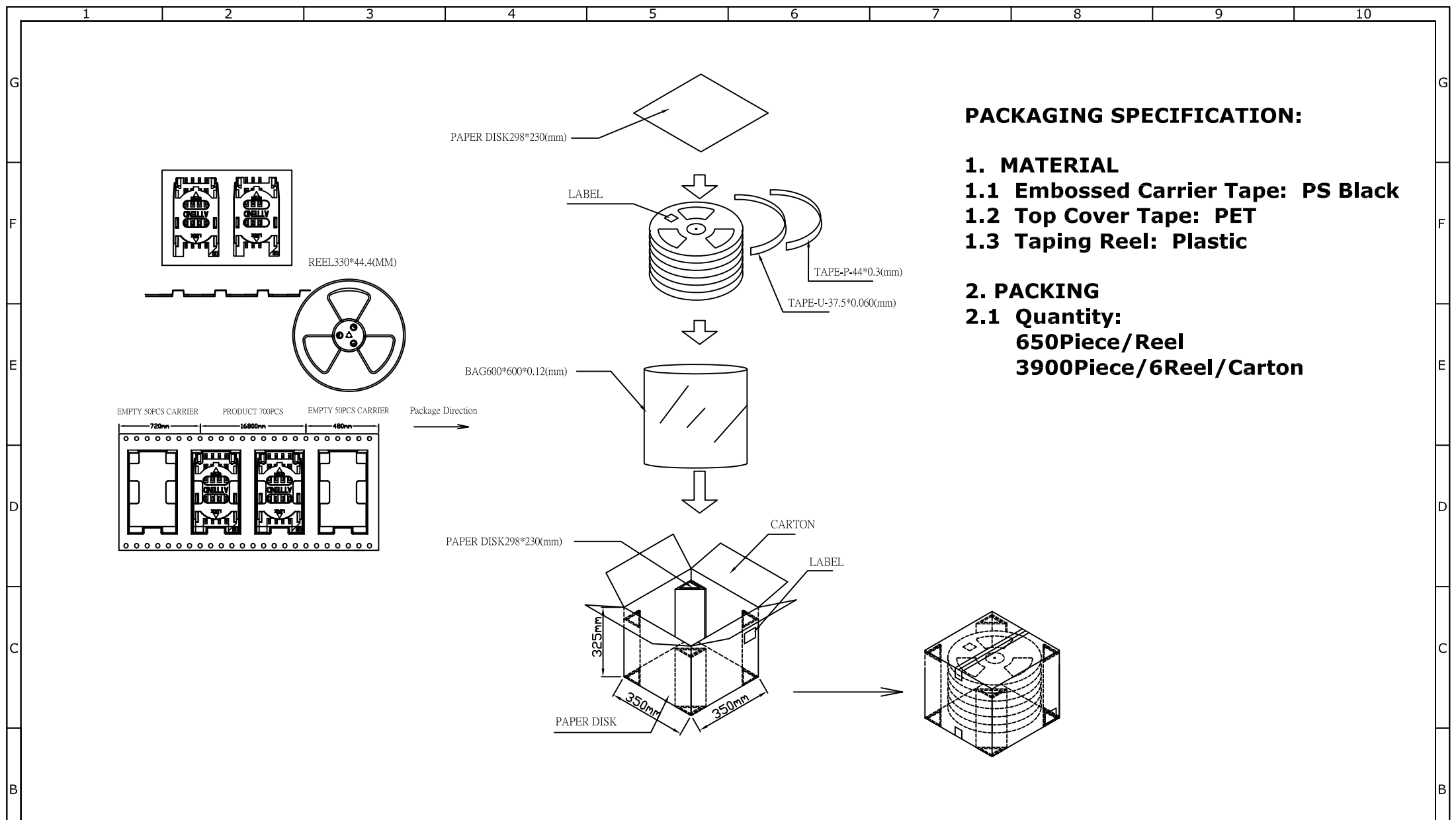


www.attend.com.tw

DRAWN NAME:
SIM Card Socket Hinge Type

PRODUCT NO. 115B-AAA0-R01

REV.	DESCRIPTION	DATE	REV.	DESCRIPTION	DATE	SIZE A4	REV. 1.0	FILE NAME	115B-AAA0-R01_B_1
1			4						
2			5						
3			6						
			7						
			8						
			9						
			10						



PACKAGING SPECIFICATION:

- 1. MATERIAL**
 - 1.1 Embossed Carrier Tape: PS Black**
 - 1.2 Top Cover Tape: PET**
 - 1.3 Taping Reel: Plastic**
- 2. PACKING**
 - 2.1 Quantity:**
 - 650Piece/Reel**
 - 3900Piece/6Reel/Carton**

						UNLESS OTHERWISE SPECIFIED TOLERANCE			 www.attend.com.tw	
						ANGLES	ANG.	±5°		
						LINEAR	0.	±0.3		
							0.00	±0.25		
						SCALE	AS SHOWN	UNIT: mm	±0.20	
						DRAWN	Willis	2013/09/06	DRAWN NAME:	
						CHECKED	Angel	2013/09/06	SIM Card Socket Hinge Type	
						APPROVED	Ken	2013/09/06	PRODUCT NO.	115B-XXXX-R01
REV.	DESCRIPTION		DATE	REV.	DESCRIPTION		DATE	SIZE	REV.	FILE NAME
1				4				A4	1.0	115B-XXXX-R01_D_1