

IEC Appliance Inlet C8, Snap-in Mounting, Front Side, Solder or Quick-connect Terminal



Snap-In Version



**Description**

- Panel Mount:  
Snap-in version, Front Side
- 1 Function:

- Appliance Inlet, Pin temperature 70 °C, Protection class II
- Solder terminals or quick connect terminals

**Approvals**

- VDE Certificate Number: 40002274
- UL File Number: E96454

**Characteristics**

- Contact pins are turned from solid material

**References**

- Alternative: version for screw mounting [2576](#)
- Alternative: version with line filter [5008](#)
- Alternative: Inlet with retainer and country specific cord set

**Weblinks**

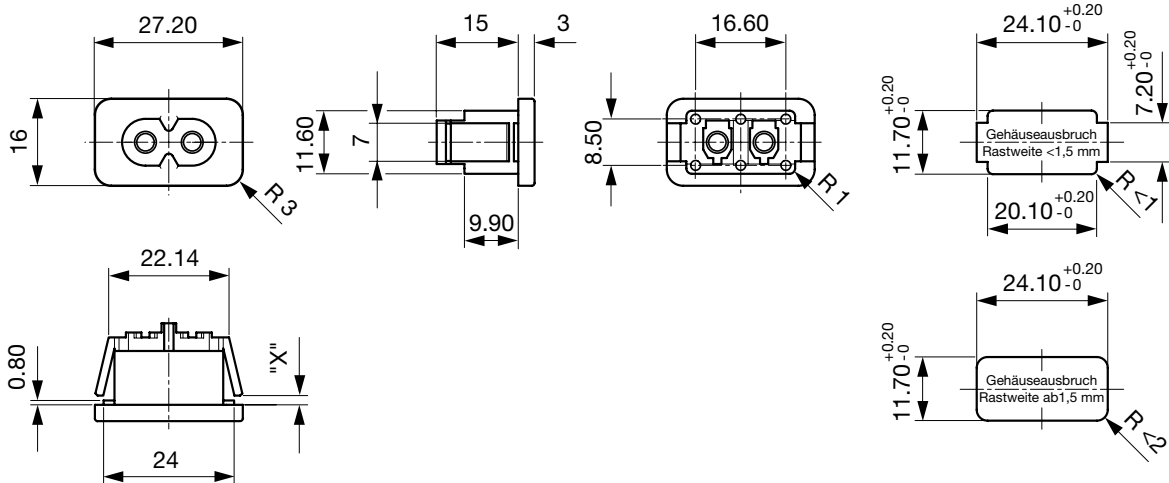
[pdf-datasheet](#), [html-datasheet](#), [General Product Information](#), [Approvals](#), [CE declaration of conformity](#), [RoHS](#), [CHINA-RoHS](#), [Mating Connectors](#), [e-Shop](#), [SCHURTER-Stock-Check](#), [Distributor-Stock-Check](#), [CAD-Drawings](#), [Accessories](#), [Mounting instruction](#), [Detailed request for product](#)

**Technical Data**

Ratings IEC	2.5 A / 250 VAC; 50 Hz
Ratings UL/CSA	7 A / 250 VAC; 60 Hz
Dielectric Strength	> 3 kVAC between L-N > 1.5 kVAC between L/N-PE (1 min/50 Hz)
Allowable Operation Temp.	-25 °C to 70 °C
Degree of Protection	from front side IP 20 acc. to IEC 60529
Protection Class	Suitable for appliances with protection class II acc. to IEC 61140
Panel Thickness s	Snap-in version 1.5/2/2.5/3 mm
Material: Housing	PA6, black or grey, UL 94V-0

Appliance Inlet	C8 acc. to IEC 60320 UL 498, CSA C22.2 no. 42 (for cold conditions) pin-temperature 70 °C, 2.5A, Protection Class II
-----------------	---

**Dimensions**



Length of the terminal please find at the order code configuration table  
Dimension "X" please ref. to table order code

## Config. Code

2578 - H - A B C 0 - D - E G F

The characters are placeholders for the correspondingly keys of selections from the key tables.

2578 - H - A B C 0 - D - E G F = Type

Type	Configuration key
protection class 2	X

2578 - H - A B C 0 - D - E G F = Terminals

Terminal L	Configuration key
short solder terminal (L = 4.8 mm)	2
long solder terminal (L = 8.5 mm)	3
Blade terminal (2.8 x 0.8 mm)	7
Blade terminal (4.8 x 0.8 mm)	8
Blade terminal (6.3 x 0.8 mm)	9

2578 - H - A B C 0 - D - E G F = Terminals

Terminal N	Configuration key
short solder terminal (L = 4.8 mm)	2
long solder terminal (L = 8.5 mm)	3
Blade terminal (2.8 x 0.8 mm)	7
Blade terminal (4.8 x 0.8 mm)	8
Blade terminal (6.3 x 0.8 mm)	9

Symbols similar as in table A

2578 - H - A B C 0 - D - E G F = Terminals

Terminal Ground	Configuration key
without terminal	0

Symbols similar as in table A

2578 - H - A B C 0 - D - E G F = Color

Color	Configuration key
Black	A
Grey	B

2578 - H - A B C 0 - D - E G F = Style

Style	Configuration key
snap-in (x=panel thickness)	4

2578 - H - A B C 0 - D - E G F = Dimension X

Dimension "X"	Configuration key
15	
20	
25	
30	

The dimension "X" is displayed in ( $\frac{1}{10}$  mm). This information is also valid for the order code

2578 - H - A B C 0 - D - E G F = Orientation of Terminals

Orientation of Terminals	Configuration key
horizontal	A
vertical	B

**Variants**

Config. Code	Description	Order Number
2578-X-7700-A-425B	2578, IEC Appliance Inlet C8, 70°C, , version: 2, L: Blade terminal (2.8 x 0.8 mm), N: Blade terminal (2.8 x 0.8 mm), ground: without terminal, color: Black, design: snap-in (x=panel thickness), dimension X:	6160.0027
2578-X-2200-A-415B	2578, IEC Appliance Inlet C8, 70°C, , version: 2, L: short solder terminal (L = 4.8 mm), N: short solder terminal (L = 4.8 mm), ground: without terminal, color: Black, design: snap-in (x=panel thickness), dimension X:	6160.0029
2578-X-3300-A-420B	2578, IEC Appliance Inlet C8, 70°C, , version: 2, L: long solder terminal (L = 8.5 mm), N: long solder terminal (L = 8.5 mm), ground: without terminal, color: Black, design: snap-in (x=panel thickness), dimension X:	6160.0031
2578-X-9900-A-415B	2578, IEC Appliance Inlet C8, 70°C, , version: 2, L: Blade terminal (6.3 x 0.8 mm), N: Blade terminal (6.3 x 0.8 mm), ground: without terminal, color: Black, design: snap-in (x=panel thickness), dimension X:	6160.0032
2578-X-2200-A-425B	2578, IEC Appliance Inlet C8, 70°C, , version: 2, L: short solder terminal (L = 4.8 mm), N: short solder terminal (L = 4.8 mm), ground: without terminal, color: Black, design: snap-in (x=panel thickness), dimension X:	6160.0036
2578-X-9900-A-425B	2578, IEC Appliance Inlet C8, 70°C, , version: II, L: Blade terminal (6.3 x 0.8 mm), N: Blade terminal (6.3 x 0.8 mm), ground: without terminal, color: Black, design: snap-in (x=panel thickness), dimension X:	6160.0074
2578-X-7700-A-415B	2578, IEC Appliance Inlet C8, 70°C, , version: 2, L: Blade terminal (2.8 x 0.8 mm), N: Blade terminal (2.8 x 0.8 mm), ground: without terminal, color: Black, design: snap-in (x=panel thickness), dimension X:	6163.0016
2578-X-2200-B-425B	2578, IEC Appliance Inlet C8, 70°C, , version: 2, L: short solder terminal (L = 4.8 mm), N: short solder terminal (L = 4.8 mm), ground: without terminal, color: Grey, design: snap-in (x=panel thickness), dimension X:	6163.0017

The listed variants should be available from stock Other versions on request [www.schurter.com/contact](http://www.schurter.com/contact)

Most Popular.

Availability for all products can be searched real-time:<http://www.schurter.com/en/Stock-Check/Stock-Check-SCHURTER>

**Packaging unit** 100 Pcs

**Accessories**



**Description**

**Retainer**  
Retainer for power supply cord

**Mating Outlets/Connectors**

**Category / Description**

**Power Cord Overview complete**



EU Power Cord with IEC Connector C7, Straight	6013.0474
EU Power Cord with IEC Connector C7, Straight	6013.0478

[Power Cord further types to 2578](#)

**Power Supply Cord Overview complete**



US Power Supply Cord with C7 Plug, Straight	6010.5274
US Power Supply Cord with C7 Plug, Straight	6010.5278

[Power Supply Cord further types to 2578](#)