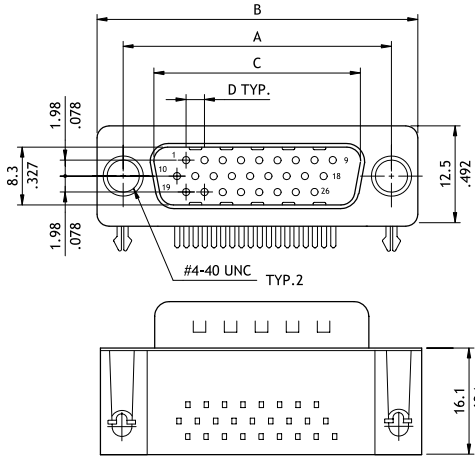


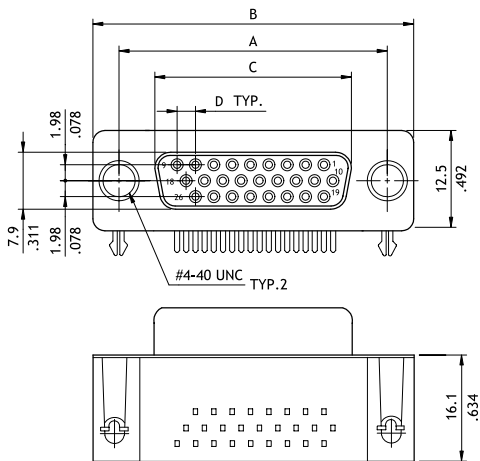
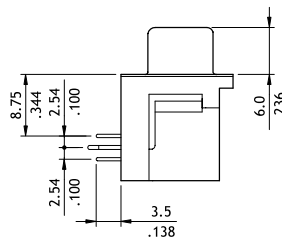
CD05 Series High Density Right Angle DIP Solder D-Sub

- Mate with standard D-Sub
- With metal shell and solder tails
- Riveted grounding hooks or tabs options



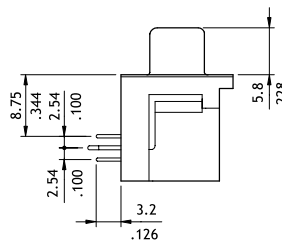
Plug Connector

| Circuits | Dimension | | | |
|----------|--------------|-------------|--------------|------------|
| | A | B | C | D |
| 15 | 25.0(.984) | 30.8(1.213) | 16.92(.666) | 2.29(.090) |
| 26 | 33.32(1.312) | 39.2(1.543) | 25.25(.994) | 2.29(.090) |
| 44 | 47.04(1.852) | 53.1(2.091) | 38.96(1.534) | 2.29(.090) |
| 62 | 63.5(2.500) | 69.4(2.732) | 55.42(2.182) | 2.41(.095) |



Receptacle connector

| Circuits | Dimension | | | |
|----------|--------------|-------------|-------------|------------|
| | A | B | C | D |
| 15 | 25.0(.984) | 30.8(1.213) | 16.3(.642) | 2.29(.090) |
| 26 | 33.32(1.312) | 39.2(1.543) | 24.6(.969) | 2.29(.090) |
| 44 | 47.04(1.852) | 53.1(2.091) | 38.3(1.508) | 2.29(.090) |
| 62 | 63.5(2.500) | 69.4(2.732) | 54.8(2.157) | 2.41(.095) |



Ordering Code

1 **CD05** **2** **15** **3** **S** **4** **2** **5** **1** **6** **F0**

- 1** Series No.
- 2** Contacts:
15,26,44,62
- 3** Connector type:
P= Plug
S= Receptacle
- 4** Plating code:
2= Gold flash over Nickel
A= Selective Gold flash over Nickel
*Optional plating available but MOQ requested
- 5** Insulator Color:
1= Black
*Optional insulator color consult manufacturer
- 6** Other options:
F0= Riveted ground hooks with #4-40 UNC open (Standard)
I0= Riveted ground tabs thread #4-40 UNC open and ground tabs with ϕ 3.2mm holes
J0= Assembly ground hooks by #4-40 UNC Hex screws
G0=Riveted ground hooks pre-loaded #4-40 UNC Hex screws
*Special options consult manufacturer