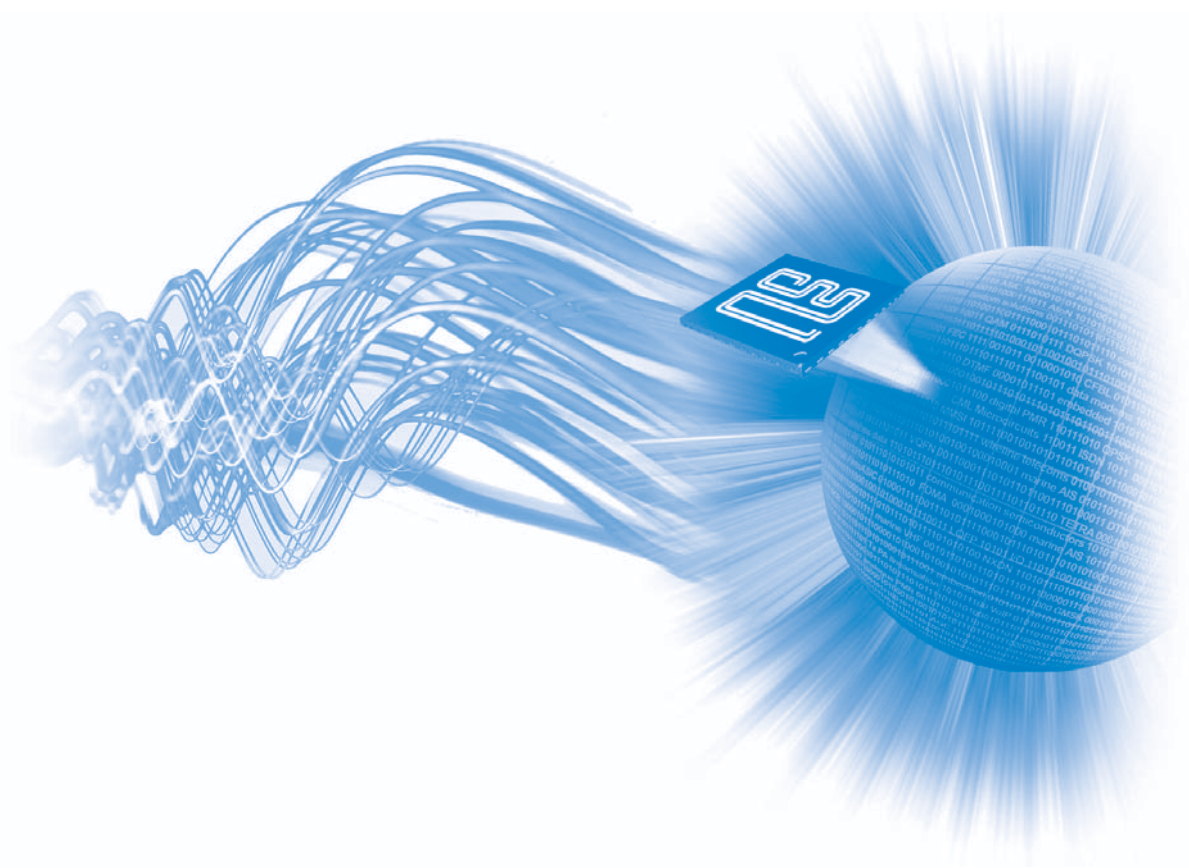


Communications IC Selection Guide



EDITION

12



CML Microsystems Plc

hyperston



CML Microcircuits

COMMUNICATION SEMICONDUCTORS



Applied
Technology

Performance RF and Software Solutions



CML Microcircuits
(USA) Inc.

COMMUNICATION SEMICONDUCTORS



CML Microcircuits
(UK) Ltd

COMMUNICATION SEMICONDUCTORS



CML Microcircuits
(Singapore) Pte Ltd

COMMUNICATION SEMICONDUCTORS

CML Microsystems Plc - Semiconductors' Family Tree

Acknowledgements

- DuraTALK® is a registered trademark of CML Microsystems Plc.
 - FirmASIC® is a registered trademark of CML Microsystems Plc.
 - Function Image™ is a trademark of CML Microsystems Plc.
 - RALCWI™ is a trademark of CML Microsystems Plc.
 - Tone Clone™ is a trademark of CML Microsystems Plc.
-
- dPMR® is a registered trademark of the dPMR MoU
 - NXDN™ is a trademark of Icom Incorporated and Kenwood Corporation

Contents List

CML Microsystems Plc - Semiconductors' Family Tree	Inside front cover
Acknowledgements	Inside front cover
CML Microsystems Plc	2
CML Microcircuits	2
CML Microcircuits (UK) Ltd	2
CML Microcircuits (USA) Inc.	3
CML Microcircuits (Singapore) Pte Ltd	3
CML Support Services	4
Product Lists	
Focus Products	6
Evaluation Resources	8
Package Styles	9
Packaging for Despatch	10
Product Reliability	11
Product Searches	
. . by Application	12
. . by Function	13
Product Overviews	15 to 102
RF	19
Analogue Two-way Radio	27
Digital PMR/LMR	39
Narrowband Wireless Data	45
Marine Safety and Comms	57
Digital Voice	63
<i>DuraTALK® - CML's Digital Voice Products</i>	64
Custom ASIC Design	72
Embedded Products	77
Wireline Data	81
Telephony	93

CML Microsystems Plc

CML Microsystems Plc was founded in 1968 in the United Kingdom (as Consumer Microcircuits Limited). Today, through eight operating subsidiaries located in the UK, the United States, Germany, Singapore and Taiwan, the Group designs, manufactures and markets a range of integrated circuits (ICs) and support products for global industrial, professional and consumer applications within wireless communication, wireline communication, storage and networking market areas.

The Group maintains and enhances its market position by delivering an array of products that are often designed in conjunction with customers' specifications and/or complex international standards.

CML Microsystems Plc Ordinary shares are traded on the Official List of the London Stock Exchange. Full information can be found on the Group website: www.cmlmicroplc.com.

Oval Park - Langford - Maldon - Essex - CM9 6WG - UK
Telephone: +44 (0)1621 875500 - Telefax: +44 (0)1621 875606
e-mail: group@cmlmicroplc.com - www.cmlmicroplc.com



CML Microcircuits (CML) comprises three member companies of the CML Microsystems Plc group: CML Microcircuits (UK) Ltd, CML Microcircuits (USA) Inc. and CML Microcircuits (Singapore) Pte Ltd.

Founded in 1968, CML Microcircuits has developed to become a world-leader in the design, development and supply of low-power analogue, digital and mixed-signal semiconductors for communications systems worldwide.

CML's expertise in the sub-micron CMOS process allows it to produce highly integrated circuits with high performance, ultra-low power-consumption and small form factor. CML's semiconductor products are available throughout the world via an extensive network of distributors and representatives. Further information on CML's distribution network is available from the CML website.

CML is supportive of conserving the natural environment and aims to manage its operations in ways that are environmentally friendly and economically viable. CML can provide RoHS compliant, lead-free (Pb-free) products. CML's Environmental Policy can be found on the CML website (www.cmlmicro.com).



As the strategic lead company, CML Microcircuits (UK) Ltd designs, manufactures and markets highly innovative analogue, digital, mixed-signal and RF integrated circuits.

Located at the Group headquarters in rural Essex, CML (UK) provides the main design centre, co-ordinating semiconductor design and strategic activities including sales and marketing. From this facility CML provides full customer support in the form of comprehensive product documentation, application support and commercial advice, with access to the CML team of field sales engineers backed-up by its in-house help desk staff: qualified engineers providing up-to-date technical and product information.

The activities at this location, combined with the activities in the USA and Singapore, enables CML to serve customers around the world quickly and effectively.

CML Microcircuits (UK) Ltd is certified to ISO 9001: 2008.

Established 1968 as Consumer Microcircuits Limited, CML Microcircuits (UK) Ltd is 100% owned by CML Microsystems Plc.



CML Microcircuits (UK) Ltd

Oval Park - Langford - Maldon - Essex - CM9 6WG - UK
Telephone: +44 (0)1621 875500 - Telefax: +44 (0)1621 875600
e-mail: sales@cmlmicro.com - www.cmlmicro.com

- Design
- Manufacturing
- Sales and Marketing
- Technical and Commercial Support





**CML Microcircuits
(USA) Inc.**

COMMUNICATION SEMICONDUCTORS

Located in Winston-Salem, North Carolina, CML Microcircuits (USA) Inc. provides sales, marketing and technical and commercial support for the company's highly innovative analogue, digital, mixed-signal and RF integrated circuits.

As an integral part of the CML Microcircuits' global sales and marketing channels, the dedicated sales and customer support teams provide on-going service, application support and commercial advice.

As the company's presence in the Americas, CML (USA), with its network of distributors and representatives, can respond to customers' requirements armed with an extensive knowledge of local systems and technologies, whilst also supplying the other CML member companies with feedback on local specifications, requirements and operational climates.

The activities at this location, combined with support and advice from the UK and Singapore companies, enable CML Microcircuits (USA) Inc. to serve its customers quickly and effectively.

CML Microcircuits (USA) Inc. is certified to ISO 9001: 2008.

Established 1980 as MX-COM, Inc., CML Microcircuits (USA) Inc. is 100% owned by CML Microsystems Plc.



CML Microcircuits (USA) Inc.

465 Corporate Square Drive - Winston-Salem - NC 27105 - USA

Telephone: + 1 336 744 5050 - Telefax: + 1 336 744 5054

e-mail: us.sales@cmlmicro.com - www.cmlmicro.com

- Sales and Marketing
- Technical and Commercial Support




**CML Microcircuits
(Singapore) Pte Ltd**

COMMUNICATION SEMICONDUCTORS

Located in the central vicinity of Singapore, CML Microcircuits (Singapore) Pte Ltd markets CML's highly innovative analogue, digital, mixed-signal and RF integrated circuits.

CML (Singapore) plays a dominant role in the presentation of the CML brand image to the highly competitive and high growth Asia Pacific region.

Together with its established distribution network in the Far East and ASEAN regions, CML (Singapore) generates sales and marketing opportunities and constantly feeds back to other member companies, the requirements and specifications from local regions to generate product definitions and applications.

Working closely with the other CML member companies, CML (Singapore) identifies manufacturing locations and companies within its regions for design activities that have been carried-out outside its regions and guides and supports the customers commercially and technically.

Established 1995, CML Microcircuits (Singapore) Pte Ltd is 100% owned by CML Microsystems Plc.



CML Microcircuits (Singapore) Pte Ltd

150 Kampong Ampat - #05-03A KA Centre, Singapore 368324

Telephone: +65 62888129 - Telefax: +65 62888230

e-mail: sg.sales@cmlmicro.com - www.cmlmicro.com

- Sales and Marketing
- Technical and Commercial Support



CML Support Services

The CML Microcircuits IC Selection Guide - *this document*

A basic introduction to CML Microcircuits, its constituent companies and its products. Presents, in shortform, a comprehensive overview of the company's current product portfolio.

The CML Microcircuits Website

The CML website (www.cmlmicro.com) is available to provide you with up-to-the-minute information and news on CML's activities, products and technologies. Product information is easily located via a comprehensive search function which achieves product location by product number, market application and product features.

With convenient on-page links to the other CML Microsystems Plc companies, this site gives you access to all current CML products and resource listings in both overview and full-data format.



All CML datasheets and user manuals are available for download in Adobe Acrobat (.pdf) format.

In addition to, and in support of the datasheets and user manuals, this site carries the latest in CML product evaluation and application information.

Additionally the website provides the latest press information, a frequently-asked-questions (FAQ) section, distributor and representative contact information and an on-line registration service for technical updates. Quality and technical support sections are also available.

The website 'registration service' allows users to register for regular e-mail updates of products and topics of interest.

You can, at any time, update your preferences via the My CML dropdown menu.

The CML Technical Portal

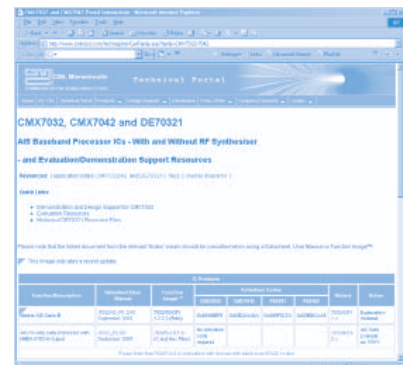
This unique resource is available to provide comprehensive technical support on many of CML's new generation ICs and evaluation aids, including the new range of products designed on *FirmASIC*® technology.

Using a higher level of registration, downloadable from these areas are:

- IC datasheets and separate user manuals
- EvKit and DemoKit user manuals and software/firmware
- IC, EvKit and DemoKit Function Image™ data files
- Operational update notices

All registered users will receive immediate e-mail notification of any changes and/or additions to their relevant portal area/s. Registration to this resource is easily arranged via CML sales or support staff.

For access and further information, please contact your local CML distributor or representative.



'Innovations' Documents

Descriptive documents that illustrate a product or system's main features, applications and operation. These documents provide basic information on a product or family of products to enable design engineers to quickly target a CML IC for a particular end-product design.

Product Datasheets and User Manuals

Complete technical documentation for the operation, implementation and use of a CML product in an end-product design. These documents provide all the information, including technical specifications, required to use a CML product in an end-product or system.

It is always recommended that before commencing a circuit design, users confirm that they have the most up-to-date product datasheet; these are available from the CML website (www.cmlmicro.com).

Application Notes

Downloadable from the CML website, these documents provide additional 'late-breaking' or alternative 'application' information for the implementation and/or operation of CML products or allied specific systems.

Frequently Asked Questions (FAQs)

Extensive lists of questions that have been previously asked. CML has formulated explanatory answers to the most common problems encountered by customers in the past. As a part of the CML website, it is recommended that users view these indexed pages before, or if any, problems arise when dealing with CML products or allied systems.

CML's products are well supported in terms of documentation and the CML website. Additionally, in support of these publications, all customers have access to:

- CML's area sales teams
- CML's help desks
- Downloadable scripts
- CML's distributors and representatives
- The CML 'Live Query Service'

CML Field Sales

Teams of commercially and technically qualified sales engineers, with territorial knowledge, providing front-line support to the distributor, representative and customer.

This 'customer-facing' function is available to provide continuous awareness and training in current communications technologies and in particular, the successful implementation of CML products.

CML Help Desks

Interactive teams of highly qualified Application Engineers providing global technical and product support.

Having full access to the company's marketing, engineering-design and production facilities, these teams will provide fast, accurate application support and high-quality design advice.

The CML Help Desk staff are also active in the production of product application notes, flow diagrams, system sketches and any other information that will assist with emerging, new and existing designs.

The Frequently Asked Questions (FAQ) section of the CML website is regularly updated to provide instant answers to the most popular queries and is an excellent starting point when implementation difficulties arise.

techsupport@cmlmicro.com

us.techsupport@cmlmicro.com

sg.techsupport@cmlmicro.com



Downloadable Scripts

This script language has been developed for evaluating CML's new generation ICs including *FirmASIC*®-based products, and greatly simplifies the approach to the evaluation and design-in process.

A host PC-based GUI loads, compiles and controls scripts, which are plain text files, and executes them on the PE0002.

The scripts use a simple syntax and include flexible program flow control, data manipulation and message display.

CML's Worldwide Network of Distributors and Representatives

CML's operations worldwide are served, on all continents, by local distributors and representatives providing support to customers by local qualified staff with a comprehensive knowledge of the region and its industries.

Distributors and representatives constantly update CML with local technical and commercial trends to further enhance CML's products, support and service.

An up-to-date list of CML distributors and representatives can be found on the CML website. It is recommended that you always check the CML website for the most up-to-date contact information (www.cmlmicro.com).

CML's Live Query Service - 'Ask a Question'

If the answer to your CML oriented query cannot be found in our Frequently Asked Questions section, this service allows you to send your enquiry directly to CML. This service ensures that your question will reach the correct person and will be answered in the shortest possible time.



Please Note: The information and product overviews provided in this guide are for information purposes only. CML does not assume any responsibility for the use of any circuitry described.

No IPR or circuit patent licences are implied. CML reserves the right at any time without notice to change the said circuitry and product specifications.

Product information is available from this document in short-form, however it is recommended that before commencing a circuit design, users check the relevant product datasheet or user manual, available from the CML website (www.cmlmicro.com), to ensure that they have the most up-to-date product data.

- Company and system trademarks and proprietary protocols are acknowledged -

The Product List - Focus Products

Focus IC Products detailed in this selection guide and indexed on these two pages are products that are production-released and recommended for new designs.

Mature IC Products are those that are production-released but not recommended for new designs.

Further details of both Focus and Mature products can be obtained from the CML Microcircuits website (www.cmlmicro.com).

		Wireless		Wireline	
		Two-way Radio	Wireless Data	Wireline Data	Telephony
MX019	Digitally Controlled Quad Amplifier Array				94
FX/MX029	Dual Digitally Controlled Amplifier Array				95
FX/MX128	Audio Band Scrambler	28			
CMX138A	Audio Scrambler and Sub-audio Signalling Processor	29			
CMX148	PMR Audio and Data Processor	30			
FX214 FX224	Variable Split-band Audio Scrambler	31			
CMX264	Frequency Domain Split-band Scrambler	32			
FX/MX465	Extended-code CTCSS Encoder/Decoder	33			
CMX469A	1200/2400/4800 Baud FFSK Modem		46		
CMX589A	GMSK Modem		47		
CMX602B	Calling Line Identifier plus Call Waiting				96
FX/MX604	V.23 Compatible Modem			82	
CMX605	Digital-to-Analogue (POTS) Signalling Interface - with DTMF Codec				97
CMX608 CMX618 CMX638	RALCWI™ Vocoders	65			
DE6181	Digital PMR/LMR IC Demonstration and Evaluation Kits		40		
ATB010					
CMX612	Calling Line ID plus Dial Tone Decode for VMWI (Voice-Message Waiting Indicator)				98
FX/MX614	Bell 202 Compatible Modem			83	
FX619	'Eurocom' Delta Codec	66			
MX629	'Military' Delta Modulation Codec	67			
CMX631A	SPM Detector				99
CMX639	CVSD Voice Codec	68			
CMX641A	Dual SPM Detector plus Payphone Security				100
CMX649	Adaptive Delta Modulation (ADM) Voice Codec	69			
CMX654	V.23 Transmit Modulator			84	
CMX673	Call Progress Tone Detector				101
CMX683	Call Progress and "Voice" Detector				102
CMX7031 CMX7041	- Two-way Radio Processor with RF Support - 4FSK Modem with RF Support - C4FM Modem with RF Support	34			
CMX7032 CMX7042	- AIS Baseband Processor with RF Synthesiser - AIS Rx Only Data Processor with NMEA 0183-HS Output		58		
DE70321	AIS Development and Demonstration Kit		59		

		Wireless		Wireline	
		Two-way Radio	Wireless Data	Wireline Data	Telephony
CMX7131 CMX7141	- dPMR [®] Processor - Analogue TWR Processor - DCR-specific (ARIB STD-T98) 4FSK Modem - NXDN [™] -specific 4FSK Modem - dPMR [®] and Analogue PMR446 Processor	41			
CMX7143	- GMSK/GFSK Modem - 4FSK Modem - FFSK/MSK Modem		48		
CMX7163	QAM Modem		49		
CMX7164	Multi-mode (2FSK, 4FSK and QAM) Modem		50		
CMX7261	Voice Multi-transcoder	70			
CMX823	Multi-standard Analogue Paging Decoder	35			
CMX8341	Digital PMR (dPMR [®]) and Analogue Baseband Processor	42			
CMX838	FRS/PMR446/GMRS 'Family Radio' Processor	36			
CMX850	Communications Controller				76
CMX860	Telephone Signalling Transceiver			85	
CMX865A	DTMF Codec/FSK Modem Combo			86	
CMX866	V.22 bis Modem with AT Command Set			87	
CMX867A	Low Power V.22 Modem			88	
CMX868A	Low Power V.22 bis Modem			89	
CMX869B	V.32 bis Modem			90	
CMX881	Baseband Processor for PMR and Trunked Radios				
CMX882	Baseband Processor plus GPS Data Transport for FRS, MURS, PMR446 and GMRS 'Leisure' Radio	37			
CMX883	Baseband Processor for FRS, MURS, PMR446 and GMRS 'Leisure' Radio				
CMX885	Marine VHF Audio and Signalling Processor	60			
CMX909B	GMSK Packet-data Modem		51		
CMX910	AIS Baseband Processor		61		
FX/MX919B	4FSK Packet-data Modem		52		
FX929B	4FSK RD-LAP Packet-data Modem		53		
CMX969	4FSK RD-LAP/MDC4800 Modem		54		
CMX981	Advanced Digital Radio Baseband Processor	43			
CMX990	GMSK Packet-data Modem and RF Transceiver		20		
CMX991	RF Quadrature Transceiver		21		
CMX992	RF Quadrature Receiver		22		
CMX993/CMX993W	RF Quadrature Modulator		23		
CMX994	Direct Conversion Receiver		24		
CMX998	Cartesian Feedback Loop Transmitter	25			

Evaluation Resources

CML offers a wide range of evaluation and demonstration kit products. Usually these kits are in the form of populated printed circuit boards, including where relevant, software. Images of the product are published on the relevant IC overview pages of this guide. Further in-depth information on each individual 'kit' can be found on the CML Microcircuits website (www.cmlmicro.com).

Integrated Circuit Evaluation and Demonstration Kits

	ATB010	dPMR® RF Demonstrator
	EV1480	CMX148 Evaluation Kit
	EV6180	CMX608 and CMX618 Evaluation Kit
DE6181	CMX618 and CMX7141 Digital PMR/LMR Demonstration Kit	
EV6380	CMX638 Evaluation Kit	
DE6491	CMX649 Wireless Voice Link Demonstration Kit	
DE70321	AIS Technology Demonstration Kit - <i>additional design resources are available from the CML website</i>	
EV8500	CMX850 Evaluation Kit	
EV8600	CMX865A, CMX867A and CMX868A Evaluation Kits	
HB865A	DIL Header Board for CMX865A - <i>for use with EV8600</i>	
DE8661	CMX866 Demonstration Kit, DAA Reference Diagram and 'Socket-type' Modem	
DE8681	CMX865A, CMX867A and CMX868A Demonstration Kit, 'Socket-type' Modem and DAA Reference Design	
DE8691	CMX869B Demonstration Board and 'Socket-type' Modem	
EV8850	CMX885 Evaluation Kit	
EV9100	CMX910 Evaluation Kit	
EV9810	CMX981 Evaluation Kit	
EV9910B	CMX991 Evaluation Kit	
EV9920B	CMX992 Evaluation Kit	
EV9930	CMX993 Evaluation Kit	
EV9930W	CMX993W Evaluation Kit	
EV9940	CMX994 Evaluation Kit	
EV9980	CMX998 Evaluation Kit	
PE0002	Evaluation Kit Interface Card - <i>a global interface system for use with evaluation kits for CML's new generation ICs</i>	
PE0201	CMX703x Series Evaluation Kit	
PE0402	CMX704x Series Evaluation Kit	
PE0601 - 7163	CMX7163 Evaluation Kit	
PE0601 - 7164	CMX7164 Evaluation Kit	
PE0601 - 7261	CMX7261 Evaluation Kit	

Package Styles

Legend

Cerdip

ceramic dual-in-line

CLCC

ceramic leaded chip carrier

DIL

dual-in-line

LQFP

low-profile quad flat pack

PDIP

plastic dual-in-line

PLCC

plastic leaded chip carrier

SSOP

shrunk small-outline package

SOIC

small-outline integrated circuit

TQFP

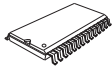


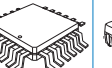

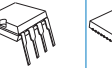
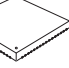
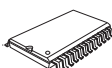
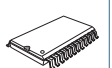

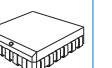

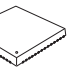

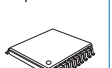



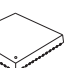






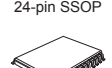


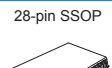

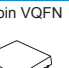
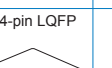
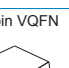
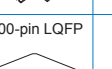



thin quad flat pack

TSSOP

thin shrunk small-outline package

VQFN

very-thin quad flat pack

	D	E	J	L	M	P	Q
1	28-pin SOIC  DW	28-pin TSSOP 	14-pin cerdip DIL  J	24-pin PLCC  LG	28-pin ceramic CLCC  M1	8-pin PDIP  P	64-pin VQFN 
2	24-pin SOIC  DW	24-pin TSSOP  TN	16-pin cerdip DIL  J	24-pin PLCC  LH LS		14-pin PDIP  P	56-pin VQFN 
3	20-pin SOIC  DW	20-pin TSSOP 	22-pin cerdip DIL  J	28-pin PLCC  LH 8 LH		16-pin PDIP  P	48-pin VQFN 
4	16-pin SOIC  DW	16-pin TSSOP 	24-pin cerdip DIL  J	48-pin LQFP 		24-pin PDIP  P	40-pin VQFN 
5	24-pin SSOP  DS		28-pin cerdip DIL  J				32-pin VQFN 
6	28-pin SSOP 			44-pin PLCC 			24-pin VQFN 
7				44-pin LQFP 			16-pin VQFN 
8				100-pin LQFP 			
9				64-pin LQFP 			
10				144-pin LQFP 			
11				32-pin TQFP 			

Note: Package illustrations are not to scale

Package Styles - Alternative Suffixes

CML's IC package styles are recognised by the suffixes described via the cells of the table above.

However, some previously published documents refer to these same package styles with other suffixes. Such publications would be pre-1995 CML datasheets and older published product data bulletins. These alternative (older) package suffixes are shown, where appropriate, in the relevant cell of the above table.

Nomenclature: For the purposes of this document, the physical IC connection descriptions of 'lead', 'leadless' and 'pin' etc. are represented by the single term 'pin'. The relevant descriptions are given by the images above.

Packaging for Despatch

The table on the previous page illustrates the physical appearances of CML's integrated circuit packages (for clarity, suffixes used in older documentation are shown within the relevant cell).

For handling/loading ease and convenience, CML products are packed for despatch in industry-standard bulk or individual packaging as described below:

- Trays and cardboard boxes with conductive foam
- Pocketed conductive trays for surface-mount microcircuits
- Antistatic coated tubes, of various sizes, with thumbplugs or pins
- 13-inch reel Tape-and-Reel packaging which fully conforms to the latest International Electrotechnical Commission (IEC) specification. The conductive embossed tape provides a secure cavity sealed with a peel-back cover tape.



Relevant configurations are shown in the table below; no partial reel counts are available.

CML can provide RoHS compliant, lead-free (Pb-free) products. CML's Environmental Policy can be found in the 'Quality' section of the CML website (www.cmlmicro.com).

Note: For the purposes of this document, the physical IC connection descriptions of 'lead', 'leadless' and 'pin' etc. are represented by the single term of 'pin'. The relevant descriptions are given by the images on the previous page.

Suffix	Description	Tube	Tape	Tray
D1	28-pin SOIC	27	1000/1500	
D2	24-pin SOIC	31	1000/1500	
D3	20-pin SOIC	38	1000/1500	
D4	16-pin SOIC	47	1000/1500	
D5	24-pin SSOP	59	1000/1500	
D6	28-pin SSOP	47	1000/1500	
E1	28-pin TSSOP	50	1000/2000/3000	
E2	24-pin TSSOP	62	1000/2000/3000	
E3	20-pin TSSOP	74	1000/2000/3000	
E4	16-pin TSSOP	95	1000/2000/3000	
J1	14-pin cerdip DIL	25		
J2	16-pin cerdip DIL	25		
J3	22-pin cerdip DIL	18		
J4	24-pin cerdip DIL			20
J5	28-pin cerdip DIL			20
L1 (LG)	24-pin PLCC (Gull)		500	50
L2 (LS)	24-pin PLCC (Hook)	45	500	
L3 (LH)	28-pin PLCC (Hook)	39	500	50
L4	48-pin LQFP (Gull)		1000/2000	250
L6	44-pin PLCC (Hook)	27	500	
L7	44-pin LQFP (Gull)		1000	160
L8	100-pin LQFP (Gull)		1000	90
L9	64-pin LQFP (Gull)		1000	160
L10	144-pin LQFP (Gull)		<i>contact CML</i>	
L11	32-pin TQFP (Gull)		<i>contact CML</i>	
M1	28-pin CLCC (Hook)		500	50
P1	8-pin PDIP	50		
P2	14-pin PDIP	25		
P3	16-pin PDIP	25		
P4	24-pin PDIP	15		
P5				
P6				
Q1	64-pin VQFN		1000/2000/3000/3500	260
Q2	56-pin VQFN		1000/2000/3000/3500	260
Q3	48-pin VQFN		1000/2000/3000/3500	260
Q4	40-pin VQFN		1000/2000/3000/3500	<i>contact CML</i>
Q5	32-pin VQFN		1000/2000/3000/4000/5000	<i>contact CML</i>
Q6	24-pin VQFN - <i>contact CML</i>			
Q7	16-pin VQFN - <i>contact CML</i>			

Where your packaging requirement is not detailed above, please contact CML Microcircuits or your local distributor or representative.

Tape and Reel products are ordered by adding the suffix "T/R" to the part number.

For up-to-date information, please visit the CML website or contact CML.

Product Reliability

Design for Reliability

New products are only approved for production after undergoing the CML approved formal design process that has been certified to ISO 9001:2008.

A design authority is allocated at the conceptual stage of the project. This person is responsible for the technical aspects of the design; both throughout the design stages and during the lifetime of the product.

Design rules automatically check and ensure that IC layouts comply with the appropriate requirements for the design and technology.

Design verification includes automated simulation, design checking, layout checking, evaluation of prototypes and characterisation.

Design reviews are held at critical stages throughout the design. This ensures that all necessary requirements have been met before continuing on to the next stage of the design process.

Manufacture for Reliability

Package manufacturing is carried out at the CML assembly facility certified to ISO 9001:2008, or by similarly qualified outside sources.

A process owner is allocated to each process used within the CML production life cycle. This person is responsible for all process qualification and approval.

The CML Quality Managers are responsible for ensuring that reliability qualification tests are planned, carried out, and any problems resolved.

Typical conditions for reliability qualification tests are illustrated below:

Reliability Qualification Test Items and Conditions

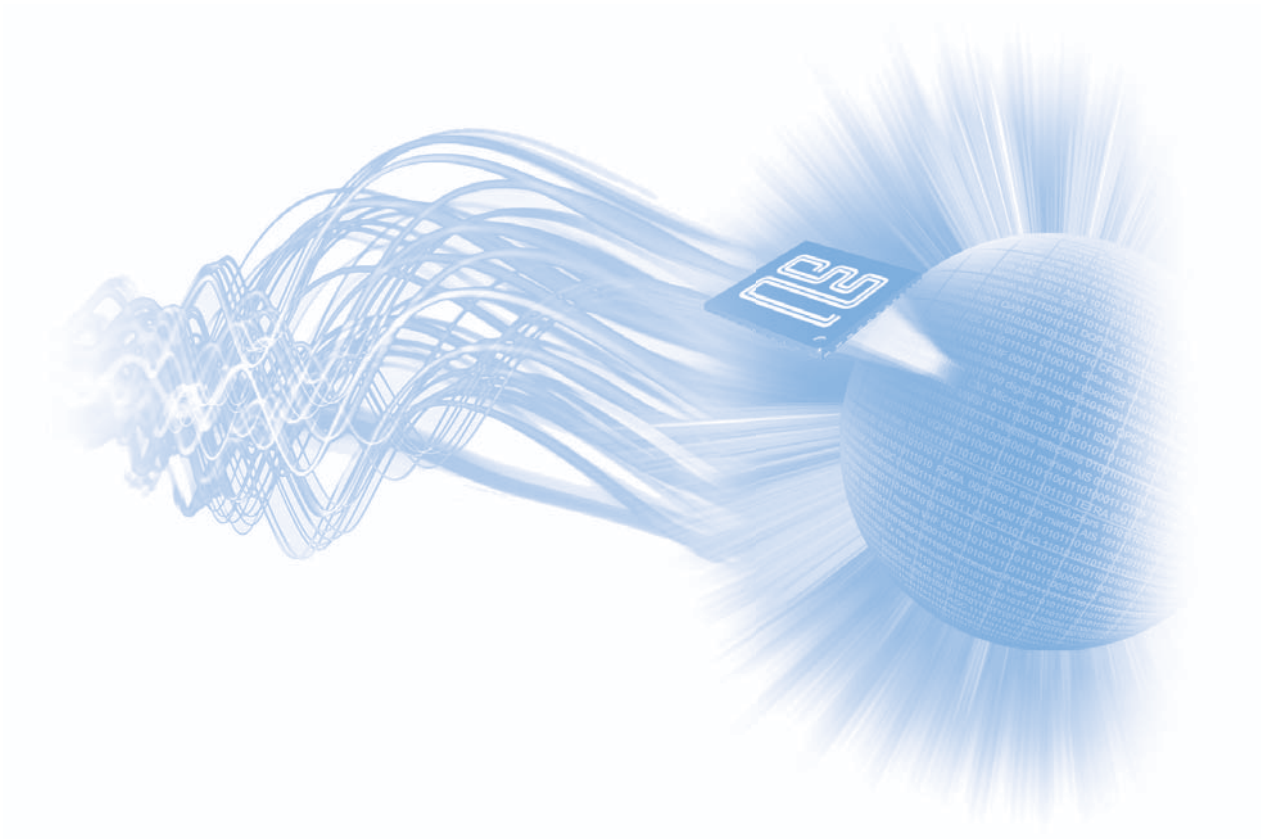
	Test Items	Reference Standard
Life Test	Operating Life Test	Mil Std 883H - Method 1005.9
Stress Test	Latch Up	EIJ/JESD78C
	ESD	Mil Std 883H - Method 3015.8
Environmental Test	Temperature Cycle ⁽¹⁾	Mil Std 883H - Method 1010.8
	High Temperature Store	Mil Std 883H - Method 1008.2
	Low Temperature Store	EIAJ ED-4701/202
	PCT	JESD22-A102D
	Thermal Shock	Mil Std 883H - Method 1011.9
Mechanical Test	Resistance to Soldering Heat Test	Mil Std 750E - Method 2031.3
	Solderability	Mil Std 883H - Method 2003.9
	Lead Fatigue	Mil Std 883H - Method 2004.6
	Lead Tension	Mil Std 883H - Method 2004.6
	Marking Permanence	Mil Std 883H - Method 2015.13

Note - Please refer to the CML Microcircuits website (www.cmlmicro.com) quality section for further details.

⁽¹⁾ May be replaced by Thermal Shock.



CML Product Overviews



Application Specific Semiconductor Products for Global Communications Systems

RF

Analogue Two-way Radio
and Digital PMR/LMR

Wireless
Data

Marine Safety
and Comms

Digital Voice

Custom

Embedded

Wireline
Data and Telephony



CML Products

Welcome

To the latest edition of the CML Microcircuits IC Selection Guide. For ease of location, the products detailed in this shortform catalogue are divided into the application sections as described below:

RF

Versatile RF, IF and synthesiser support circuitry for voice and data applications in both the analogue and digital radio fields of operation.

Analogue Two-way Radio

ICs supporting all aspects of voice, data and signalling in analogue PMR, trunked and leisure radio and paging applications. Most functions are available singularly or in comprehensive baseband-processing combinations.

Digital PMR/LMR

ICs covering voice, data and signalling requirements in digital PMR/LMR applications. Features available include voice codecs, high performance filters, external circuit monitoring and air interfaces.

Narrowband Wireless Data

Custom, freeformat and packet data products for use in PMR, trunked and leisure radio and telemetry, AIS and data-transfer applications. Most common data-transfer protocols are addressed at a range of speeds, utilising: FSK, FFSK/MSK, GMSK, pi/4DQPSK, 4FSK and QAM schemes.

Marine Safety and Comms

Comprehensive baseband processing and data functions for both Class A and Class B marine Automatic Identification System equipments. Audio, signalling and data processing is available for marine VHF communications.

DuraTALK® Digital Voice

CML's digitally-coded voice processing product family employing RALCWI™ digital voice technology, Continuously Variable Slope Delta Modulation (CVSD), Pulse Coded Modulation (PCM) and Adaptive Delta Modulation (ADM) voice-data schemes.

Custom Product Resources

By using both CML's FirmASIC® and/or custom IC platforms we offer a complete turnkey service for the design and supply of ASIC devices, supporting all stages of ASIC development, from concept through design, layout, prototype test, debug and supply of production devices.

Embedded Products

The range of embedded products detailed includes the CMX850 Communications Controller IC and the Hyperstone portfolio of memory card controllers and network communication controllers. Hyperstone, a fabless semiconductor company and a member of the CML Plc Group, offers a wide range of microprocessor and microcontroller products based on unified RISC/DSP architecture.

Wireline Data

A comprehensive portfolio of data products operating to a range of ITU 'V' and Bell specifications. The majority of these versatile products include on-chip, wireline signalling applications to offer true end-to-end communications.

Wireline Telephony

Voice, signalling and ISDN products for wireline applications. Analogue, digital and mixed-mode (POTS-to-ISDN) products are available singularly or in multi-feature combinations.

NOTES

Analogue Two-way Radio
and Digital PMR/LMR

Wireless
Data

Marine Safety
and Comms

Digital Voice

Custom

Embedded

Wireline
Data and Telephony

RF Products by Function

	GMSK	Synthesiser/s	RF Circuits	IF Circuits	Cartesian Loop	Direct Conversion Rx	EVKit/s	Page No.
CMX990 GMSK Packet-data Modem with RF Transceiver	•	•	•	•				20
CMX991 RF Quadrature Transceiver		•	•	•			•	21
CMX992 RF Quadrature Receiver		•	•	•			•	22
CMX993/CMX993W RF Quadrature Modulator			•	•			•	23
CMX994 Direct Conversion Receiver <i>(Advance Information)</i>		•				•		24
CMX998 Cartesian Feedback Loop Transmitter					•		•	25

Relevant Products in Other Sections

CMX7031 Two-way Radio Processor with RF Support	Analogue Two-way Radio Products	34
CMX7032 AIS Baseband Processor with RF Synthesisers	Marine Safety and Comms Products	58

- available function

Versatile RF, IF, baseband and synthesiser support circuitry for voice and data applications in both the analogue and digital radio fields of operation.

CMX990 GMSK Packet-data Modem with RF Transceiver

A Single-chip Synthesised Narrowband Wireless-modem IC

Features

- Single-chip RF Transceiver and GMSK Modem
- Versatile Data-rates: 4kbps to 16kbps
- Selectable BT = 0.3 or 0.5
- IF, RF, Control and Synthesiser Stages
- Full Mobitex Compatibility
- Packet and Freeformat (Raw) Data
- Simple Parallel Interfacing
- Low-power, Low Profile, Low-cost BOM
- Flexible System Clocks
- Supply Requirement Range: 3.0 to 3.6 V/2.25 to 2.75 V

Applications

- Narrowband Data Over Radio
- Mobitex Data Terminals
- 400MHz to 1GHz Radio Data Systems
- Radio Modems:
 - Wireless Telemetry
 - SCADA Terminals
- Suitable for EN 300 113 and FCC CFR 47 Part 90 Applications

A single-chip GMSK packet-data modem and RF transceiver, the CMX990 provides the majority of circuits and functions, including host μ C interfaces, to implement a full-feature 'wireless modem' sub-system.

The CMX990 can operate in RF ranges of 400MHz to 1GHz at data rates of 4 to 16 kbps and is fully Mobitex compatible.

With a minimum of external components and circuits, this half-duplex device provides on-chip: a flexible, formattable GMSK packet and freeformat modem, a dual operation synthesiser fed from an external source, IF and RF stages for both Rx and Tx modes, and auxiliary ADCs and DACs for system control and monitoring.

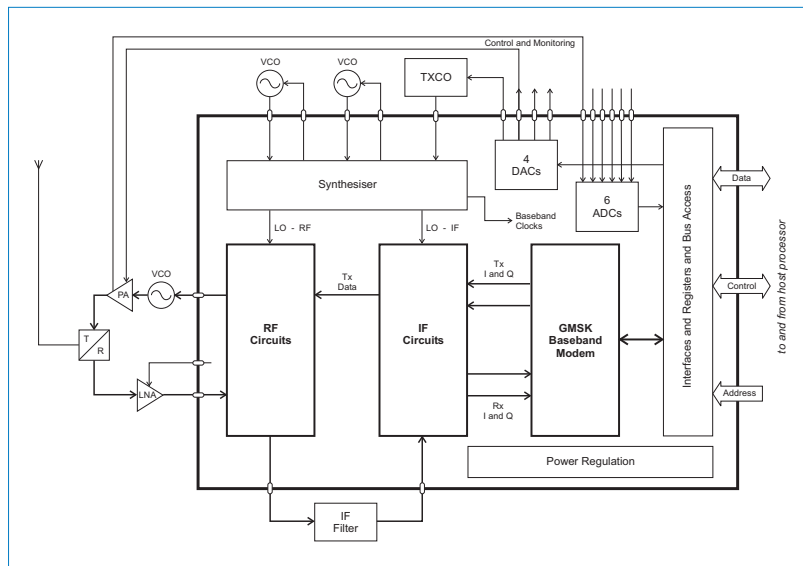
This versatile GMSK modem is programmable to both packet and freeformat data operations via an efficient task-oriented Rx and Tx format and command structure, which is combined with data scrambling, interleaving and FEC and CRC capabilities. Rx data acquisition, extraction and tracking abilities, allied with Rx data quality feedback, allow the CMX990 to operate seamlessly in varying signal environments.

IF and RF functions in the Tx path handle all the required signal mixing and up-conversion to produce the FM modulation for the final external PA circuitry.

In the Rx path these circuits provide initial selectivity and rejection characteristics and mix down the inputs to provide baseband signals for the modem.

Comprehensive internal and external system control and monitoring is provided by the 8-bit host interface registers and the on-chip ADCs and DACs. Requiring a power supply input in the range 3.0 to 3.6 volts, the CMX990 can be used in wireless products designed to comply with such standards as EN 300 113 and FCC CFR 47 Part 90.

Operating over a temperature range of -40°C to $+85^{\circ}\text{C}$, the CMX990 consolidates the core radio modem functions to enable a new generation of small, narrowband wireless data modems.



Packages

CMX990Q1 64-pin VQFN
Operating Temperature -40 to $+85^{\circ}\text{C}$

Brief CMX990 Technical Basics

	min	typ	max	
■ Typical Supply Current at 3.0 to 3.6 V				
Tx	-	137	-	mA
Rx	-	148	-	mA
Powersave	-	50.0	200	μ A
■ Modulation Type		GMSK		
■ 1st Rx Mixer Input Frequency Range	200	-	950	MHz
■ Rx IF Stage Input Frequency Range	44.0	-	-	MHz
■ Tx Offset Mixer Input Frequency Range	200	-	950	MHz
■ Tx Limiter/Modulator/Phase Detector Input Frequency Range	40.0	-	90.0	MHz
■ Auxiliary ADC and DAC Resolution		10		Bits

CMX991 RF Quadrature Transceiver

Low Power Transceiver Sub-system

Features

- Rx:
 - RF Mixer with Output Select
 - 1st IF Input Select
 - Selectable Low IF Outputs
 - 1st IF Variable Gain Amplifier (VGA)
 - 1st IF Signal Level Indicator (SLI)
 - Two-mode Demodulator
 - I/Q Zero-IF with Differential Outputs
- Tx:
 - I/Q Modulator to IF
 - Image-reject Up-converter
 - IF and RF Outputs
- IF:
 - IF LO Synthesiser
 - IF VCO Negative Resistance Amplifier
- C-BUS Serial Control/Data Interface
- **Supply Requirement Range:**
3.0 to 3.6 V

The CMX991 is a single-chip, high performance, RF transceiver that provides the majority of functions to implement a transceiver sub-system. It operates from 100MHz to 1GHz and its I/Q architecture supports multiple modulation types and bandwidths with a single radio design.

The Tx path includes an I/Q modulator to accurately generate modulation at the IF frequency, which may then be translated to the final RF frequency by an integrated image-reject up-converter system. The I/Q modulator IF output is also made available for conversion to RF external circuits, if required.

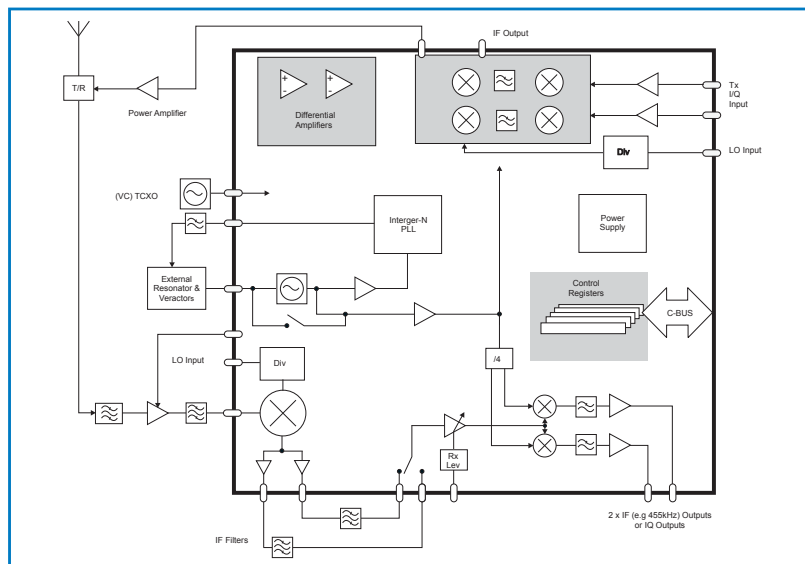
The Rx path includes an integrated 1st RF mixer having two outputs to support two external 1st IF filter choices, then an integrated 2:1 filtered 1st IF input mux followed by VGA and wideband RSSI functions to support AGC implementation. The 1st IF signal is then either I/Q demodulated to zero IF or mixed to a low IF output.

The CMX991 provides differential and single-ended Rx output options and differential amplifiers for flexible signal conditioning.

The CMX991 includes the core RF and IF functions of a high performance transceiver and can be used in a wide range of narrowband and wideband wireless products including multi-mode analogue/digital terminals.

Applications

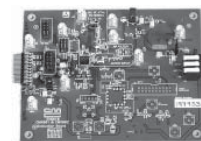
- Analogue/Digital Multi-mode Radio
- Software Defined Radio (SDR)
- TETRA, APCO P25: Phase 1 and 2, TDMA
- Automatic Identification Systems (AIS)



Packages	
CMX991Q3	48-pin VQFN
Operating Temperature -40 to +85 °C	

Support

- EV9910B EvKit
- PE0002 EvKit Interface Card



Brief CMX991 Technical Basics

	min	typ	max	
■ Typical Supply Current at 3.0 to 3.6 V				
Tx (RF Out)	-	85.0	-	mA
Rx	-	59.0	-	mA
Powersave	-	10.0	-	µA
■ Rx 1st Mixer Input Frequency Range	100	-	1000	MHz
■ Rx 1st Mixer LO Frequency Range	50.0	-	1150	MHz
■ IF Amplifier and I/Q Demodulator Input Frequency Range	10.0	-	150	MHz
■ I/Q Modulator Bandwidth	-	-	1.0	MHz

CMX992 RF Quadrature/IF Receiver

High Performance 100MHz to 1GHz RF Reception

Features

- Rx:
 - RF Mixer with Output Select
 - 1st IF Input Select
 - Selectable Low IF Outputs
 - 1st IF Variable Gain Amplifier (VGA)
 - 1st IF Signal Level Indicator (SLI)
 - Two-mode Demodulator
 - I/Q Zero-IF with Differential Outputs
- IF:
 - IF LO Synthesiser
 - IF VCO Negative Resistance Amplifier
- C-BUS Serial Control/Data Interface
- **Supply Requirement Range:**
3.0 to 3.6 V

Applications

- Analogue/Digital Multi-mode Radio
- Software Defined Radio (SDR)
- TETRA, APCO P25: Phase 1 and 2, TDMA
- Automatic Identification Systems (AIS)

The CMX992 is a single-chip, high performance, RF receiver IC. It operates in the range 100MHz to 1GHz and its I/Q architecture supports multiple modulation types and bandwidths for a single radio design.

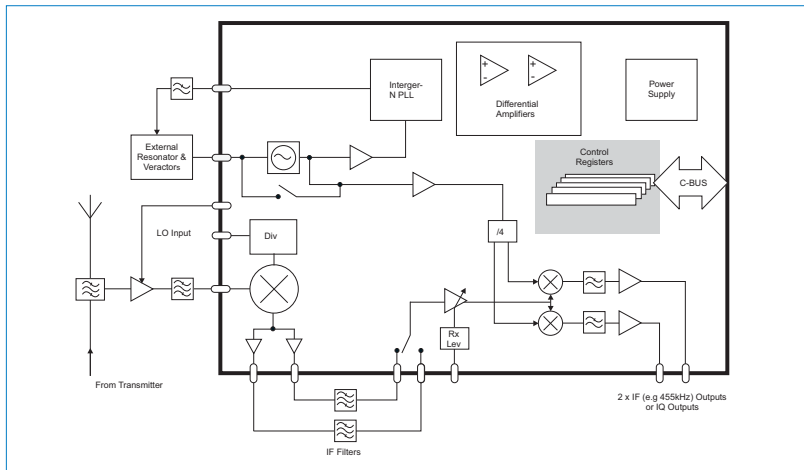
The CMX992 integrates 1st mixer, Rx demodulators, IF PLL, and IF VCO sub-systems that minimise the external circuits needed to implement a complete receiver. User-selected modes suit different application requirements.

The Rx path includes an integrated 1st Rx mixer having two outputs to support two external 1st IF filter choices, then an integrated 2:1 input mux followed by VGA and wideband signal level measurement (SLI) functions to support AGC implementation. The 1st IF signal is then either I/Q demodulated to zero IF or mixed-down to a low IF output.

The CMX992 provides differential and single-ended Rx output options and differential amplifiers for flexible signal conditioning.

The CMX992 includes the core RF and IF functions of a high performance receiver and can be used in a wide range of narrowband and wideband wireless products including multi-mode analogue/digital terminals.

The CMX992 can be used where highly linear modulations are being used, e.g. for applications such as TETRA, where a typical transmitter solution would include the CMX998 Cartesian Feedback Transmitter.



Packages

CMX992Q3 48-pin VQFN
Operating Temperature -40 to +85 °C

Support

- EV9920B EvKit
- PE0002 EvKit Interface Card



Brief CMX992 Technical Basics

	min	typ	max
■ Typical Supply Current at 3.0 to 3.6 V Rx	-	59.0	- mA
■ Rx 1st Mixer Gain	-	16.0	- dBV/V
■ IF Amplifier and I/Q Demodulator Gain	-	45.0	- dBV/V
■ I/Q Filters' Gain	-	6.0	- dBV/V
■ Differential Amplifier Gain/Bandwidth Product	11.0	14.0	- MHz

CMX993 RF Quadrature Modulator CMX993W *High Performance 30MHz to 1GHz RF Operation*

Features

- 30MHz to 1GHz Operating Frequency
- Wideband Noise -148dBc/Hz
- Noise Floor -155dBm/Hz
- Programmable 30dB Output Gain Range
- +3dBm (PEP) Tx Output Power
- Low LO Drive Requirements: -15dBm
- Uncommitted Amplifiers for Filtering and Interfacing
- **CMX993W**: Wide-bandwidth Version
- C-BUS (SPI Compatible) Serial Interface
- **Supply Requirement Range: 3.0 to 3.6 V**

Applications

- RF Channel Bandwidths up to 100MHz
- APCO P25 Wireless Data
- ISM Transmitters
- Digital TV/CATV Modulators
- Wireless LAN, Wireless Local Loop
- IF or RF Modulators
- FSK, GMSK, 4FSK, C4FM
- QPSK, QAM, SSB, OFDM/COFDM Multi-carrier Systems
- Software Defined Radio (SDR)
- Satellite Comms
- Cellular Pico/Nano-cell Systems

Two separate, high performance, RF quadrature modulator ICs are available: the standard CMX993 and the wide bandwidth CMX993W product variant.

The CMX993 and CMX993W are integrated, low voltage I/Q modulators suitable for use in applications operating from 30MHz to 1GHz.

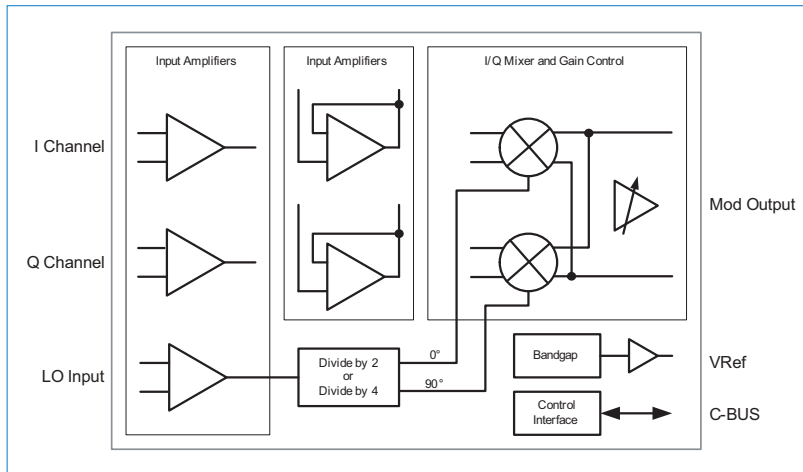
The device integrates two matched double-balanced mixers driven from a buffered and quadrature split local oscillator.

The LO frequency is divided by either a factor of 2 or 4. The mixers form an I/Q vector modulator with programmable gain stages offering up to 30dB of gain control in 2.5dB steps. Uncommitted low frequency differential amplifiers are provided for users to configure. These may be used to implement functions such as filtering, differential to single-ended signal conversion and level shifting.

A digital control interface, C-BUS, (an SPI™ compatible interface) allows gain control as well as power management of individual internal blocks to optimise system performance.

The C-BUS interface operates from its own supply domain enabling the device to be interfaced to different voltage baseband devices.

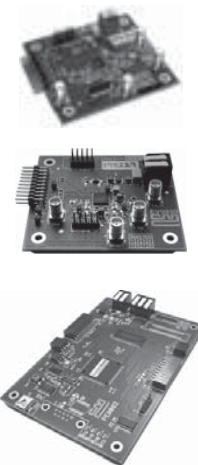
The CMX993 and CMX993W devices are supplied in RF optimised VQFN packages.



Packages	
CMX993Q3	48-pin VQFN
CMX993WQ3	48-pin VQFN
Operating Temperature -40 to +85 °C	

Support

- EV9930 EvKit
- EV9930W EvKit
- PE0002 EvKit Interface Card



Brief CMX993/CMX993W Technical Basics

	min	typ	max	
■ Typical Supply Current at 3.3V Powersave	-	95.0	-	mA
■ Output Frequency Range	30.0	to	1000	MHz
■ LO Frequency Range		60.0 to 2000		MHz
■ Gain/Bandwidth Product				
Input Amplifiers	-	10.0	-	MHz
Filter Amplifiers (CMX993)	-	10.0	-	MHz
Filter Amplifiers (CMX993W)	-	65.0	-	MHz
■ Quadrature Modulator				
Minimum Input Bandwidth	-	50.	-	MHz
Transmit Output Power	-	3.0	-	dBm
Intermodulation	30.0	35.0	-	dB

CMX994 Direct Conversion Receiver

Direct Conversion to Zero-IF or Low-IF

Features

- Direct Conversion Receiver
 - Direct Conversion Eliminates Image Responses
 - Direct Conversion to Zero-IF or Low-IF
 - LNA with Gain Control
 - 100MHz to 1GHz I/Q Demodulator
 - Precise Filtering with Bandwidth Setting and 1:2:4 Bandwidth Modes
- Local Oscillator
 - LO Synthesiser
 - VCO Negative Resistance Amplifier
- Compatible with CMX998 Cartesian Feedback Loop Tx
- **Supply Requirement Range:**
3.0 to 3.6 V

Applications

- Analogue/Digital Multimode Radio
- Software Defined Radio (SDR)
- Data Telemetry Modems
- Satellite Communications
- Constant Envelope and Linear Rx Modulation
- Rx Function Compatible with CMX998 PA Linearisation I/Q Modulator
- Narrowband Data: eg. 25kHz, 12.5kHz, 6.25kHz
- Wideband Data: Up to 1MHz

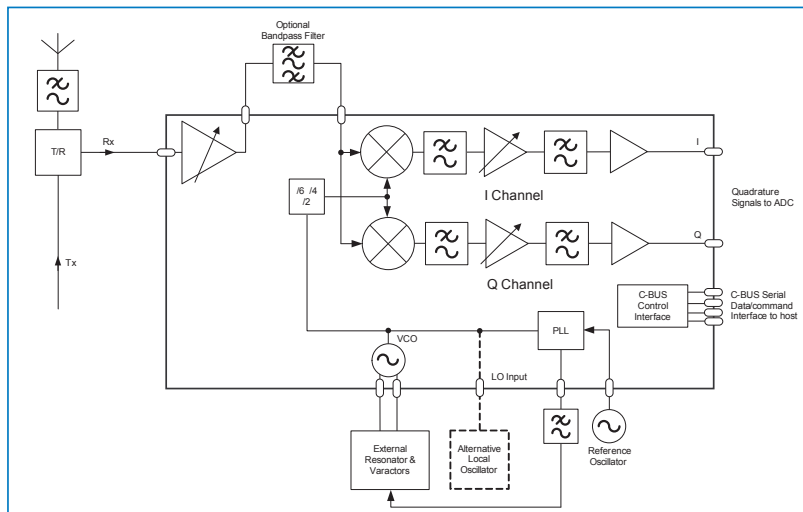
The CMX994 is a direct conversion receiver IC. The receiver is fully integrated with a broadband Low Noise Amplifier (LNA) preceding the down-converter section, a high dynamic-range I/Q demodulator.

The receiver baseband section includes amplifiers and precise baseband filter stages. High-linearity down-converting mixers are immediately followed by a baseband filter stage.

The first stage of filtering is designed to remove off-channel blocking signals prior to baseband amplification. Following the filters, gain is applied via an on-chip variable gain amplifier.

LO generation is provided by an integer-N PLL and VCO negative-resistance amplifier suitable for VHF operation; an external LO may be used for other bands. LO dividers are provided for flexible multi-band operation.

The receiver I/Q chain includes the facility to correct for inherent dc offsets in the hardware. This process is intended to optimise the dynamic range of the system and must be controlled by the microprocessor or DSP that processes the I/Q signals from the IC.



Packages

CMX994Q4 40-pin VQFN
Operating Temperature -40 to +85 °C



CMX994

Please contact CML or visit the CML Microcircuits website (www.cmlmicro.com) for further information.

CMX998 Cartesian Feedback Loop Transmitter Array

Improved Efficiency and Linearity for Transmitters in Non-Constant Envelope Modulation Systems

Features

- Frequency Range: 30MHz to 1GHz
- Wide Band Noise: -145dBc/Hz
- C-BUS (SPI Compatible) Serial Interface
- Gain Control
- Error Amplifier
- Up-converter Forward Path
- Down-converter for Feedback Linearisation
- 360° Loop Phase Shift Control
- DC Offset Measurement Output
- Open Loop Function
- Instability Detector
- Supply Requirement Range: 3.0 to 3.6 V

Applications

- TETRA Terminals
- TETRA 2 Terminals
- APCO P25 Phase 2
- Aviation Systems
- Mobile Satellite Terminals
- Linear Modulation Schemes:
 - QPSK, pi/4-DQPSK, 8PSK, QAM, OFDM, F4FM
- Direct Interface to CMX981 and CMX980A

A Cartesian Loop improves the efficiency and linearity of transmitters for non-constant envelope modulation systems.

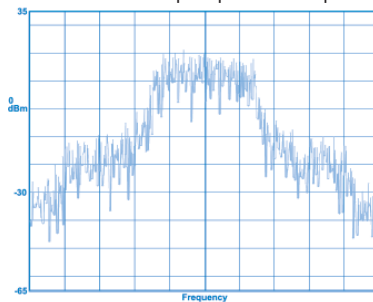
The CMX998 is an integrated solution for a Cartesian Feedback Loop (CFBL) based linear transmitter. Acting as a direct conversion quadrature mixer from I and Q to RF output, it provides the capability to linearise the power amplifier (PA) via feedback from the PA's output.

Included on-chip are forward and feedback paths; local oscillator circuitry including loop phase control; an instability detector and uncommitted op-amps for input signal conditioning.

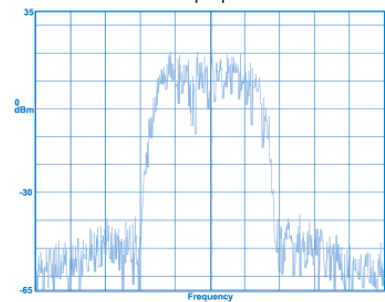
The device operates from a single 3.3V supply over a temperature range of -40°C to +85°C and is available in a 64-pin VQFN (Q1) package.

CMX998 Performance

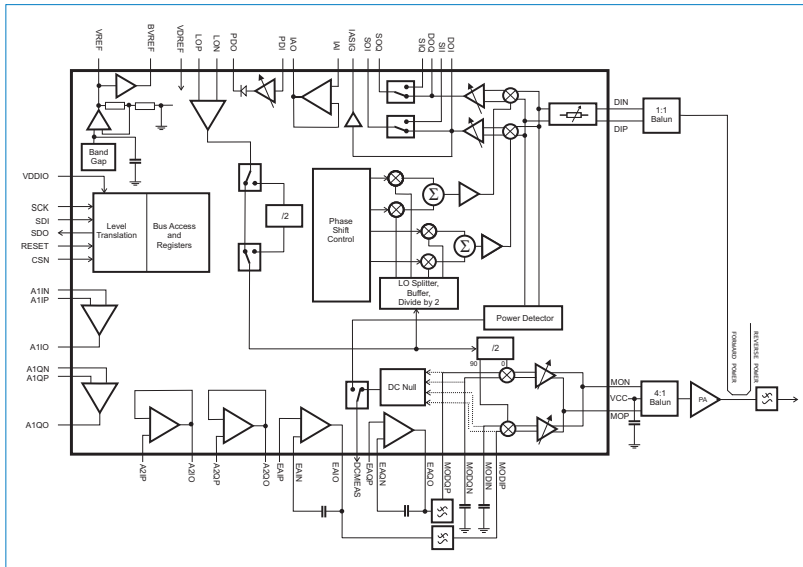
Tx output spectrum in open loop and CMX998 closed loop operation



Open loop (no linearisation) gives poor performance



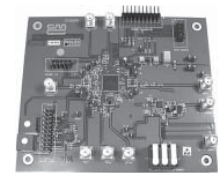
Closed loop (CMX998 linearisation) gives much improved performance



Packages	
CMX998Q1	64-pin VQFN
Operating Temperature -40 to +85 °C	

Support

- EV9980 EvKit
- PE0002 EvKit Interface Card



Brief CMX998 Technical Basics

	min	typ	max	
■ Operating Current at 3.0 to 3.6 V Powersave	-	135	165	mA
■ Operating Frequency Range		30 to 1000		MHz
■ Local Oscillator Frequency Range		60 to 2000		MHz
■ Forward Power				
■ Max. (PEP) Output Power	-	3.0	-	dBm
■ Feedback Path Max. (PEP) Input Power	-22.0	-	7.0	dBm

Analogue Two-way Radio and Digital PMR/LMR

Wireless Data

Marine Safety and Comms

Digital Voice

Custom

Embedded

Wireline Data and Telephony

Analogue Two-way Radio Products

NOTES

Analogue Two-way Radio Products

RF

Analogue Two-way Radio

Analogue Two-way Radio by Function

	Audio Scrambler	Tone Detector	Tone Generator	DTMF	SeIcall	XTCSS	CTCSS/DCS	Baseband Processing	4FSK	FFSK/MSK	C4FM	Data Packeting	RF Synthesiser	Synthesised Aux Clock	Aux ADC	Aux DAC	Digitally Controlled Amp	EvKIt/s	Page No.
FX/MX128 Audio Band Scrambler	•																		28
CMX138A Audio Scrambler and Sub-audio Signalling Processor	•						•	•							•	•			29
CMX148 PMR Audio and Data Processor	•	•	•	•			F	•	•			•	•	•	•	•	•		30
FX214/FX224 Variable Split-band Audio Scrambler	•																		31
CMX264 Frequency Domain Split-band Scrambler	•																		32
FX/MX465 Extended-code CTCSS Encoder/Decoder							•												33
CMX7031 and CMX7041 Two-way Radio Processor - <i>CMX7031 with RF Support</i>																			
7031/7041FI-1.x Two-way Radio Processor	•	•	•	•	•	•	•	•	•			•	•	•	•	•	•	•	34
7031/7041FI-2.x 4FSK Modem									•			•	•	•	•	•	•	•	
7031/7041FI-3.x C4FM Modem											•	•	•	•	•	•	•	•	
CMX823 Programmable Paging-tone Decoder		•			•														35
CMX838 FRS, PMRS446 and GMRS 'Family Radio' Processor					•		•	•					•						36
CMX881 Baseband Processor for PMR and Trunked Radios	•	•	•	•	•		•	•	•						•		•	•	37
CMX882 Baseband Processor with GPS Data Transport for FRS, MURS and GMRS 'Leisure' Radios	•	•	•	•	•		•	•	•						•		•	•	
CMX883 Baseband Processor with GPS Data Transport for FRS, MURS and GMRS 'Leisure' Radios	•	•			•	•	•	•							•		•	•	

- available function
- F filter function only

ICs supporting all aspects of voice, data and signalling in analogue PMR, trunked and leisure radio and paging applications. Most functions are available singularly or in comprehensive baseband-processing combinations.

Wireless Data

Marine Safety and Comms

Digital Voice

Custom

Embedded

Wireline Data and Telephony

Analogue Two-way Radio Products

FX128 Audio Band Scrambler MX128 *High Quality Voiceband Scrambling*

Features

- Full Duplex Frequency Inversion Scrambling
- Separate Rx and Tx Paths
- On-Chip Bandpass and Lowpass Audio Filters
- High Quality Audio Output
- Carrier Rejection >55dB
- Selectable Xtal/Clock Frequency:
 - 10.24MHz or 3.58/3.6864 MHz
- **Supply Requirement Range: 3.0 to 5.5 V**

The FX/MX128 is a full-duplex frequency-inversion scrambler IC designed to provide secure conversations over audio systems, including cordless telephones.

The separate Rx and Tx audio paths each consist of the following:

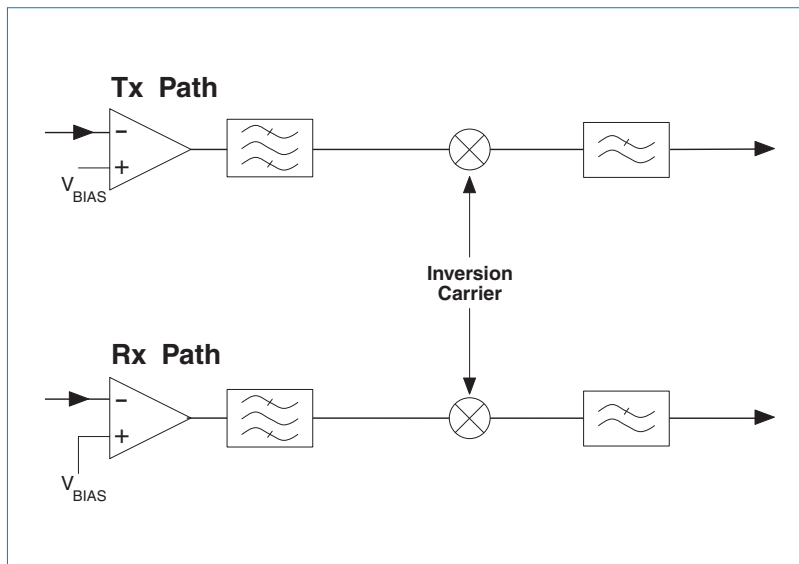
- A switched-capacitor balanced modulator with high baseband and carrier rejection
- A 3.3kHz inversion carrier (injection tone)
- A 3.1kHz lowpass filter
- Input op-amps with externally adjustable gain

The FX/MX128 uses mixed signal CMOS switched-capacitor filter technology and operates from a single supply in the range of 3.0 to 5.5 volts.

The inversion carrier's frequency and filter switching clock are generated on-chip using an external 10.24MHz or 3.58/3.6864 MHz crystal or clock input (selectable).

Applications

- Cordless Telephones
- Leisure Radio:
 - FRS, GMRS, MURS and PMR446
- Two-Way Radio
- Wireless PABX
- Base and Portable Comms Systems



Packages

FX128E4	16-pin TSSOP
MX128E4	16-pin TSSOP
FX128D4	16-pin SOIC
Operating Temperature -40 to +85 °C	

Brief FX/MX128 Technical Basics

	min	typ	max	
■ Typical Supply Current at 3.3V	-	2.0	3.0	mA
■ Analogue Signal Input Levels	-16.0	-	3.0	dB
■ Clear Mode Response				
Passband (-3dB) Cut-Off - Low Frequency	-	-	300	Hz
Passband (-3dB) Cut-Off - High Frequency	3000	-	-	Hz
■ Invert Mode Combined Rx and Tx Response				
Passband (-3dB) Cut-Off Frequencies				
Low	-	-	400	Hz
High	2800	-	-	Hz

Analogue Two-way Radio Products

RF

CMX138A Audio Scrambler and Sub-audio Signalling Processor

High Quality Voiceband Scrambling

- Built on FirmASIC® Technology -

Features

- Programmable Audio Scrambler
- Concurrent Audio and Signalling Operations
- Full Audio-band Processing:
 - Pre and De-emphasis
 - Companding
 - Scrambling
 - Selectable 2.55/3.0 kHz Filters
- Selectable Audio Processing Order
- Sub-audio Signalling:
 - CTCSS
 - DCS
- Programmable In-band Tone Encoder and Decoder
- Auxiliary ADC and DAC Services
- C-BUS Serial Control/Data Interface to Host μ C
- Two Analogue Inputs (Mic. or Disc.)
- Tx Output for Single-point Modulation
- Auxiliary System Clock Output
- **Supply Requirement Range:**
3.0 to 3.6 V

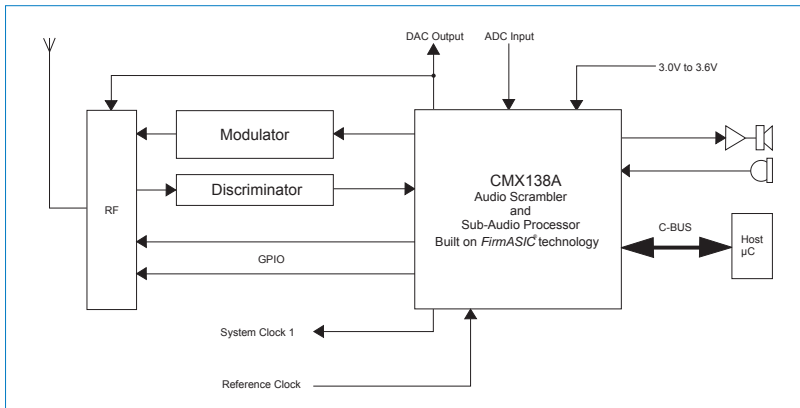
The CMX138A is a half-duplex, audio scrambler and sub-audio signalling processor IC for analogue two-way radio applications. This makes it a suitable device for the leisure radio markets (FRS, MURS, PMR446 and GMRS).

This device provides a user programmable frequency-inversion audio scrambler, companding and pre/de-emphasis – performing simultaneous processing of sub-audio and in-band signalling.

Other features include an auxiliary ADC channel and an auxiliary DAC interface (with optional RAMDAC to facilitate transmitter power ramping).

Applications

- Analogue Radio Systems:
FRS, MURS, PMR446 and GMRS



Packages	
CMX138AE1	28-pin TSSOP
Operating Temperature -40 to +85 °C	

Brief CMX138A Technical Basics

	min	typ	max	
■ Typical Supply Current (A and D) at 3.0 to 3.6 V				
Idle	-	1.0	-	mA
Rx	-	7.0	-	mA
Tx	-	8.5	-	mA
Powersaved	-	35.0	120	μ A
■ Mic. and Disc. Programmable Input Gain (at 0dB)	-0.5	-	0.5	dB
■ Modulator Attenuator (at 0dB)	-1.0	0	1.0	dB
■ Audio Attenuator (at 0dB)	-1.0	0	1.0	dB
■ Auxiliary ADC and DAC Resolution		10		Bits
■ CTCSS (Tx/Rx) Frequency Range		60 to 260		Hz
■ In-band Tone (Tx/Rx) Frequency Range		288 to 3000		Hz
■ DCS Encoder Bit Rate	-	134.4	-	bps
■ Audio Scrambler				
Inversion Frequency	2632	3300	3496	Hz
Passband (3300Hz inversion frequency)		300 to 3000		Hz

Analogue Two-way Radio

Wireless Data

Marine Safety and Comms

Digital Voice

Custom

Embedded

Wireline Data and Telephony

Analogue Two-way Radio Products

CMX148 PMR Audio and Data Processor

Audio Processing, DTMF and FFSK/MSK Data with Host-generated Signalling

Features

- Concurrent Audio, Signalling and Data Operations
- Complete Audio Processing:
 - Selectable Audio Processing Order
 - Pre/De-emphasis, Compandor and Limiter
 - Selectable 2.55/3.0 kHz Filtering
 - Selectable Audio-Highpass Filter Cut-off
- Programmable Voice Scrambler
- MSK/FFSK Data Modem with Packet or FreeFormat Modes Supported by FEC, CRC, Interleaving and Scrambling Modes
- DTMF and Audio Tone Encoder/Decoder
- Routing Supports Host μ C Signalling
- Auxiliary ADCs and DACs
- Programmable System Clock Outputs
- Microphone and Discriminator Analogue Inputs
- Digital Gain Adjustment
- **Supply Requirement Range: 3.0 to 3.6 V**

Applications

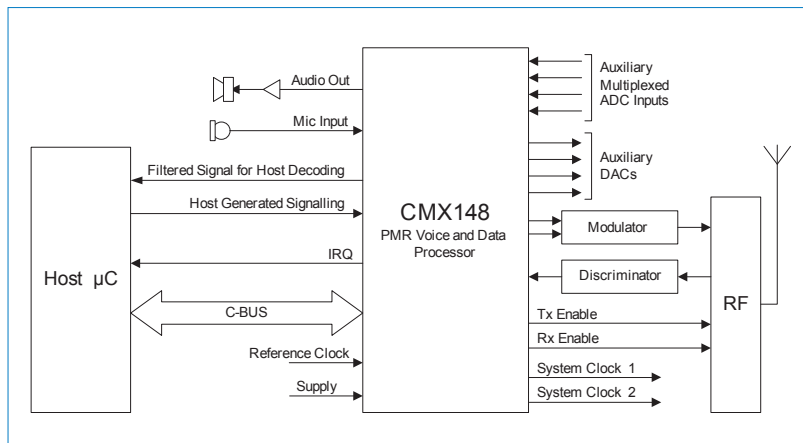
- Leisure Radio:
 - FRS, GMRS, MURS and PMR446
- Professional PMR Systems

The CMX148 is a half-duplex audio, signalling and data processing IC for use in PMR systems that utilise the host μ C to perform the signalling, including CTCSS/DCS encoding/decoding. The device is intended for use in both general leisure and professional PMR terminals.

Comprehensive audio processing facilities include complete audio processing, filtering, companding, pre or de-emphasis and frequency inversion scrambling.

The CMX148 features an FFSK/MSK data modem for packetised or free-format data operations. Signal routing and filtering is included to assist host μ C based signal encoding/decoding applications.

A DTMF encoder/decoder, a full complement of auxiliary ADCs and DACs and dual synthesised clock outputs are included in this low power PMR processor.

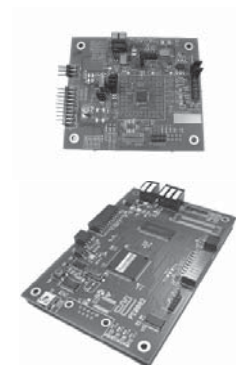


Packages

CMX148L4	48-pin LQFP
CMX148Q3	48-pin VQFN
Operating Temperature -40 to +85 °C	

Support

- EV1480 EvKit
- PE0002 EvKit Interface Card



Brief FX/MX148 Technical Basics

	min	typ	max	
■ Typical Supply Current at 3.0 to 3.6 V				
Rx (A + D)	-	10	-	mA
Tx (A + D)	-	13	-	mA
Powersaved (A + D)	-	12	120	μ A
■ Analogue (Max) Signal Input Levels	-	-	80%	V_{DD}
■ Modulator Output Stage Attenuation Range	-	>40 to 0	-	dB
■ Audio Stage Output Stage Attenuation Range	-	>60	-	dB
■ DTMF Decoder Sensitivity	-	-22	3	dB
■ FFSK/MSK Decoder Input Dynamic Range		100 to 800		mVrms
■ Auxiliary DAC and ADC Resolution		10		Bits

Analogue Two-way Radio Products

FX214 Variable Split-band Audio Scrambler FX224 VSB Scrambling with High Recovered Audio Quality

Features

- Variable Split-band (VSB) Frequency Inversion Voice Scrambler
- Thirty-two Programmable Split-point Frequencies
- CTCSS High-pass Filter
- High Recovered Audio Quality
- Half-duplex Switching
- Serial and Parallel Load Options:
 - FX214: Serial
 - FX224: Parallel
- Supply Requirement Range: 4.5 to 5.5 V

Applications

- Mobile and Cellular Radio
- Fixed and Rolling Code Speech Scramblers

The FX214 and FX224 are low-power CMOS LSI devices designed as Variable Split-band (VSB) Voice Scramblers.

Each device uses separate Rx and Tx paths which are switched for half-duplex operation. To prevent interference from sub-audio products, an on-chip Continuous Tone Controlled Squelch System (CTCSS) highpass filter is automatically switched to the input in Rx and to the output in Tx.

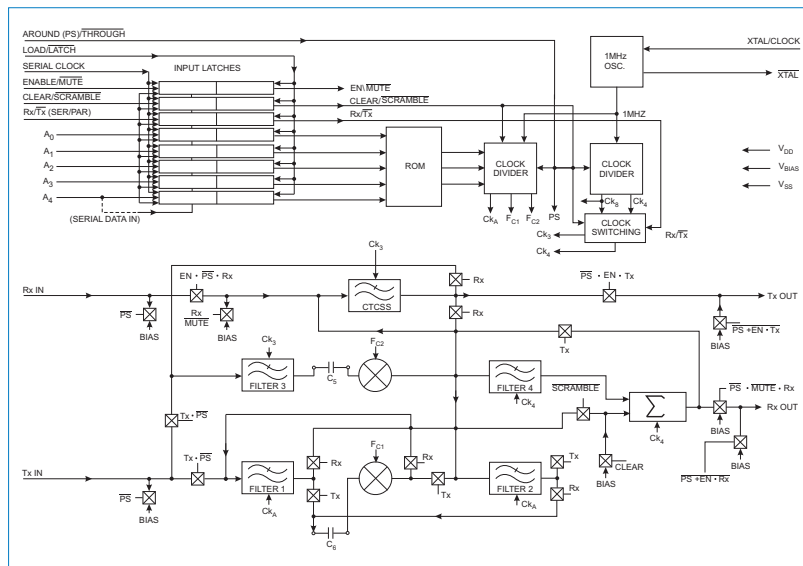
Scrambling is achieved by splitting the input voice frequencies into upper and lower frequency bands using switched capacitor filters, modulating each band with selected carrier frequencies to 'frequency invert' the bands and then summing the output.

A total of 32 different split-point and carrier frequency combinations are externally programmable using a 5-bit code; this code can be either fixed or varying (rolling) for greater security.

'Sync/Speech Mute', 'Powersave', 'Clear' and 'Audio-Bypass' facilities are controlled via external commands. Timing and filter clocks are derived internally from an on-chip oscillator requiring only a single external 1MHz Xtal or clock pulse input. This device demonstrates high baseband and carrier frequency rejection with good 'recovered audio' quality.

These ICs are available in serial or parallel command-loading functions:

- FX214: Serial
- FX224: Parallel.



Packages		
FX214LG	(L1)	24-pin PLCC
FX214L2	(L1)	24-pin PLCC
FX224LG	(L1)	24-pin PLCC
FX224LS	(L2)	24-pin PLCC
Operating Temperature -40 to +85 °C		

Brief FX214 AND FX224 Technical Basics

	min	typ	max	
■ Typical Supply Current at 5.0V Powersaved	-	8.0	-	mA
■ Passband Characteristics	-	1.2	-	mA
■ Clear Mode Gain	-	0	-	dB
■ Frequency Range	-	300 to 3400	-	Hz
■ Scramble/Descramble Rx Gain	-	0	-	dB
■ Rx Frequency Range (-3dB)	-	400 to 2700	-	Hz
■ Tx Frequency Range (-3dB)	-	300 to 3400	-	Hz
■ CTCSS -3dB Point	-	300	-	Hz

Analogue Two-way Radio Products

CMX264 Frequency Domain Split-band Scrambler

Versatile Split-band Inversion Scrambling

Features

- Full Duplex Operation
- High Quality Recovered Audio
- Uses Split-band Inversion
- Fixed or Rolling Code Capabilities
- Simple Serial Interface
- Audio Scrambling Demonstration Available from CML Website
- Low Power Requirement with Standby Mode
- Supply Requirement Range: 2.7 to 3.3 V

The CMX264 is a frequency domain scrambler. It contains separate Tx and Rx paths for full duplex operation and operates under μ Processor control via a simple serial interface.

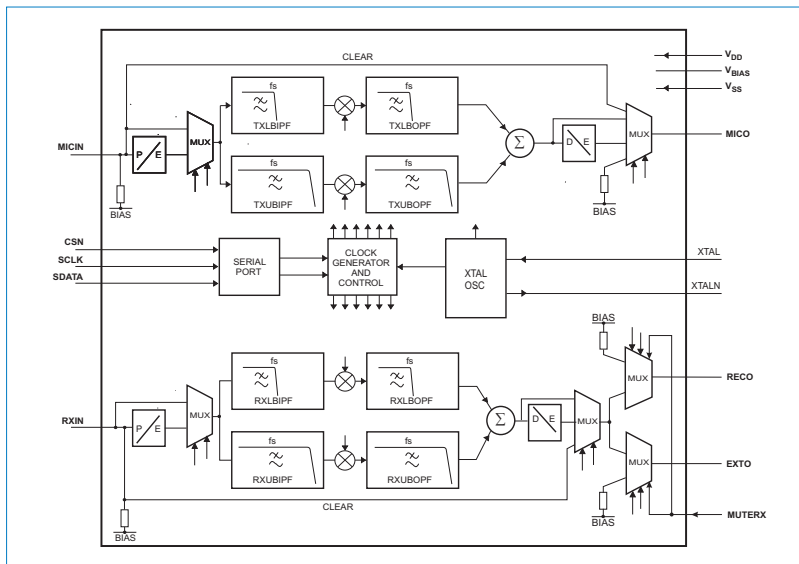
In the Tx path, scrambling is achieved by splitting the audio band into two parts (sub-bands) and separately frequency-inverting each one. The frequency at which the signal is split, the 'split-point', can be either fixed or rolling between four possible settings, resulting in a transmitted audio signal which is unintelligible to eavesdroppers.

Descrambling is achieved by a receive device set to the same split-point as the remote transmitter. Thus, if the Tx and Rx devices are synchronously cycled through the same sequence of split-points, a clear recovered signal will emerge at the output of the receiver.

A 4.433619MHz crystal is used allowing up to four split-points to be programmed.

Applications

- Mobile Radio
- Fixed and Rolling Code Speech Scramblers



Packages

CMX264D5 24-pin SSOP
Operating Temperature -40 to +85 °C

Brief CMX264 Technical Basics

	min	typ	max	
■ Typical Supply Current at 3.0V Powersave	-	3.0	-	mA
■ Audio Input Spectrum	-	-	300	μA
■ Lower 3dB Point	-	230	-	Hz
■ Upper 3dB Point	-	2700	-	Hz
■ Input Signal Level	-	250	1000	mVrms
■ Scrambled Audio Out Spectrum	-	-	-	-
■ Lower 3dB Point	-	230	-	Hz
■ Upper 3dB Point	-	2700	-	Hz
■ Selectable Split-points	1966/1482/1276/1027			Hz

Analogue Two-way Radio Products

RF

Analogue Two-way Radio

FX465 Extended-code CTCSS Encoder/Decoder MX465 47 Tone Programmable CTCSS

Features

- Forty-seven Programmable Sub-audio Tones + NOTONE Setting
- Meets TIA/EIA 603 Specification
- High Voiceband/CTCSS Isolation
- Separate Sub-Audio and Rx/Tx Audio Paths and Filtering
- Serial or Parallel Control
- Supply Requirement Range: 3.3 to 5.0 V

Applications

- Mobile Radio Systems
- Community Base Stations
- 'Low Power Radio' (Japan)
- Sub-audio Signalling and Selective Calling
- Status and Alarm Systems
- Amateur Radio

The FX/MX465 is a low power, half-duplex predictive Continuous Tone Controlled Squelch System (CTCSS) encoder/decoder microcircuit. The FX/MX465 has integral voice-band filtering for prefiltering of Tx audio and for the rejection of the CTCSS tone in receive mode.

Under μ Processor control, the FX/MX465 will encode and decode any one of 47 sub-audio frequencies (+NOTONE) in the range 67.0Hz to 254.1Hz. Tone frequencies and all functional commands can be loaded to the device in either pin-selectable 8-bit parallel or serial format.

A separate, Rx/Tx voice-audio path is available with a highpass (sub-audio reject) filter automatically placed in the relevant Rx or Tx voice line.

The Rx sub-audio (CTCSS) path contains a (selected tone frequency) bandpass filter and period detector providing a logic level output (Rx Tone Detect) to indicate a successful decode operation.

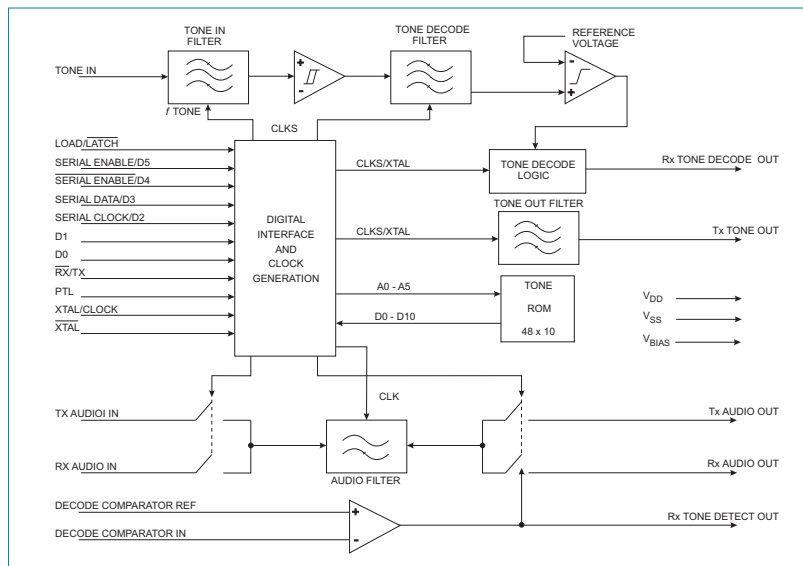
Rx "Press to Listen" (PTL) and Tx "Squelch-Tail Elimination" functions are available in both command loading modes. The squelch-tail elimination function will provide (Tx tone) phase-reversal to minimise the annoying audio outputs that can occur at the receiver on completion of a transmission.

Tone frequencies and filter accuracies are maintained by an on-chip 4.0MHz clock oscillator employing an external crystal or clock pulse input.

The FX/MX465 exhibits high audio and sub-audio performance with low falsing.

Wireless Data

Marine Safety and Comms



Packages		
FX465D5		24-pin SSOP
MX465DS	(D5)	24-pin SSOP
MX465DW	(D2)	24-pin SOIC
MX465P	(P4)	24-pin PDIP
MX465TN	(E2)	24-pin TSSOP
Operating Temperature		-40 to +85 °C

Digital Voice

Custom

Embedded

Brief FX/MX465 Technical Basics

	min	typ	max	
Typical Supply Current at 3.3 to 5.0 V	-	1.3	1.6	mA
Decode Input Signal Level Range	-20	-	3.5	dB
Pure Tone Decode Response Time	95	115	140	ms
Pure Tone Decode De-response Time	95	130	170	ms
Decode Response Time	-	-	250	ms
Decode De-response Time	-	180	250	ms
Encoder Output Level	-1.0	0	2.0	dB
Tx Tone Frequency Error	-0.3	-	0.3	%fo
Audio Filter Lower Cut-Off Frequency	-	300	-	Hz
Stopband Attenuation <250Hz	33	36.0	-	dB
Audio Filter Passband Gain at 1kHz	-0.5	0	0.5	dB

Wireline Data and Telephony

Analogue Two-way Radio Products

CMX7031 Two-way Radio Processor - with RF Support CMX7041 *Audio, Signalling, Data and Synthesiser Operations*

- Built on FirmASIC® Technology -

Features

7031/7041FI-1.x:

- Full Audio Baseband Processor with Selectable Processing Order
- Voiceband and Sub-audio Signalling
- 1200/2400 bps FFSK/MSK Freeformat Data

7031/7041FI-2.x:

- 4.8 and 9.6 kbps 4FSK Data with Freeformat and Packet Modes

7031/7041FI-3.x:

- 4.8 and 9.6 kbps C4FM Data with Freeformat and Packet Modes

Common to all Versions

- Half-duplex Operation
- Two On-chip RF Synthesisers (CMX7031)
- Reference Clock PLLs
- Auxiliary ADCs and DACs
- Single and Two-point Mod Tx Outputs
- I and Q Mod Tx Outputs
- Three Analogue Inputs
- Flexible Powersave Modes
- Supply Requirement Range: 3.0 to 3.6 V

Applications

- PMR and LMR Systems
- Trunked Radio
- Marine, Aviation and Amateur Radio
- National Weather Radio (NWR)

CMX7031 and CMX7041: two-way radio processor ICs built on FirmASIC® technology. The specific function and feature-set of the IC is determined by the loading of a small data file, the Function Image™ (FI) file. Function Image™ files are available from the Technical Portal area of the CML website.

Current Function Image™ files available for these products are:

- Two-way Radio Processor: 7031/7041FI-1.x
- 4FSK Data Pump: 7031/7041FI-2.x
- C4FM Data Pump: 7031/7041FI-3.x

The CMX7031 and CMX7041 two-way radio processors enable a revolutionary new platform approach to radio design. They provide a comprehensive feature-set as standard plus a roadmap of function enhancements available through CML's FirmASIC® technology. Additionally, the CMX7031 features two on-chip RF synthesisers.

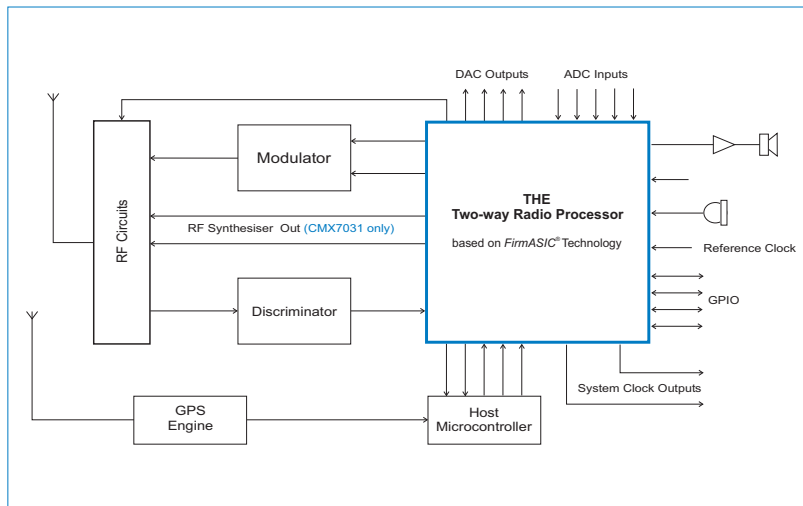
As full-function, half-duplex, audio, signalling and data processor ICs, they are suitable for implementation in professional radio (PMR/LMR, trunking), leisure radio (GMRS, FRS, PMR446, and MURS) and marine VHF, aviation and amateur radio products. These products provide concurrent sub-audio band and in-band signalling, complete audio processing and a comprehensive data modem implementation.

The FFSK/MSK data modem included in the two-way radio processor IC provides a freeformat synchronised data mode, utilising CRC, FEC, interleaving and scrambling.

The half-duplex 4-level FSK modem is suitable for use in PMR/LMR radios. With a suitable host µcontroller and radio modules, this provides the digital baseband processing to implement a radio function to satisfy the requirements of ETS 102 490 and EN 301 166 or EN 300 113.

The half-duplex C4FM modem is suitable for use in PMR/LMR radio designs in conjunction with a suitable host controller and RF circuits.

To enable full control of the radio functions and to minimise the overall chip count, two user programmable system clock outputs and auxiliary ADC and DAC blocks are available. A user-programmable PLL, driven from the Xtal/reference clock input, generates all internal clocks.



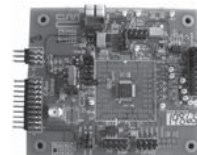
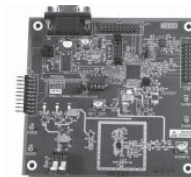
Packages

CMX7031L9	64-pin LQFP
CMX7031Q1	64-pin VQFN
CMX7041L4	48-pin LQFP
CMX7041Q3	48-pin VQFN

Operating Temperature -40 to +85 °C

Support

- PE0201 Evaluation Kit
- PE0402 Evaluation Kit
- PE0002 EvKit Interface Card



Brief CMX7031 and CMX7041 Technical Basics

	min	typ	max	
Typical Supply Current at 3.0 to 3.6 V				
Rx/Tx (Digital)	-	4.8/6.1	-	mA
Rx/Tx (Analogue)	-	3.0/3.0	-	mA
Powersave	-	50.0	100	µA
Additional Current for each RF Synthesiser (CMX7031)	-	2.5	-	mA
Auxiliary DAC and ADC Resolution	-	10	-	Bits
RF Synthesisers - Frequency Range	100		600	MHz
CTCSS Frequency Range	60.0		260	Hz
In-band Tone Frequency Range	288		3000	Hz
DCS Encoder Bit Rate	-	134.4	-	bps

Analogue Two-way Radio Products

RF

CMX823 Programmable Paging-tone Decoder

Multi-Standard Tone Decoding for Analogue Paging

Features

- Decodes 32 User-programmed Tones
- Stores Two Lists of 32 Tones to 'Fast-switch' Between Tone Sets
- Configurable Decode Response Time and Decode Bandwidths
- Superior Signal-to-Noise Performance
- Low Cost 3.58MHz Xtal/Clock
- Low-power Operation and 'Zero-Power' Powersaving Mode
- **Supply Requirement Range: 2.7 to 5.5 V**

Applications

- Two-tone, 5/6 Tone and Voice Pagers
- Selective Calling (Selcall) Systems
- Wireless Local Loop Signalling
- Voice Pager Switching and Signalling
- Revertive Paging Systems
- Audio Tone Signalling Applications

The CMX823 is a high performance, low-power, audio tone decoder that can operate on low S/N signals. Each decoded tone frequency is user-defined to provide the flexibility to operate in a variety of paging, two-way radio and proprietary systems.

Example systems and tones include: Motorola Quick Call series; GE groups A, B and Zetron, Reach and Plectron 2-tone radio paging; Motorola 5/6-tone paging; and the EIA, CCIR, ZVEI1 and EEA tonesets used for HSC radio paging and Selcall.

Up to 32 user-defined decode tone frequencies from 280Hz to 3500Hz are written to an internal RAM-based FIFO. Two separate 32-tone FIFOs are provided and support fast switching between tone sets. Each programmed tone (entry in the list) is user-assigned to one of two (or both) tone groups.

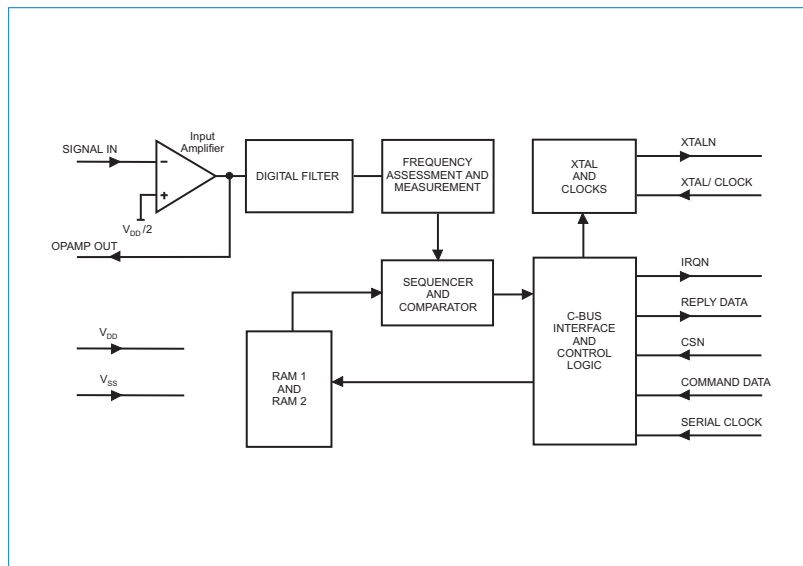
Two-tone sequence decoding is simplified by dynamically enabling one or the other tone groups via a mode selection function.

The CMX823 asserts an interrupt on tone decoding state transitions, e.g. NOTONE-to-decoded tone, decoded tone-to-NOTONE. 'Status' and 'Decoded Tone' parameter registers may then be read to indicate the decoder status, the target tone decoded and its tone group.

Analogue Two-way Radio

Wireless Data

Marine Safety and Comms



Packages	
CMX823E4	16-pin TSSOP
Operating Temperature -40 to +85 °C	

Digital Voice

Custom

Embedded

Brief CMX823 Technical Basics

	min	typ	max	
■ Typical Operating Current at 2.7 to 5.5 V Powersave (Zero Power)	-	0.75	1.5	mA
■ Decoder Sensitivity	-	1.0	2.0	µA
■ Response Time (Slow Measurement Mode)	-	-65.0	-	dB
■ Deresponse Time (Slow Measurement Mode)	-	33.0	49.0	ms
■ Response Time (Fast Measurement Mode)	-	79.0	85.0	ms
■ Deresponse Time (Fast Measurement Mode)	-	28.0	37.0	ms
■ Frequency Range	-	46.0	65.0	ms
		280 to 3500		Hz

Wireline Data and Telephony

Analogue Two-way Radio Products

CMX838 FRS/PMR446/GMRS 'Family Radio' Processor

Versatile Sub-Audio Implementation

Features

- Advanced 'Any One of Any' CTCSS
 - Sub-audio 50-tone Processor
 - Fast Decode Time
 - IRQ on Any/All Valid Tones
 - Fast Scan, Group Calling
 - Auto-response Tone Select and Tone Cloning Support
- RF Synthesiser
- FRS, PMR446 and GMRS RF Channels
- Configurable Charge-pump
- Audio Call-tone Generator
- Audio Processing:
 - Mic and Amplifier, Pre/De-Emphasis, Limiter, Post Limiter Filtering
 - Rx and Tx Digital Gain Controls
 - Single and Dual Tx Outputs
- C-BUS Serial Control/Data Interface
- Signal Source and External Function Selection
- Supply Requirement Range: 2.7 to 5.5 V

The highly integrated CMX838 'Family Radio' (FRS) Processor includes sub-audio, audio and synthesiser functions to serve as the core engine for low cost, high performance FRS, PMR446 and GMRS radio designs.

Its flexibility supports both simple and advanced multi-channel radios without cost penalties. Integrated Tx voltage reference and baseband clock generation circuits eliminate the need for external components.

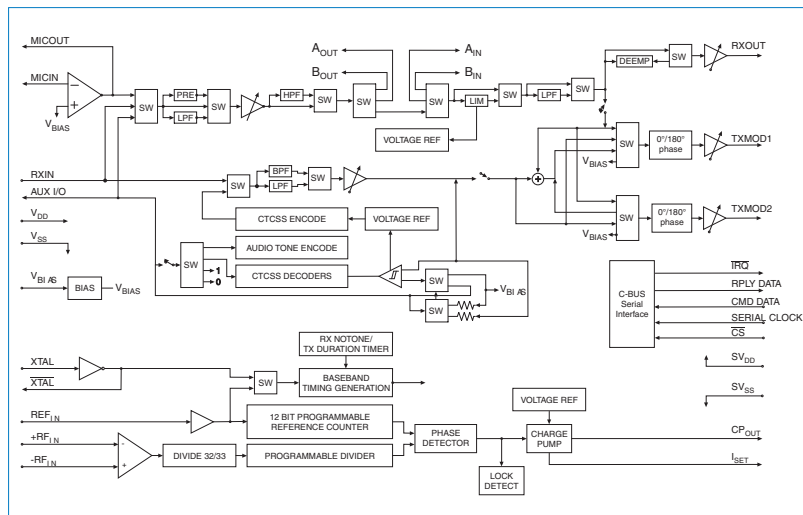
The CMX838's features directly support advanced end-product functions such as: group calling, scanning, automatic scanner response tone set-up and tone cloning.

By using the CMX838, one global radio design can support multiple standards and markets.

Controlled via a serial interface (C-BUS) the Family Radio Processor operates from a single 2.7 to 5.5 V supply.

Applications

- Family Radio Service (FRS)
- Pan-European PMR 446; Hand Portable Mobile Radio
- General Mobile Radio Service (GMRS)



Packages

CMX838E1 28-pin TSSOP
Operating Temperature -40 to +85 °C

Brief CMX838 Technical Basics

	min	typ	max	
■ Operating Current at 3.0 to 5.5 V				
Rx (CTCSS + Audio + Synth)	-	11.0	15.1	mA
Rx (CTCSS + Audio)	-	2.0	2.4	mA
Tx (CTCSS + Audio + Synth)	-	11.3	15.4	mA
Tx (CTCSS + Audio)	-	2.3	2.7	mA
All Powersaved	-	0.2	0.3	mA
■ CTCSS				
Frequency Range		60 to 255		Hz
■ Tone Decoder Sensitivity (Pure Tone)		15.0		mVrms

Analogue Two-way Radio Products

RF

CMX881 Baseband Processors for PMR, Trunked and Leisure Radios CMX882 *Full-Feature Audio Processing, Signalling and Data Family of ICs* CMX883

Features

- Automatic Signal Scanning with IRQ on Detection of Valid Rx Signals
- Single/Dual Mic. and Demodulator Inputs with Programmable Input Gain
- Selectable 12.5 and 25 kHz Channel Filters
- Pre- and De-emphasis
- Companding
- Frequency Inversion Scrambling (CMX882/CMX883)
- CTCSS and DCS Encoding/Decoding
- DTMF Encoding (CMX881)
- XTCSS Signalling (CMX882/CMX883)
- Inband (Selcall) Tone Encoding/Decoding
- FFSK/MSK Modems (IC Dependant)
- Single/Two-point Modulation Outputs with Level Adjustment
- Supply Requirement Range:
 - CMX881 and CMX882: 2.7 to 5.5 V
 - CMX883: 2.7 to 3.6 V

Applications

- PMR, Trunked and Leisure Radio Systems

The CMX881, CMX882 and CMX883 is a family of full function, half duplex baseband processors for use in a wide range of two-way radio systems.

Each designed for a specific genre of radio operation, the products offer full voiceband processing including: channel path selection and filtering, pre- and de- emphasis, companding and versatile gain-adjustable input and output stages. In addition, the CMX882 and CMX883 offer selectable frequency inversion scrambling facilities.

The combination of new and standard signalling functions of these products provide, under software control, increased functionality, versatility and privacy via on-chip inband (Selcall) tone, versatile sub-audio (CTCSS and DCS) generation and detection and the combination signalling features of XTCSS, a system that employs both CTCSS and inband signalling concurrently.

System and functional data requirements of the CMX881 and CMX882 are catered for by the provision of integrated FFSK/MSK data modems with freeformat and packet facilities.

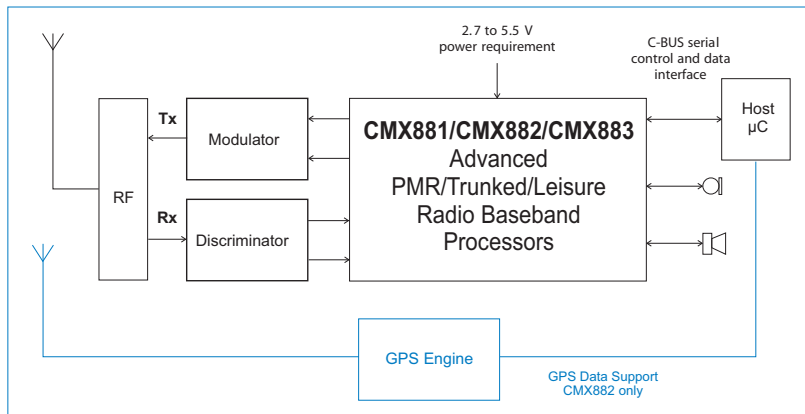
In addition, for system support, each product includes an auxiliary ADC circuit for the monitor of external signals or levels.

With their ultra low power requirements and graduated powersave features, these products, in their compact plastic encapsulations, offer a smaller footprint, are easier to design-in and require less external components in portable, mobile and base radio systems.

CMX881 Baseband Processor for PMR and Trunked Radios

CMX882 Baseband Processor with GPS Data Signalling for FRS, MURS, PMR446 and GMRS 'Leisure Radios'

CMX883 Baseband Processor for FRS, MURS, PMR446 and GMRS 'Leisure Radios'



Packages	
CMX881D6	28-pin SSOP
CMX881E1	28-pin TSSOP
CMX882E1	28-pin TSSOP
CMX883E1	28-pin TSSOP
Operating Temperature -40 to +85 °C	

Brief CMX881, CMX882 and CMX883 Technical Basics

	min	typ	max	
■ Operating Current ($I_{DD}(A)$) at 3.0V Powersave	-	1.0	2.0	mA
■ Operating Current ($I_{DD}(D)$) at 3.0V Powersave	-	2.0	10.0	µA
■ Rx Signal Type Identification - probability of correct type-indentification	-	>99.9	-	%
■ CTCSS Facility Frequency Range	-	60 to 260	-	Hz
■ DCS Encoder Bit Rate	-	134	-	bps
■ In-band Tone Facility Frequency Range	-	400 to 3000	-	Hz
■ FFSK/MSK Bit Rates	-	1200 and 2400	-	bps

Analogue Two-way Radio

Wireless Data

Marine Safety and Comms

Digital Voice

Custom

Embedded

Wireline Data and Telephony

NOTES

Digital PMR/LMR Products

RF

Digital PMR/LMR

Digital PMR/LMR Products by Function		Baseband Processor	pi/4QPSK	4FSK	FFSK/MSK	Voice Codec	Aux ADC	Aux DAC	RF Synthesisers (CMX7131/CMX7031)	Synthesised Aux Clocks	Digitally Controlled Amps	EvKits	Page No.
DE6181 Demonstration Kit for CMX618 and CMX7141		Demonstration for Design										•	40
ATB010 dPMR® RF Demonstrator												•	
CMX7131 and CMX7141 Digital PMR Processors													
7131/7141FI-1.x dPMR® Processor				•			•	•	•	•	•	•	41
7031/7041FI-1.3.x Analogue TWR Processor		•			•		•	•	•	•	•	•	
7131/7141FI-2.x DCR-specific (ARIB STD-T98) 4FSK Modem				•			•	•	•	•	•	•	
7131/7141FI-3.x NXDN™-specific 4FSK Modem				•			•	•	•	•	•	•	
7131/7141FI-5.x dPMR® and Analogue PMR446 Processor		•		•			•	•	•	•	•	•	42
CMX8341 dPMR® Processor		•		•		•	•	•			•	•	43
CMX981 Advanced Digital Radio Baseband Processor with Voice Codec		•	•			•	•	•				•	
Relevant Products in Other Sections													
CMX608, CMX618 and CMX638 RALCWI™ Vocoders		Digital Voice Products											65
CMX7261 Voice Multi-transcoder		Digital Voice Products											70
CMX991 RF Quadrature Transceiver													21
CMX992 RF Quadrature Receiver													22
CMX993/CMX993W RF Quadrature Modulator		RF Products											23
CMX994 Direct Conversion Receiver													24
CMX998 Cartesian Feed-back Loop Transmitter													25

- available function

ICs and evaluation/demonstration kits covering voice, data and signalling requirements in digital PMR/LMR applications. Features available include RF circuits, voice codecs, high performance filters, external and internal circuit monitors and air interfaces.

Wireless Data

Marine Safety and Comms

Digital Voice

Custom

Embedded

Wireline Data and Telephony

Digital PMR/LMR Products

Demonstration/Evaluation Kits for Digital PMR/LMR ICs

- Built on FirmASIC® Technology -

DE6181 and ATB010

Compact, Low-cost Baseband and RF Technology Demonstrators

DE6181 Features

- Digital PMR IC^[1] and CMX618 Devices On Board
- Function Image™ load from C-BUS or Serial Flash Memory
- Mic., Speaker, Line-out and Tx/Rx Interfaces
- Auxiliary ADC and DAC Interfaces
- C-BUS Serial Interface
- Control by PC via the User's Microcontroller
- Interfaces to RF Daughterboard with all Necessary Signals
- On-Board Power Regulation and Distribution

The **DE6181** is designed to assist in the evaluation of the digital PMR family of products, when loaded with a Function Image™ (FI) and a CMX6x8 emulation IC.

The kit is in the form of a populated PCB comprising the target IC and one of the CMX6x8 ICs and appropriate supporting components and circuitry. Function Images™ (FI) for dPMR® radio designs and other applications are available from the CML website.

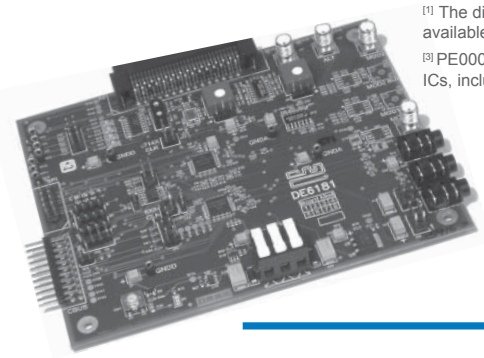
The board is fitted with connectors allowing the DE6181 to be operated with a CML PE0002^[2] Interface Card and associated PC GUI software, or by direct connection between the target IC C-BUS serial port and the user's µC development application or emulation system.

The Function Image™ (FI) can be loaded, on power-up, directly into the on-board target IC using the PE0002 interface or the user's system. Alternatively, it can be pre-loaded, separately, into the on-board Flash EEPROM for automatic operation on power-up. The target device is specially configured for use on the DE6181 kit and is not available as a production part. It is capable of demonstrating the operation of any CMX714x product.

The DE6181 board also incorporates all the necessary power-supply regulation facilities for operation from a single 5 volt supply, together with a number of board jumpers to enable various circuit arrangements to be effected.

^[1] The digital PMR IC (CMX7140) is a functional emulation IC for use with this DE6181 DemoKit and is not available as a production IC.

^[2] PE0002: Evaluation Kit - a global interface system for use with evaluation kits for CML's new generation ICs, including FirmASIC®-based products.



The **ATB010** is a compact, low cost, PCB-based RF technology demonstrator aimed at speeding manufacturers' design and development of dPMR®/PMR446 transceiver products. The board is designed as a plug-in to the CML DE6181^[2] demonstration kit.

Along with a PE0002^[3] and a host controller, a full RF transceiver can be assembled to offer a variety of voice and data options configurable via Function Image™ and control scripts.

All the necessary RF circuits are provided on the ATB010 PCB: receiver and transmitter VCOs, a 500mW RF power amplifier, harmonic filter, antenna switching, LNA, RF to IF mixer and limiter discriminator IF processing.

The RF performance of the ATB010 is designed to be compliant with EN 301 166 (6.25kHz dPMR®) and EN 300 296 (12.5kHz PMR446). The DE6181 demonstration kit is a flexible platform that can provide both digital (dPMR®) and analogue (PMR446) functionality.

The design is production-engineered for a low bill of materials cost, with a minimum number of component types and values and uses only low-cost off-the-shelf components.

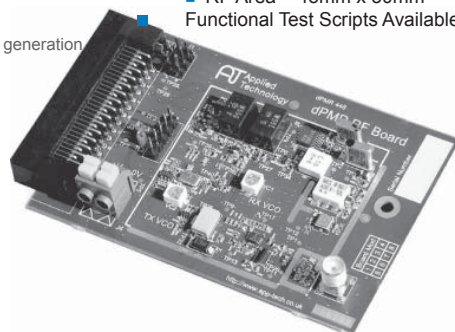
The design uses a single 3.6V supply: 3 AAA cells or a Li-ion battery.

^[2] DE6181: Demonstration Kit for CML's CMX618 and CMX7141.

^[3] PE0002: Evaluation Kit - a global interface system for use with evaluation kits for CML's new generation ICs, including FirmASIC®-based products.

ATB010 Features

- Low Cost dPMR®/PMR446 Technology
- Meets EN 301 166 (dPMR®) and EN 300 296 (PMR446)
- Tx Operation 446.0 to 446.2 MHz at 500mW
- Sensitive Switched Bandwidth Limiter-Discriminator Receiver
- On-board 19.2MHz Reference and PLL/VCOs for 446MHz Operation
- DE6181 (CMX7141) Interfacing and PE0002 Control via PC
- Low BOM Cost
- Compact PCB Footprint:
 - RF Area = 45mm x 50mm
- Functional Test Scripts Available



Digital PMR/LMR Products

RF

CMX7131 Digital PMR Processor CMX7141 Audio and Data Operations

- Built on FirmASIC® Technology -

Features

- Digital PMR:
 - dPMR® (ETSI TS 102 490) Compliant
 - Air Interface for Physical Layer
 - Air Interface for Data Link Layer
- 4FSK Modem:
 - Data Rates: 4.8 and 9.6 kb/s
 - 'Soft-Decision Decode' Option
 - Automatic Frame Sync Detection (AFSD)
 - Raw Data Mode
- Vocoder Connectivity, Management and Control
- Auxiliary ADCs and DACs
- Auxiliary System Clock Outputs
- Digital PMR Tx Outputs for Two-point and I/Q Modulation
- Two RF Synthesisers (CMX7131)
- Supply Requirement Range: 3.0 to 3.6 V

Applications

- Digital PMR/LMR Radios
- Satisfies:
 - ETS 102 490, EN 301 166
 - EN 300 113 and ARIB STD-T98 DCR
- Supports Third-party Vocoders

The CMX7131 and CMX7141 are half-duplex 4FSK modem IC platforms suitable for use in digital radio systems, including dPMR® and DCR radio designs. Alternatively, these ICs can be configured to operate as a complete analogue two-way radio processor.

Using CML's proprietary FirmASIC® component technology, on-chip sub-systems are configured by a Function Image™ (FI) file: a data file that is uploaded during device initialisation that defines the device's function and feature set.

In conjunction with a suitable host µController and RF circuits, these ICs provide the digital baseband processing to implement a radio to satisfy the requirements of ETS 102 490, EN 301 166 or EN 300 113 and ARIB STD-T98 DCR.

The Function Image™ file can be loaded automatically from an external EEPROM or host µController over the built-in C-BUS serial interface.

Other features include two auxiliary ADCs with four selectable inputs and four auxiliary DAC interfaces with an optional RAMDAC on the first DAC output, to facilitate transmitter power ramping.

Use with Vocoders

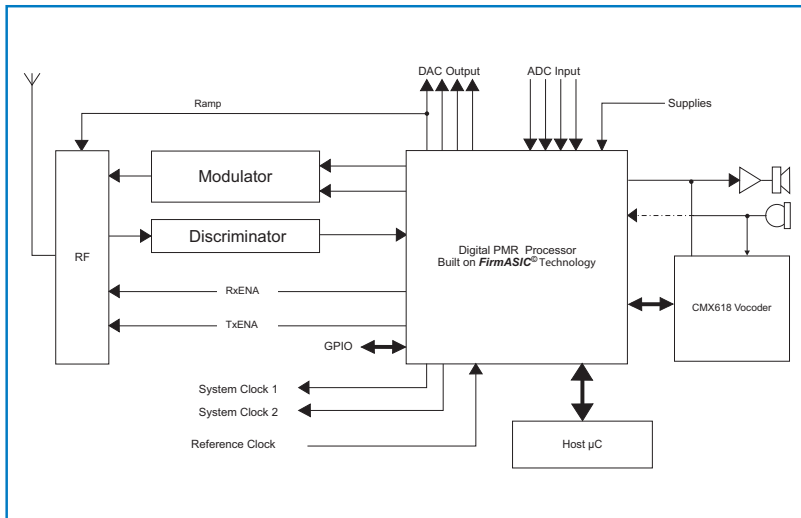
When used with a half-duplex vocoder IC, each device will provide a highly integrated baseband solution for dPMR® and DCR radio designs. CML's Digital Voice Technology (RALCWI™) and third-party (DVS's AMBE-2020™ and AMBE-3000™) vocoders are supported.

Analogue Two-way Radio Processing

The CMX7131 and CMX7141 can each be configured to operate as an Analogue Two-way Radio Processor using the CMX7031/CMX7041 Function Image™: 7031/7041FI-1.3.x; an ability which offers the IC a true 'dual-mode' analogue/digital capability.

Function Images currently available:

7131/7141FI-1.x	dPMR® Processor
7131/7141FI-2.x	DCR-specific (ARIB STD-T98) 4FSK Modem
7131/7141FI-3.x	NXDN™-specific 4FSK Modem
7131/7141FI-5.x	dPMR® /PMR446 Processor
7031/7041FI-1.3.x	Analogue Two-way Radio Processor

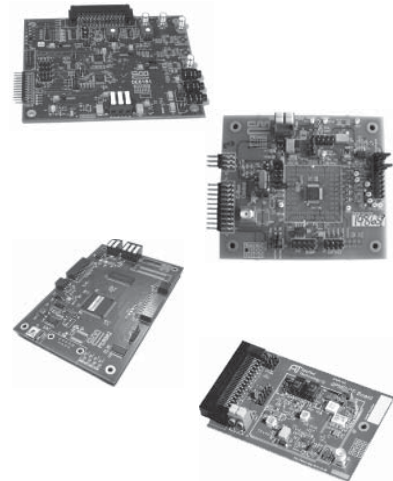


Packages

CMX7131L9	64-pin LQFP
CMX7131Q1	64-pin VQFN
CMX7141L4	48-pin LQFP
CMX7141Q3	48-pin VQFN
Operating Temperature -40 to +85 °C	

Support

- DE6181 - this product is available as a demonstrator with the CMX608 or CMX618
- PE0402 EvKit
- PE0002 EvKit Interface Card
- ATB010 RF Technology Demonstrator



Brief CMX7131/CMX7141 Technical Basics

	min	typ	max	
■ Supply Current (D/A) at 3.0 to 3.6 V Powersaved	-	8.0/4.0	100/20	µA
■ Idle	-	1.4/1.6	-	mA
■ Rx (9600bps search for FS)	-	7.5/1.6	-	mA
■ Tx (9600bps Two-point)	-	5.2/1.5	-	mA
■ Tx (9600bps I/Q)	-	7.3/1.5	-	mA
■ Input Amp Open-loop Voltage Gain	-	80.0	-	dB
■ Modulation Type		4FSK		
■ Modem Symbol Rate		2400 to 4800		s/sec

Digital PMR/LMR

Wireless Data

Marine Safety and Comms

Digital Voice

Custom

Embedded

Wireline Data and Telephony

Digital PMR/LMR Products

CMX8341 Digital PMR (dPMR®) and Analogue Baseband Processor

- Built on FirmASIC® Technology -

Low Power Baseband and Voice Processing for Digital and Analogue Radio Systems

Features

- Digital PMR (dPMR®) Baseband Processor
 - dPMR® (ETSI TS 102 490) Compliant
 - Physical and Data Link Layers
 - 4FSK Modem with Automatic Frame Sync Detection (AFSD) and Soft-decision Decoding
- CML's Digital Voice Technology (RALCWI™) Vocoder
 - Fully Embedded Implementation
 - No Licensing or Royalty Payments
 - 3600bps Over-air Data Rate (2400bps Voice + 1200bps FEC)
 - Four-bit Viterbi Soft-decision Decoding
- Analogue PMR (Legacy Mode)
 - Full Audio Band Processing
 - Sub-audio Filtering
 - CTCSS and DCS
 - 12.5kHz and 25kHz Channel Filtering
- Auxiliary Functions
 - DACs, ADCs, Programmable GPIO and System Clocks
 - Two-point Modulation Drivers
 - Discriminator Input
 - Supply Requirement Range: 2.7 to 5.5 V

The CMX8341 implements a half-duplex digital PMR processor including: 4FSK modem, a large proportion of the dPMR® Air Interface; Physical, Data Link and Control layers, and an embedded low bit rate RALCWI™ Vocoder (with no license or royalties required).

In conjunction with a suitable host and a limiter/discriminator based RF transceiver, a compact, low cost, low power digital PMR radio conforming to ETSI's dPMR® standard TS 102 490 can be realised.

Both Initial Services and Facilities (ISF) and Configured Services and Facilities (CSF) configurations are supported, including built-in support for BCD addressing modes. Dual mode, analogue/digital PMR operation can also be achieved with the CMX8341. The device is also compatible with ETSI's dPMR® standard TS 102 658 for Mode 1 operation.

The embedded functionality of the CMX8341, managing voice and data systems autonomously including the vocoder, minimises host µController interactions enabling the lowest operating power and therefore the longest battery life for a dPMR® radio.

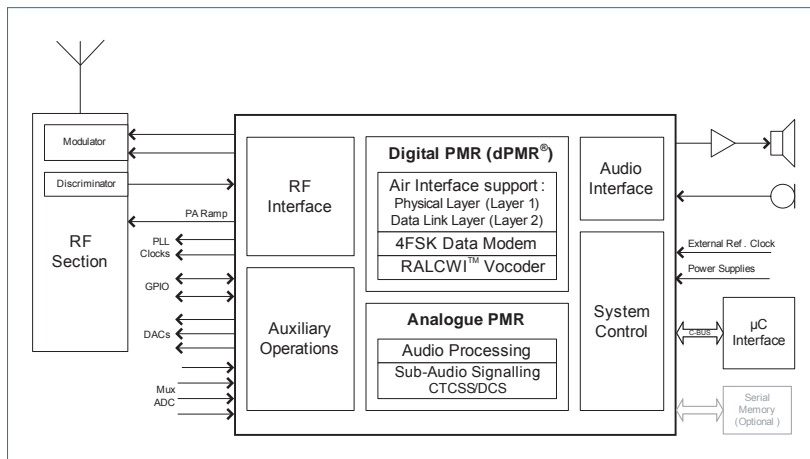
The CMX8341 utilises CML's proprietary FirmASIC® component technology. On-chip sub-systems are configured by a Function Image™: this is a data file that is uploaded during device initialisation and defines the device's function and feature set. The Function Image™ can be loaded automatically from an external serial memory or host µController over the built-in C-BUS serial interface. The device's functions and features may be enhanced by subsequent Function Image™ releases, facilitating in-the-field upgrades.

Other features include two auxiliary ADCs with four selectable inputs and four auxiliary DAC interfaces (with an optional RAMDAC on the first DAC output, to facilitate transmitter power ramping).

The device has flexible powersaving modes and is available in the L8 (LQFP) package.

Applications

- Low-cost Digital PMR and Legacy PMR/ dPMR® Radios



Packages

CMX8341L8 100-pin LQFP
Operating Temperature -40 to +85 °C

Brief CMX8341 Technical Basics

	min	typ	max	
■ Max Operating Current at 3.0 to 3.6 V				
Rx (excluding vocoder)	-	7.5	-	mA
Tx (excluding vocoder)	-	7.3	-	mA
Vocoder	-	38	-	mA
■ Auxiliary ADC and DAC Resolution		10		Bits
■ Vocoder Section Performance				
Sample Rate	-	8	-	ks/s
Data Rate (with FEC)	-	3600	-	bps
Data Rate (without FEC)	-	2400	-	bps
■ 4FSK Modem				
Symbol Rate	2400	-	4800	symbols
RC Filter Alpha Value	-	0.2	-	

Digital PMR/LMR Products

RF

CMX981 Advanced Digital Radio Baseband Processor - with Voice Codec

Low Power Baseband and Voice Processing for Digital Radio Systems

Features

- pi/4 DQPSK and Other Modulations
- High Performance Codecs:
 - Rx: Two 16-bit Sigma-Delta ADCs
 - Tx: Two 14-bit Sigma-Delta DACs
 - Aux: Six 10-bit ADCs and Four 10-bit DACs
 - Voice: 14-bit Linear Codec with Digital Filter
- Full Duplex Operation
- C-BUS and 3 Fast Serial Bus Interfaces
- 100mW Speaker Amplifier
- 16.5mW Earpiece Amplifier
- Low Power Operation with 3.3V Tolerant I/O
- Supply Requirement Range: 2.25 to 3.6 V

Applications

- Digital Radio Including Terrestrial Trunked Radio (TETRA) Systems
- RCR-39 Systems (Japan)
- Digital Wireless Local Loop
- SATCOM Terminals
- Terrestrial Flight Telephone Systems
- High Speed Wireless Data Modems
- Mixed-mode Analogue/Digital Radio Networks

The CMX981 Advanced Digital Radio Baseband Processor is a combination codec and baseband processor that interfaces analogue and digital sections of a digital radio system and performs critical DSP-intensive functions. The device supports portable, mobile and base-station Terrestrial Trunked Radio (TETRA) system applications and is also sufficiently flexible for use in other demanding digital radio systems.

The CMX981 transmit path comprises all functions required to convert digital 'symbol' data into suitably filtered analogue I and Q signals for external up-conversion and transmission. This includes digital control of output amplitudes and offsets and fully programmable digital filters. Default coefficients provide the root raised cosine (RRC) response required for TETRA.

The CMX981 receive path accepts differential analogue baseband I and Q signals, samples them and performs digital channel-select filtering to simplify host processing and data extraction. Internal digital offset correction and the digital filters are fully programmable. Default coefficients provide the RRC response required for TETRA operation.

Auxiliary DAC and ADC functions are included for the control and measurement of the radio system RF section. This may include AFC, AGC, RSSI, or part of the control system for a Cartesian Feedback Loop.

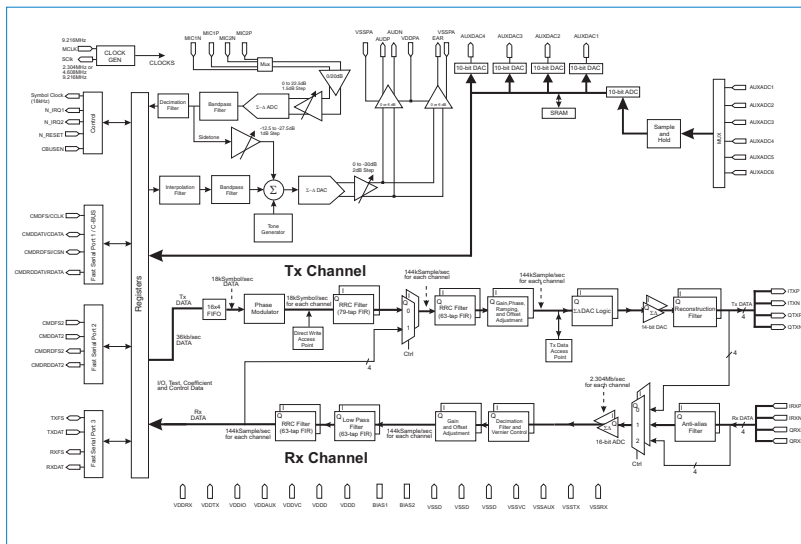
The voice codec converts voice signals into and from digital form and can be configured to apply a digital voice filter in accordance with specification G.712. The encode path accepts a differential analogue audio input signal, converts it to digital form and applies digital voice filtering to produce a processed digital stream.

The decode path accepts a digital stream written to the serial interface, applies digital voice filtering, converts the result to an analogue signal, and presents the signal at differential speaker or single-ended earphone analogue driver outputs. This path also includes a sidetone feature and a ring-tone generator.

Digital PMR/LMR

Wireless Data

Marine Safety and Comms



Packages
 CMX981Q1 64-pin VQFN
 Operating Temperature -40 to +85 °C

- Support**
- EV9810 EvKit



Digital Voice

Custom

Embedded

Brief CMX981 Technical Basics

	min	typ	max	
■ DC Operating Current	-	10.5	16.0	mA
■ AC Operating Current	-	30.0	35.0	mA
■ DC Powersave Current	-	-	50.0	µA
■ AC Powersave Current	-	1.0	1.5	mA
■ Rx Signal-to-Noise	88.0	92.0	-	dB
■ Nominal Clock Frequency (variable from 0.5 to 12.5 MHz)	-	9.216	-	MHz

Wireline Data and Telephony

RF

Narrowband Wireless Data Products

NOTES

Analogue Two-way Radio
and Digital PMR/LMR

**Wireless
Data**

Marine Safety
and Comms

Digital Voice

Custom

Embedded

Wireline
Data and Telephony

Narrowband Wireless Data Products

Narrowband Wireless Data Products by Function

	Packet Data	Freeformat Data	2FSK	4FSK	FFSK/MSK	GMSK/GFSK	QAM	Aux Functions	EvKII/s	Page No.
CMX469A 1200/2400/4800 Baud FFSK Modem		•			•					46
CMX589A GMSK Modem		•				•				47
CMX7143 Multi-mode Wireless Data Modem										
7143FI-1.x GMSK/GFSK Modem	•	•				•		•	•	48
7143FI-2.x 4FSK Modem	•	•		•				•	•	
7143FI-3.x FFSK/MSK Modem	•	•			•			•	•	
CMX7163 QAM Modem	•	•					•	•	•	49
CMX7164 Multi-mode Modem										
7164FI-2.x 2FSK and 4FSK Modem	•	•	•	•				•	•	50
7164FI-4.x QAM Modem	•	•					•	•	•	
CMX909B GMSK Packet-data Modem	•	•				•			•	51
FX/MX919B 4FSK Packet-data Modem	•	•		•					•	52
FX929B 4FSK RD-LAP Packet-data Modem	•	•		•					•	53
CMX969 4FSK RD-LAP/MDC4800 Modem	•	•		•					•	54
Relevant Products in Other Sections										
CMX981 Advanced Digital Radio Baseband Radio with Voice Codec	Digital PMR/LMR Products									43
CMX990 GMSK Packet-data Modem with RF Transceiver										20
CMX991 RF Quadrature Transceiver										21
CMX992 RF Quadrature Receiver	RF Products									22
CMX993/CMX993W RF Quadrature Modulator										23
CMX994 Direct Conversion Receiver										24
CMX998 Cartesian Feedback Loop Transmitter										25

- available function

Custom, freeformat and packet data products for use in PMR, trunked and leisure radio and telemetry, AIS and data-transfer applications. Most common data-transfer protocols are addressed at a range of speeds, utilising: FSK, FFSK/MSK, GMSK, pi/4DQPSK, 2FSK, 4FSK and QAM schemes.

Narrowband Wireless Data Products

CMX469A 1200/2400/4800 Baud FFSK Modem

Selectable 1200, 2400 and 4800 Baud Data with Carrier Detect

Features

- Selectable Data Rates:
 - 1200, 2400 and 4800 Baud
- Full Duplex FFSK/MSK
- Rx and Tx Bandpass Filters
- Clock Recovery and Carrier Detect Facilities
- Pin Selected Xtal/Clock Inputs:
 - 1.008MHz or 4.032MHz
- Supply Requirement Range: 2.7 to 5.5 V

Applications

- Data Over Radio
- PMR and Cellular Radio Signalling
- Automatic Vehicle Location (Differential GPS) Links
- Portable Data Terminals
- Personal/Cordless Telephone
- Industrial Control Signalling

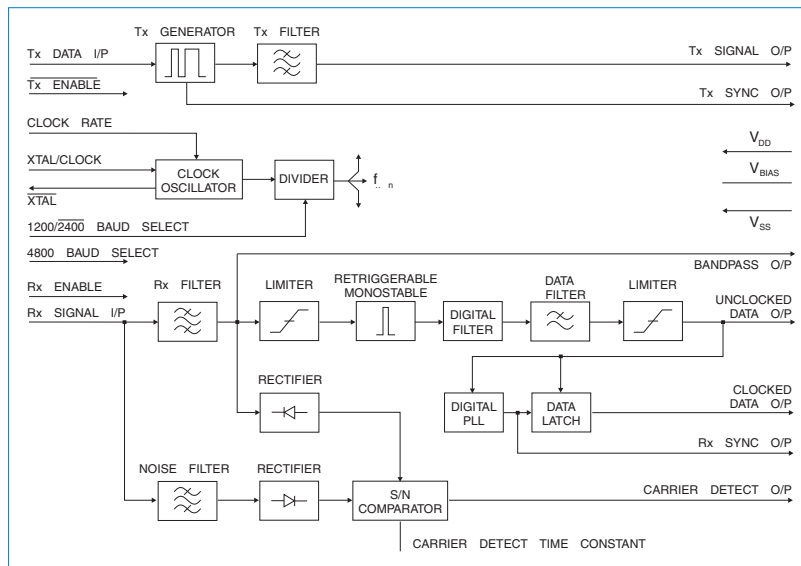
The CMX469A is a single-chip CMOS LSI circuit which operates as a full-duplex 1200, 2400 or 4800 baud FFSK/MSK modem.

The mark and space frequencies are 1200/1800, 1200/2400 and 2400/4800 Hz respectively. Tone frequencies are phase continuous; transitions occur at the zero crossing point. A common Xtal oscillator with a choice of two clock frequencies (1.008MHz or 4.032MHz) provides baud-rate, transmit frequencies and Rx and Tx synchronisation.

The transmitter and receiver operate entirely independently, including the individual section powersave functions. The CMX469A includes on-chip circuitry for Carrier Detect and Rx Clock recovery, both of which are made available at output pins.

Rx, Tx and Carrier Detect paths contain bandpass filters to optimise signal conditions in each section of the modem.

The CMX469A demonstrates good sensitivity and bit-error rate performance under adverse signal conditions. The Carrier Detect time-constant is set by an external capacitor, so that product performance can be optimised in high noise environments.



Packages

CMX469AD3	20-pin SOIC
CMX469AE2	24-pin TSSOP
Operating Temperature -40 to +85 °C	

Brief CMX469A Technical Basics

	min	typ	max	
■ Modulation		FFSK/MSK		
■ Signal Input Dynamic Range		100 to 1000		mVrms
■ Tx Output Level	-	775	-	mVrms
■ Logic Frequencies ('1'/'0')				
1200Baud	-	1200/1800	-	Hz
2400Baud	-	1200/2400	-	Hz
4800Baud	-	2400/4800	-	Hz

Narrowband Wireless Data Products

RF

CMX589A GMSK Modem

Versatile (4kbps to 200kbps) GMSK Data

Features

- Full or Half Duplex Gaussian Minimum Shift Keying (GMSK)
- Data Rates: 4kbps to 200kbps
- Selectable BT: 0.3 or 0.5
- TSSOP Pack fits PCMCIA and PC Cards
- Low Current Non-DSP Solution
- Supply Requirement Range: 3.0 to 5.5 V

Applications

- Meets RCR STD-18
- Wireless LAN/Modems
- Handy Data Terminals
- Automatic Vehicle Location (Differential GPS) Links
- Low Power Wireless Data Links for PCs, Laptops and Printers
- Point-Of-Sale Terminals
- Wireless Bar-Code Readers and Stock Controllers
- Wireless Local Loop
- Amateur Packet Radio
- Wireless ISDN

The CMX589A is a single-chip synchronous data pump/modem designed for wireless data applications. Employing Gaussian filtering for Minimum Shift Keying (GMSK) baseband modulation applications, the CMX589A features a wide range of available data rates from 4kbps to 200kbps. Data rates and the choice of BT (0.3 or 0.5) are pin programmable to provide for different system requirements.

The Tx and Rx digital data interfaces are bit-serial, synchronised to generated Tx and Rx data clocks.

Separate Tx and Rx powersave inputs allow full or half-duplex operation. Rx input levels can be set by suitable ac and dc level adjusting circuitry built with external components around an on-chip Rx Input Amplifier.

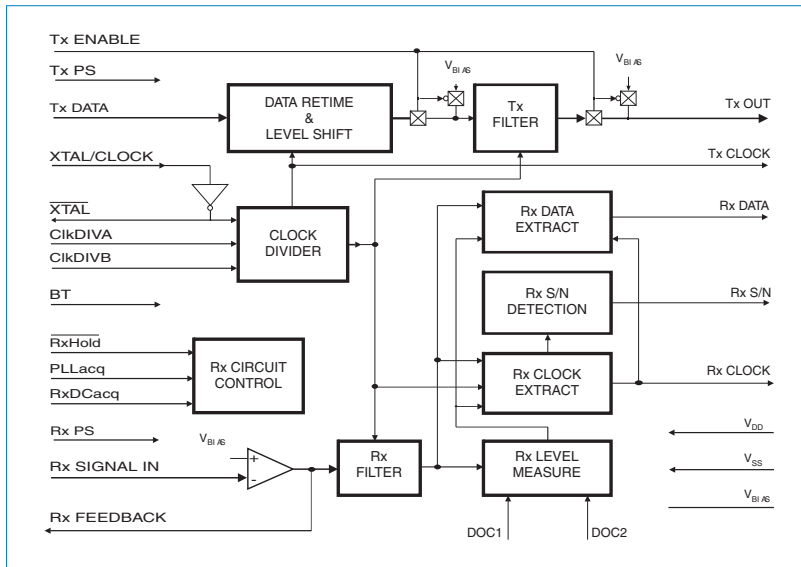
Acquisition, Lock, and Hold of Rx data signals is made easier and faster by the use of Rx Control Inputs to clamp, detect, and/or hold input data levels and can be set by the μ Processor as required.

The Rx S/N output provides an indication of the quality of the received signal.

Analogue Two-way Radio and Digital PMR/LMR

Wireless Data

Marine Safety and Comms



Packages	
CMX589AD2	24-pin SOIC
CMX589AD5	24-pin SSOP
CMX589AE2	24-pin TSSOP
CMX589AP4	24-pin PDIP
Operating Temperature -40 to +85 °C	

Brief CMX589A Technical Basics

- Typical Supply Current at 3.0V Powersave
- Modulation
- BT
- Rx and Tx Data-rate Range
- Rx Filter Signal Input Level
- Tx Output Level

	min	typ	max	
Typical Supply Current at 3.0V Powersave	-	1.5	-	mA
Modulation	-	0.5	-	mA
BT		GMSK		
Rx and Tx Data-rate Range		0.3 and 0.5		
Rx Filter Signal Input Level	0.7	1.0	1.3	kbps
Tx Output Level	0.8	1.0	1.2	V p-p

Digital Voice

Custom

Embedded

Wireline Data and Telephony

Narrowband Wireless Data Products

CMX7143 Multi-mode Wireless Data Modem

Flexible Data Modes on a Versatile IC Platform

- Built on FirmASIC® Technology -

Features

- Multiple Modulation Types:
 - GMSK/GFSK
 - 4FSK
 - FFSK/MSK
- Flexible Bit-rates
- Formatted or Raw Data Modes
- Data Pump and Carrier Sense Facilities
- Automatic Preamble and Frame Sync Detection and Insertion
- Three Analogue Signal Inputs
- Tx Outputs for Two-point and I/Q Modulation
- Auxiliary ADCs and DACs
- Auxiliary System Clock Outputs
- **Supply Requirement Range:**
3.0 to 3.6 V

Applications

- Wireless Data Modems
- Point-to-Point Telemetry Systems
- M2M Applications
- Traffic and Vehicle Location Systems

Designed for use in wireless data environments, the CMX7143 is a half-duplex modem with carrier-sense and automatic control of transmit hardware, including RAMDAC for PA ramping. The device utilises CML's proprietary FirmASIC® component technology. On-chip sub-systems are configured by a Function Image™: this is a data file that is uploaded during device initialisation and that defines the device's function and feature set.

The Function Image™ can be loaded automatically from an external EEPROM or from a host µController over the built-in C-BUS serial interface. The device's functions and features can be enhanced by subsequent Function Image™ releases, facilitating in-the-field upgrades.

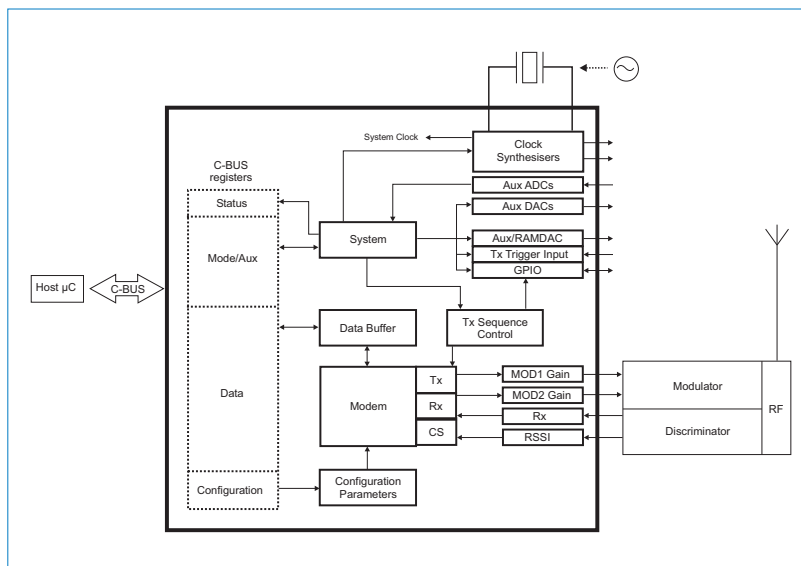
Carrier-sense provides a listen-before-talk capability, automatically reverting to receive if activity on channel is detected.

In receive, automatic frame sync detection provides acquisition of the received signal with minimal host intervention. Two different frame sync patterns may be searched for concurrently, with little need for preamble.

Other features include two auxiliary ADC channels with four selectable inputs and up to four auxiliary DAC outputs (with an optional RAMDAC on the first DAC output, to facilitate transmitter power ramping). System timing is supported by the on-chip system clock outputs.

Function Images currently available:

7143FI-1.x	GMSK/GFSK Modem
7143FI-2.x	4FSK Modem
7143FI-3.x	FFSK/MSK Modem

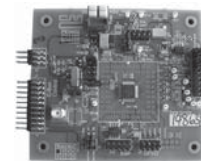


Packages

CMX7143L4	48-pin LQFP
CMX7143Q3	48-pin VQFN
Operating Temperature -40 to +85 °C	

Support

- PE0402 EvKit
- PE0002 EvKit Interface Card



Brief CMX7143 Technical Basics

	min	typ	max	
■ GMSK/GFSK Modem Symbol Rate		2000 to 20000		sym/s
Filter BT	0.5, 0.3, 0.25, 0.27			
■ 4FSK Modem Symbol Rate		2000 to 20000		sym/s
Filter RRC Alpha	0.2			
■ FFSK/MSK Modem Symbol Rate		1200 to 2400		sym/s

Narrowband Wireless Data Products

RF

CMX7163 QAM Modem

- Built on FirmASIC® Technology -

Low Power Half-duplex Quadrature Data and Multiple Channel Spacing (6.25kHz to 25kHz) Support

Features

- Half-duplex QAM Modem
- 4/16/64 QAM: up to 96kbps in 25kHz
- Channel Estimation and Equalisation
- Packet and Raw Modes with FEC
- Formatted Blocks for Packet Construction
- Two Frame Sync Detectors and Auto Frame Sync Detect
- Rx Carrier Frequency and Phase Correction
- Zero IF Radio Interface
 - Digital IF Filter Reconfigures for Multiple RF Channel Spacings
 - Tx and Rx 'Direct Connect'
 - Automatic DC Offset Correction
- Rx Signal Quality Measurement
- Auxiliary DAC, ADC and GPIO Features
- Autonomous RAMDAC Sequencer
- Sequence GPIO on Tx or Rx Trigger
- Synthesised Clock Generators
- Flexible C-BUS/SPI Serial Interface
- Pass-through Mode Expands Host/SPI Capacity
- [Supply Requirement Range: 3.0 to 3.6 V](#)

Applications

- High Performance Narrowband Radios
- Telemetry, SCADA and Data Modems
- Digital Software Defined Radio (SDR)
- High-speed Wireless Data

The CMX7163 low power QAM Modem is a half-duplex device supporting multiple channel spacings under host microcontroller (µC) control. Its Function Image™ (FI) is loaded to initialise the device and determine modulation types.

The 7163FI-4.x supports 4-, 16- and 64-QAM modulations up to 96kbps in a 25kHz channel, with channel estimation and equalisation to provide robust performance under realistic channel conditions.

Flexible bit rates support a wide range of applications requiring a selectable bit rate and robustness.

Forward error correction and raw modes are available and support user-defined packet structures to support a range of applications. For greater flexibility, different rate FEC modes are provided. Receive signal quality measurement is supported, making a useful assessment of link conditions.

High performance digital IF filters may be reconfigured to support multiple channel spacings via host command. This feature may eliminate the need to switch between multiple discrete IF filters.

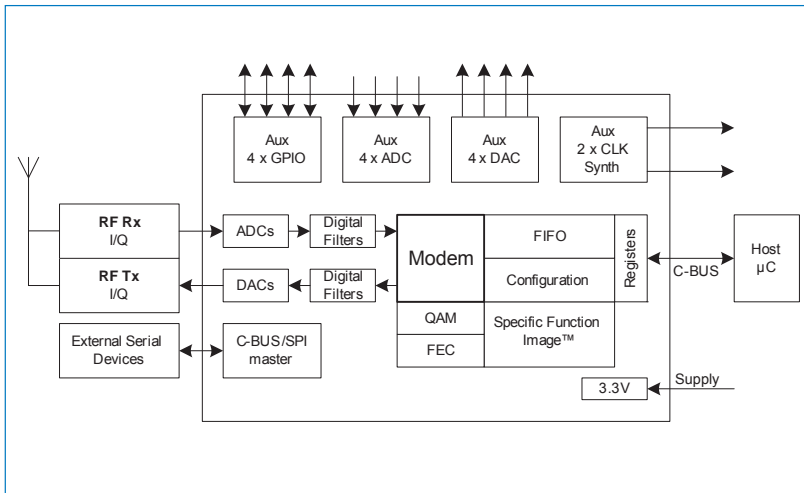
An integrated analogue interface supports 'direct connection' to zero IF I/Q radio transceivers with few external components; no external codecs are required.

Intelligent auxiliary ADC, DAC and GPIO subsystems perform valuable functions and minimise host interaction and host I/O resources. Two synthesised system clock generators develop clock signals for off-chip use. A C-BUS/SPI master interface expands host C-BUS/SPI ports to control external devices.

The device utilises CML's proprietary FirmASIC® component technology. On-chip sub-systems are configured by a Function Image™ data file that is uploaded during device initialisation and defines the device's function and feature set.

The Function Image™ can be loaded automatically from a host µC over the C-BUS serial interface or from an external memory device.

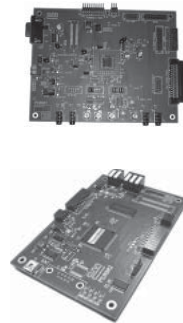
The device's functions and features can be enhanced by subsequent Function Image™ releases, facilitating in-the-field upgrades.



Packages	
CMX7163L9	64-pin LQFP
CMX7163Q1	64-pin VQFN
Operating Temperature -40 to +85 °C	

Support

- PE0601 - 7163 EvKit
- PE0002 EvKit Interface Card



Brief CMX7163 Technical Basics

	min	typ	max	
■ Typical Supply Current at 3.0 to 3.6 V				
Rx	-	24.1 to 34.1	-	mA
Tx	-	11.1	-	mA
Idle	-	550	-	µA
Powersaved	-	1.0	-	µA
■ Modem				
Modulation		QAM		
Symbol Rate		2000 to 20000		s/sec
RRC Filter Alpha Value		0.2 or 0.35		

Analogue Two-way Radio and Digital PMR/LMR

Wireless Data

Marine Safety and Comms

Digital Voice

Custom

Embedded

Wireline Data and Telephony

Narrowband Wireless Data Products

CMX7164 Multi-mode Modem

- Built on FirmASIC® Technology -

2FSK, 4FSK and 4/16/64QAM with Selectable (6.25kHz to 25kHz) Channel Spacing

Features

- Multiple Modulation Types:
 - 4/16/64 QAM; up-to 96kbps in 25kHz
 - 2 and 4 FSK; up-to 20kbps in 25kHz
- Raw and Packet Structures
- Automatic Frame Sync Detection
- High Performance I/Q Radio Analogue Interface
- Tx and Rx: 'Direct Connect' to Zero-IF Transceiver
- Digital IF Filter Reconfigures for Multiple RF Channel Spacings
- Deviation Control Without Manual (Tx) Trim
- Auxiliary Functions:
 - Ten-bit ADCs and DACs plus an Autonomous RAMDAC
 - Configurable GPIO Ports
 - Automatic Support for DC Calibration of CMX998
 - Synthesised Clock Generators
- Supply Requirement Range: 3.0 to 3.6 V

Applications

- High Performance and High-speed Narrowband Data Radio
 - Telemetry/SCADA/Data Modems
 - FCC Part 90 Systems
- Digital Software Defined Radio

The CMX7164 Multi-mode Modem is a half-duplex IC currently supporting QAM and 2/4 FSK modes, in multiple channel spacings, under host control. The relevant Function Image™ (FI) file is loaded to initialise the hardware and determine modulation types.

Function Image™ files currently available:

7164FI-2.x 2FSK and 4FSK Modem
7164FI-4.x QAM Modem

The 7164FI-2.x operates to 2FSK and 4FSK with up to 20kbps in a 25kHz channel, and is Root Raised Cosine (RRC) filtered with $\alpha = 0.2$ and optional sinc filtering. User programmable filters are also available.

Flexible bit rates support a wide range of applications requiring a selectable bit rate and data robustness. Zero IF (I/Q) and two-point modulation (Mod1/2) transmit modes are available, with a zero IF receive mode.

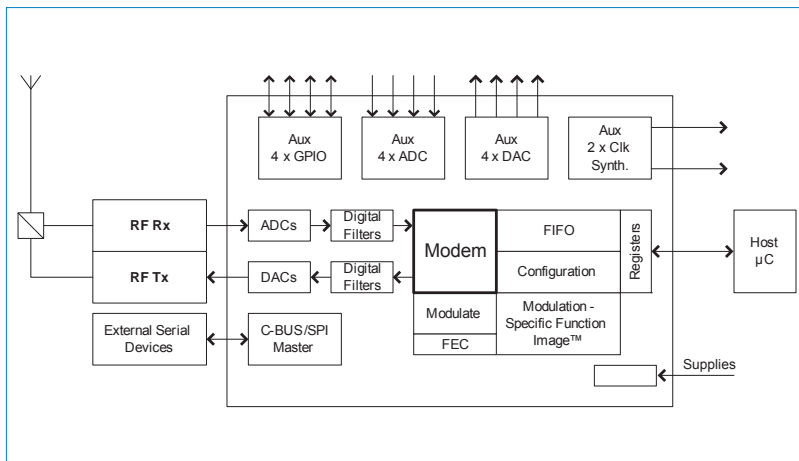
The 4FSK data is over-air compatible with the FX/MX919B and the CMX7143 (7143FI-2.x).

Supporting 4-, 16- and 64-QAM modulation, the 7164FI-4.x is RRC filtered with $\alpha = 0.2$ or 0.35, or a user programmable filter, and operates up to 96kbps in a 25kHz channel with channel estimation and equalisation to provide robust performance under realistic channel conditions. With zero IF (I/Q) transmit and receive interfaces, the 7164FI-4.x QAM data is over-air compatible with the CMX7163 (7163FI-4.x).

Both FIs offer: raw and 'packet' modes with selectable rate FEC modes, enabling user-defined packet structures to support a range of applications. RSSI/signal quality measurement is selectable, making a useful assessment of link conditions. High performance digital IF filters may be reconfigured, via host control, to support multiple channel spacings; a feature that eliminates the need to switch between multiple discrete IF filters.

The integrated analogue interface supports 'direct connection' to zero IF I/Q radio transceivers with few external components; no external codecs are required.

Intelligent auxiliary ADC, DAC and GPIO sub-systems perform interactive functions minimising host interaction and I/O resources. Two synthesised system clock outputs provide off-chip timing. The C-BUS/SPI interface expands host C-BUS/SPI ports to control external devices.



Packages

CMX7164L9	64-pin LQFP
CMX7164Q1	64-pin VQFN
Operating Temperature -40 to +85 °C	

Support

- PE0601 - 7164 EvKit
- PE0002 EvKit Interface Card



Brief CMX7164 Technical Basics

	min	typ	max	
Typical 2FSK/4FSK Supply Current (I) at 3.0 to 3.6 V				
Rx	-	20.2	-	mA
Tx	-	9.2	-	mA
Typical QAM Supply Current (I) at 3.0 to 3.6 V				
Rx	-	24.1 to 34.1	-	mA
Tx	-	11.1	-	mA
Idle (I)	-	550	-	μA
Powersaved (I)	-	1.0	-	μA

Narrowband Wireless Data Products

RF

CMX909B GMSK Packet-data Modem

GMSK Modem for High Performance Wireless Packet Data

Features

- GMSK Modulation
- Rx and Tx Modes up to 38.4kbps
- Full Data Packet Framing
- Full Mobitex Compatibility Including R14N Short-Block Frames
- Data Carrier Detect
- Checksum Generation and Checking
- Two-level Xtal Drive Circuit
- Flexible Operating Modes
- Host Processor Interface
- Pin and Function Compatible with FX909A
- Supply Requirement Range: 2.7 to 5.5 V

Applications

- Mobitex Base, Mobile and Portable Terminals
- Wireless Telemetry
- Licence-free Radio Data
- ISM-band Radio Schemes

The CMX909B is a CMOS product that contains all of the baseband signal processing and Medium Access Control (MAC) protocol functions required for a high performance GMSK wireless packet data modem. It interfaces with the modem host processor and the radio modulation/demodulation circuits to deliver reliable two-way transfer of the application data over the wireless link.

The CMX909B assembles application data received from the processor, adds an error correction code (FEC), adds an error detection code (CRC), time-spreads this data by interleaving (burst-error protection) and scrambles (randomises) the bit pattern. After adding bit and frame sync codewords, it converts the packet into analogue GMSK signals for modulating the radio transmitter.

In receive mode, the CMX909B performs the reverse function using the analogue signals from the receiver discriminator. After error correction and removal of the packet overhead, the recovered application data is supplied to the processor. Any residual uncorrected errors in the data will be flagged. A readout of the SNR value during receipt of a packet is also provided.

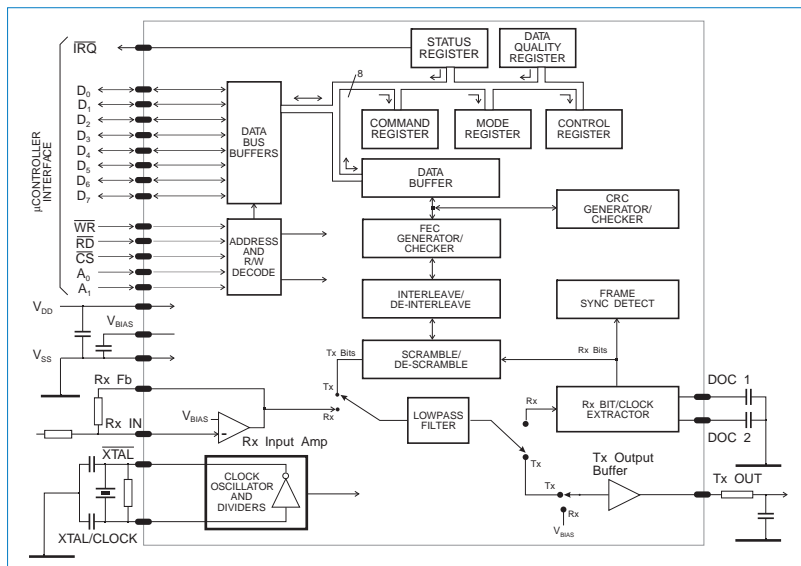
The CMX909B uses data block sizes and FEC/CRC algorithms compatible with the Mobitex Wide Area Network over-air standard. The format used is suitable for other private applications which require the high-speed transfer of data over narrowband wireless links.

The CMX909B is programmable to operate at most standard bit-rates from a wide choice of Xtal/clock frequencies; to facilitate a choice of Xtals, the Xtal drive circuit can be configured to two different drive levels.

Analogue Two-way Radio and Digital PMR/LMR

Wireless Data

Marine Safety and Comms



Packages	
CMX909BD5	24-pin SSOP
CMX909BE2	24-pin TSSOP
Operating Temperature -40 to +85 °C	

Brief CMX909B Technical Basics

	min	typ	max	
■ Typical Supply Current at 3.0 to 5.5 V Powersave	-	2.0	-	mA
■ Modulation	-	400	-	µA
■ Rx and Tx Data Rate Range		GMSK		
■ Rx Signal Input Level	0.7	1.0	1.3	V p-p
■ Tx Output Level	0.9	1.0	1.1	V p-p

Digital Voice

Custom

Embedded

Wireline Data and Telephony

Narrowband Wireless Data Products

FX919B 4FSK Packet-data Modem MX919B 4FSK Modem for High Performance Packet Data

Features

- 4FSK Modulation
- Half Duplex, 4.8 to 19.2 kbps Operation
- Full Data Packet Framing
- Flexible Operating Modes
- Host Processor Interface
- Supply Requirement Range: 3.0 to 5.5 V

Applications

- High-Speed Packet Data
- Wireless Bar-Code Readers
- Point-of-Sale Terminals
- Two-way Paging
- Digital Radio
- Wireless Telemetry

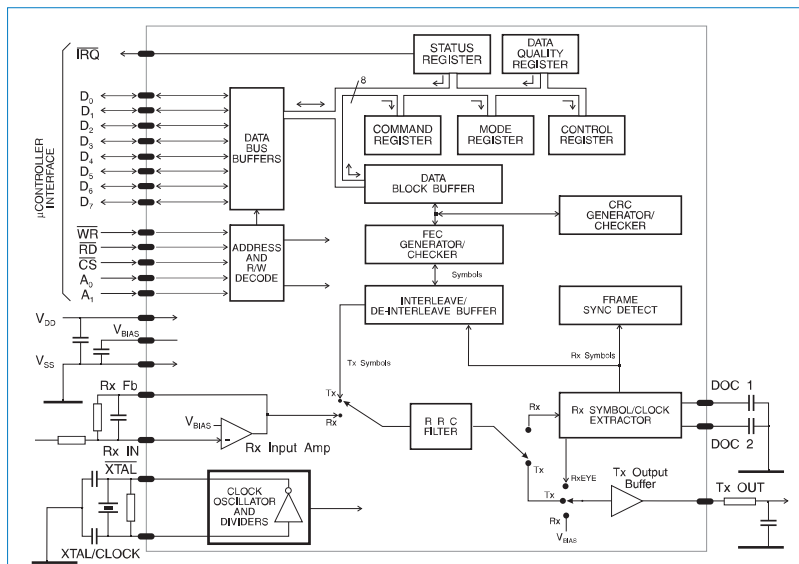
The FX/MX919B is a CMOS product that contains all of the baseband signal processing and Medium Access Control (MAC) protocol functions required for a high performance 4FSK wireless packet data modem. It interfaces with the modem host processor and the radio modulation/demodulation circuits to deliver reliable two-way transfer of the application data over the wireless link.

The FX/MX919B is backwards compatible with the FX/MX919A but offers selectable Tx symbol shapes and better performance during radio link fading.

The FX/MX919B assembles application data received from the processor, adds forward error correction (FEC) and error detection (CRC) information and interleaves the result for burst-error protection. After adding symbol and frame synchronisation codewords, it converts the packet into a filtered 4-level analogue baseband signal for modulating the radio transmitter.

In receive mode, the FX/MX919B performs the reverse function using the analogue baseband signals from the receiver discriminator. After error correction and removal of the packet overhead, the recovered application data is supplied to the processor. Any residual uncorrected errors in the data will be flagged. A readout of the SNR value during receipt of a packet is also provided.

The FX/MX919B uses data block sizes and FEC/CRC algorithms suitable for applications which require the high-speed transfer of data over narrow-band wireless links. The device is programmable to operate at most standard bit-rates from a wide choice of Xtal/Clock frequencies.



Packages

FX919BD2	24-pin SOIC
FX919BD5	24-pin SSOP
MX919BDS (D5)	24-pin SSOP
Operating Temperature -40 to +85 °C	

Brief FX/MX919B Technical Basics

	min	typ	max	
■ Typical Supply Current at 3.3V Powersave	-	2.5	-	mA
■ Modulation	-	600	-	µA
■ Rx and Tx Data Rate Range		4FSK		
■ Rx Signal Input Level	0.7	1.0	1.3	V p-p
■ Tx Output Level	0.8	1.0	1.2	V p-p

Narrowband Wireless Data Products

RF

FX929B 4FSK RD-LAP Packet-data Modem

Half-duplex 4FSK Packet-data

Features

- 4FSK Modulation
- Half Duplex, 4.8 to 19.2 kbps Operation
- Full Data Packet Framing
- RD-LAP Compatible
- Flexible Operating Modes
- Host Processor Interface
- S-DSM Controlled Systems
- Supply Requirement Range: 3.0 to 5.5 V

Applications

- RD-LAP Systems
- DataTAC Terminals
- RCR STD-47 Systems
- Mobile Data Systems
- Wireless Telemetry

The FX929B is a CMOS product that contains all of the baseband signal processing and Medium Access Control (MAC) protocol functions required for a high performance 4FSK wireless packet data modem. It interfaces with the modem host processor and the radio modulation/demodulation circuits to deliver reliable two-way transfer of the application data over the wireless link.

The FX929B is backwards compatible with the FX/MX929A but offers better performance during radio link fading, and selectable Tx symbol shapes. The FX929B assembles application data received from the processor, adds forward error correction (FEC) and error detection (CRC) information and interleaves the result for burst-error protection. After adding symbol and frame synchronisation codewords, it converts the packet into a filtered 4-level analogue baseband signal for modulating the radio transmitter.

In receive mode, the FX929B performs the reverse function using the analogue baseband signals from the receiver discriminator. After error correction and removal of the packet overhead, the recovered application data is supplied to the processor. Any residual uncorrected errors in the data will be flagged. A readout of the SNR value during receipt of a packet is also provided.

The FX929B uses data block sizes and FEC/CRC algorithms compatible with the RD-LAP over-air standard. The device is programmable to operate at most standard bit-rates from a wide choice of Xtal/Clock frequencies.

Analogue Two-way Radio and Digital PMR/LMR

Wireless Data

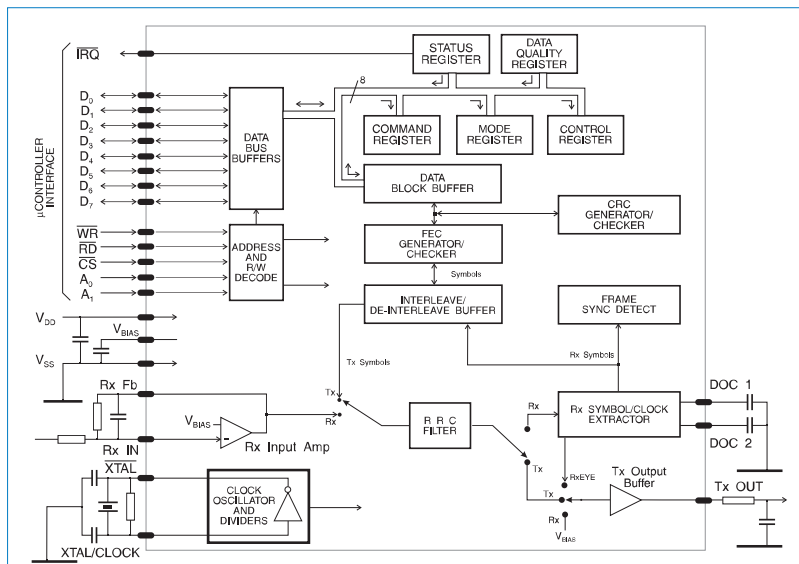
Marine Safety and Comms

Digital Voice

Custom

Embedded

Wireline Data and Telephony



Packages	
FX929BD5	24-pin SSOP
Operating Temperature -40 to +85 °C	

Brief FX929B Technical Basics

	min	typ	max	
■ Typical Supply Current at 3.3V Powersave	-	2.5	-	mA
■ Modulation	-	600	-	µA
■ Rx and Tx Data Rate Range		4FSK		
■ Rx Signal Input Level	0.7	1.0	1.3	V p-p
■ Transmitter Output Level	0.8	1.0	1.2	V p-p

Narrowband Wireless Data Products

CMX969 4FSK RD-LAP/MDC4800 Modem

4FSK (RD-LAP/DataTAC) and MDC4800 Packet-data Modem

Features

- DataTAC, Dual-Mode RD-LAP and MDC Systems
- Full Packet Data Framing
- **Supply Requirement Range: 2.7 to 5.5 V**

Applications

- Two-way Paging Equipment
- Mobile Data Systems
- Wireless Telemetry
- DataTAC Terminals

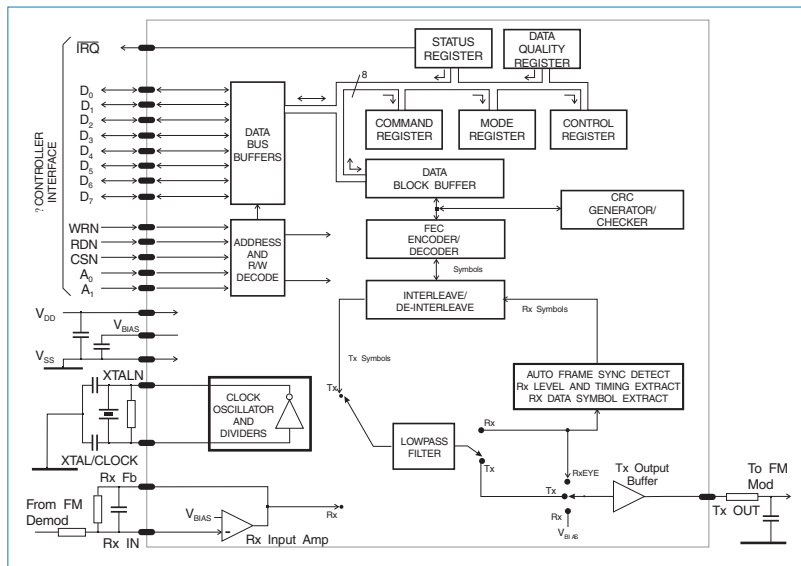
The CMX969 is a CMOS product that contains all of the baseband signal processing and Medium Access Control (MAC) protocol functions required for a high performance DataTAC dual mode (RD-LAP: 19200bps and MDC: 4800bps) FSK wireless packet data modem. It interfaces with the modem host processor and the radio modulation/demodulation circuits to deliver a reliable two-way transfer of the application data over the wireless link.

In transmit mode, the CMX969 assembles application data received from the processor, adds forward error correction (FEC) and error detection (CRC) information and interleaves the result for burst-error protection. After adding symbol and frame synchronisation codewords and channel status symbols, it converts the packet into a filtered 4-level analogue baseband signal for modulating the radio transmitter.

In receive mode, the CMX969 performs the reverse function using the analogue baseband signals from the receiver discriminator. After error correction and removal of the packet overhead, the recovered application data is supplied to the processor. Any residual uncorrected errors in the data will be flagged. A readout of the SNR value during receipt of a packet is also provided.

The CMX969 uses signal filtering, data block formats and FEC/CRC algorithms compatible with the MDC and RD-LAP over-air standards.

The device is programmable to operate at most standard bit-rates from a wide choice of Xtal/ clock frequencies.



Packages

CMX969D5 24-pin SSOP
Operating Temperature -40 to +85 °C

Brief CMX969 Technical Basics

	min	typ	max	
■ Typical Supply Current at 3.0V Powersave	-	2.5	-	mA
■ Rx and Tx Data Rate Range	-	800	-	µA
MDC	-	4,800	-	bps
RD-LAP	-	9,600 to 19,200	-	bps
■ Receiver				
Signal Input Level (MDC)	0.5	-	1.2	V p-p
Signal Input Level (RD-LAP)	1.0	-	2.5	V p-p
■ Transmitter				
Output Level (MDC)	0.71	0.89	1.07	V p-p
Output Level (RD-LAP)	1.6	2.0	2.4	V p-p

Narrowband Wireless Data Products

RF

Analogue Two-way Radio
and Digital PMR/LMR

Wireless
Data

Marine Safety
and Comms

Digital Voice

Custom

Embedded

Wireline
Data and Telephony

Marine Safety and Comms Products

NOTES

Analogue Two-way Radio
and Digital PMR/LMR

Wireless
Data

Marine Safety
and Comms

Digital Voice

Custom

Embedded

Wireline
Data and Telephony

Marine Safety and Comms Products

Marine AIS and VHF Products by Function

	FSK	GMSK	DSC Handling	AIS Baseband Processing	RF Synthesiser/s	ADC and DAC	Marine VHF	EvKit/s	Page No.
CMX7032 and CMX7042 AIS Baseband Processors (with RF Synthesisers)									
7032/7042FI-1.x AIS Baseband Processor	•	•	•	•	•	•		•	58
7032FI-2.x AIS Rx Only Data Processor with NMEA 0183-HS Output	•	•	•	•	•	•		•	
DE70321 CMX7032 (AIS) Development and Demonstration Kit		•						•	59
CMX885 Marine VHF and Signalling Processor						•	•	•	60
CMX910 Marine AIS Baseband Processor	•	•	•	•		•		•	61
Relevant Products in Other Sections									
FX/MX604 V.23 Compatible Modem	Wireline Data Products								82
CMX589A GMSK Modem	Narrowband Wireless Data Products								47

- available function

Comprehensive baseband processing and data functions for both Class A and Class B marine Automatic Identification System equipments.

Audio, signalling and data processing is available for marine VHF communications equipments.

The AIS system allows ships and base stations to communicate their position and other data to each other without the need for a centralised controller. This allows vessels to “see” each other and take the appropriate action to avoid collision and so improve marine safety. The system uses a GMSK 9600 baud data link in the marine VHF radio band.

RF

Analogue Two-way Radio
and Digital PMR/LMR

Wireless
Data

Marine Safety
and Comms

Digital Voice

Custom

Embedded

Wireline
Data and Telephony

Marine Safety and Comms Products

CMX7032 Automatic Identification System (AIS) CMX7042 Baseband Processors (with RF Synthesisers)

Comprehensive AIS Processing for Marine Safety Equipments

- Built on FirmASIC® Technology -

Features

- Half-duplex GMSK and FSK Modem
- AIS and DSC Data Formats
- Supports Carrier-sensing Channel Access (CSTDMA) Operation
- Configurable by Function Image™
- Optimum Co-channel Performance
- Flexible Signal Channels:
 - Two Simultaneous Rx
 - One Tx
- Two Flexible Integer-N Synthesisers (CMX7032)
- Two Synthesised Auxiliary System Clocks
- Limiter-discriminator Rx Interface
- Flexible Tx Interface: I and Q or Two-point Modulation
- Auxiliary ADC and DAC Functions:
 - Four x 10-bit DACs
 - Two x 10-bit ADCs
- Supply Requirement Range: 3.0 to 3.6 V

Applications

- Automatic Identification Systems (AIS)
- Class B AIS Transponders
- AIS Rx-only and Tx-only Modules
- AIS Search and Rescue Transponders (SART)
- Aids to Navigation (AtoN)

Each a highly integrated baseband signalling processor IC, the CMX7032 and CMX7042 fulfil the requirements of the Class B marine Automatic Identification System (AIS) transponder market.

The ICs are half duplex in operation, comprising two parallel limiter-discriminator Rx paths and I and Q or two-point modulation Tx paths; configurable for AIS or DSC operation. The devices perform signal modulation/demodulation with associated AIS functions, such as training sequence detection, NRZI conversion and HDLC processing (flags, bit stuffing/de-stuffing, CRC generate/check). Integrated Rx/Tx data buffers are also provided. All of this greatly reduces the processing requirements of the host µC.

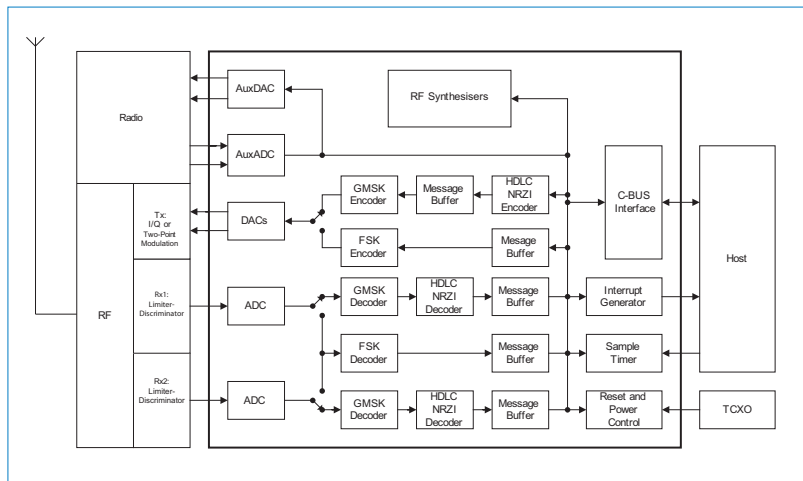
The provision of a number of auxiliary ADCs and DACs further simplifies the system hardware design, reducing the overall equipment cost and size. In addition, both ICs offer auxiliary system clocks and the CMX7032 features, on-chip, two flexible Integer-N synthesisers.

The devices utilise CML's proprietary FirmASIC® component technology. On-chip sub-systems are configured by a Function Image™: this is a data file that is uploaded during device initialisation and that defines the device's function and feature set. The Function Image™ can be loaded automatically from an external EEPROM or from a host µController over the built-in C-BUS serial interface. The device's functions and features can be enhanced by subsequent Function Image™ releases, facilitating in-the-field upgrades.

Function Images currently available:

7032/7042FI-1.x	AIS Baseband Processor
7032FI-2.x	AIS Rx-only Data Processor with NMEA 0183-HS Output

In addition there is available, the DE70321: a complete AIS Class B (IEC 62287) technology demonstrator aimed at speeding manufacturers' design and development of AIS Class B transponders and AIS receiver products using the CMX7032 AIS Class B Baseband Processor with on-chip RF synthesiser IC.

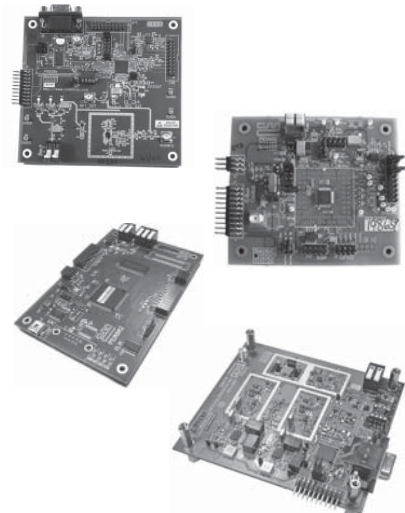


Packages

CMX7032L9	64-pin LQFP
CMX7032Q1	64-pin VQFN
CMX7042L4	48-pin LQFP
CMX7042Q3	48-pin VQFN
Operating Temperature -40 to +85 °C	

Support

- PE0201 EvKit
- PE0402 EvKit
- PE0002 EvKit Interface Card
- DE70321 - this product is available as an AIS Class B (IEC 62287) technology demonstrator



Brief CMX7032/CMX7042 Technical Basics

	min	typ	max	
■ Typical Supply Current (D/A) at 3.3V Rx or Tx	-	14.4/5.8	-	mA
■ Powersave (D/A)	-	8/4	100/20	µA
■ Modulation Types	GMSK and FSK			
■ Operational Mode	Half-duplex			
■ Input Signal Gain Range	0 to 22.4			dB
■ Modulator Output Attenuation Range	0 to 40			dB
■ Aux DACs - Resolution	10			bits
■ Aux ADCs - Resolution	10			bits

Marine Safety and Comms Products

DE70321 AIS Development and Demonstration Kit

- Built on FirmASIC® Technology -

Features

- Class B AIS Transceiver Technology Demonstration
- Designed to Meet IEC 62287
- 2 Watt Tx Operation
- Dual Channel Rx-only Operation
- Dual, Independent GMSK Receivers
- C-BUS Serial Control/Data Interface to Host µC
- 19.2MHz Reference for 9600bps Data Rate
- On-board EEPROM
- RS232 NMEA 0183 Interface for Host-less Operation

Applications

- AIS Demonstration and Development
- Class B AIS Transponders
- AIS Rx-only Monitors
- Aids to Navigation (AtoN)
- AIS Search and Rescue Transponders (SART)

The DE70321 is a complete AIS Class B (IEC 62287) technology demonstrator aimed at speeding manufacturers' design and development of AIS Class B transponders and AIS receiver products using the CMX7032 AIS Class B baseband processor with on-chip RF synthesiser IC.

The design is a flexible platform to allow users to configure and evaluate with two build options:

- Class B Transceiver (using 7032/7042FI-1.x)
- Dual Channel Rx-only (using 7032FI-2.x)

The default board configuration is for dual channel receive on 161.975MHz (AIS channel 1) and 162.025MHz (AIS channel 2) with 25kHz channel spacing and 9600bps over-air data rate. An EEPROM is included which can automatically load the Function Image™ into the CMX7032 at power-up.

Received data is automatically provided as NMEA 0183-HS sentences at 38,400bps from the DB9 RS232 port.

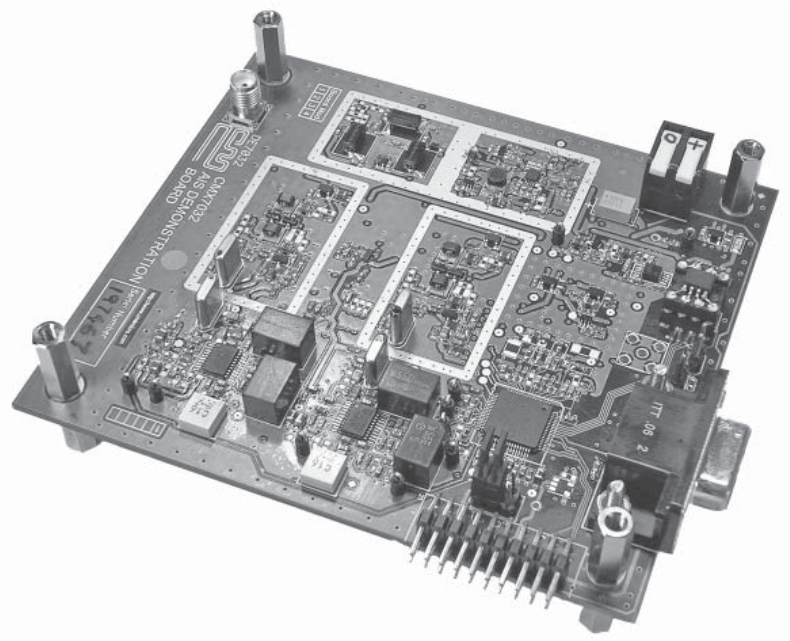
Function Image™ 7032FI-1.x allows full host control over all CMX7032 functions whereas Function Image™ 7032FI-2.x automatically programs the CMX7032 RF synthesisers to the correct frequencies.

All necessary RF circuits, such as VCOs, a two watt PA, harmonic filter, antenna switching and LNA, are provided on the DE70321 to facilitate easy evaluation and demonstration of the design as a Class B unit.

A C-BUS interface is provided for control of the CMX7032 by a host microcontroller (required to perform the higher level protocol functions on a Class B implementation).

Further Design Support

There is available, on the CML (website) Technical Portal, a library of files (Schematics, Bill of Materials and Gerber files) that will further assist in the progress of the design-in process. Please note that you need to be authorised to enter the CML Technical Portal. Please contact your CML Distributor for further information.



RF

Analogue Two-way Radio
and Digital PMR/LMR

Wireless
Data

Marine Safety
and Comms

Digital Voice

Custom

Embedded

Wireline
Data and Telephony

RF

Marine Safety and Comms Products

Analogue Two-Way Radio
and Digital PMR/LMR

CMX7045 Marine AIS-SART Processor IC

Wireless
Data

Marine Safety
and Comms

Digital Voice

Custom

Embedded

Wireline
Data and Telephony

Marine Safety and Comms Products

CMX885 Marine VHF Audio and Signalling Processor

Audio, Signalling and Data Processing

Features

- Concurrent Audio, Signalling and Data
- Complete Audio-band Processing:
 - Selectable Audio Processing Order
 - Pre and De-emphasis and Limiter
 - Selectable 2.55/3.0 kHz Filtering
- DSC/ATIS Modem for Marine Comms
- Programmable Voice Scrambler
- Inband Signalling: DTMF, NOAA NWR
- C-BUS Serial Interface to Host μ Controller
- DTMF and Audio Tone Codec
- Dual Auxiliary ADC, Four Multiplexed Inputs and Four Auxiliary DACs
- Dual Programmable System Clock Outputs
- Tx Outputs for Single and Two-point Modulation
- Three Analogue Inputs (Mic or Discriminator)
- Digital Gain Adjustment
- Default 3.6864MHz Xtal/Clock
- Flexible Powersave Modes
- [Supply Requirement Range: 3.0 to 3.6 V](#)

The CMX885 is a half-duplex, audio, signalling and data processing IC for use in Marine VHF radio systems or generally in two-way mobile radio systems.

Comprehensive audio processing facilities include complete audio processing, filtering, pre- or de-emphasis and frequency inversion scrambling.

Signal routing and filtering is included to assist host μ C based signal encoding/decoding applications.

1200bps FSK Digital Selcall (DSC) and an Automatic Transmitter Identification System (ATIS) modem with protocol support and NWR (SAME and WAT) decoding are supported.

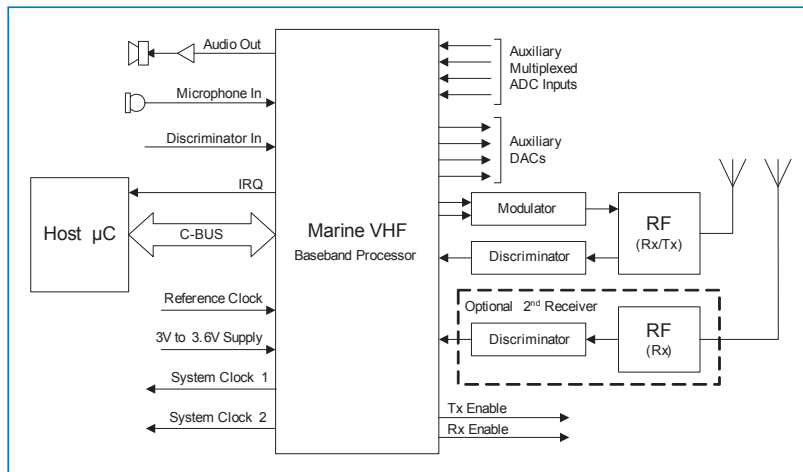
A DTMF encoder/decoder, a full complement of auxiliary ADCs and DACs and dual synthesised clock outputs are included in this low power PMR processor.

Flexibility in the selection of signal paths and signal processing and routing allows for different processing blocks to act upon different analogue inputs.

A flexible power control facility allows the device to be dynamically placed in its optimum operating and powersaving modes.

Applications

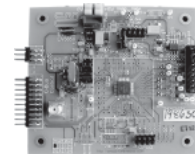
- Marine VHF Systems



Packages	
CMX885L4	48-pin LQFP
CMX885Q3	48-pin VQFN
Operating Temperature -40 to +85 °C	

Support

- EV8850 EvKit



Brief CMX885 Technical Basics

	min	typ	max	
■ Supply Current (DV_{DD} and $AV_{DD} = 3.3V$)				
Rx Mode				
DI_{DD}	-	5.0	-	mA
AI_{DD}	-	3.2	-	mA
Tx Mode				
DI_{DD}	-	5.75	-	mA
AI_{DD}	-	3.2	-	mA
Powersave				
DI_{DD}	-	8.0	100	μ A
AI_{DD}	-	4.0	20.0	μ A
■ Analogue Channel Audio Passband				
Rx Audio		300 to 3300		Hz
12.5kHz Channel Tx Audio		300 to 2550		Hz
25kHz Channel Tx Audio		300 to 3000		Hz

CMX910 Marine AIS Baseband Processor

for Class A and Class B Marine Automatic Identification Systems

Features

- Half-duplex GM(F)SK, FSK and DSC Capabilities
- Slot/Sample Counter with UTC Timing Interface
- Optimum Co-channel and Adjacent-channel Performance
- Flexible Signal Channels
 - Two Simultaneous Rx
 - One Tx
 - Optional FSK Interface
- AIS Formatted and Raw Data Modes
- Supports Carrier-sensing Channel Access (CSTDMA) Operation
- RF Device-enable Facilities
- C-BUS Serial Interface with Expansion Port
- I and Q Radio Interface
- Auxiliary ADC and DAC Functions
- Supply Requirement Range: 3.0 to 3.6 V

A highly integrated baseband signalling processor IC, the CMX910 fulfils the requirements of the class A and class B marine Automatic Identification System (AIS) transponder market.

The CMX910 is half duplex in operation, comprising two parallel I and Q Rx paths and one Tx path. These are configurable for AIS or DSC operation.

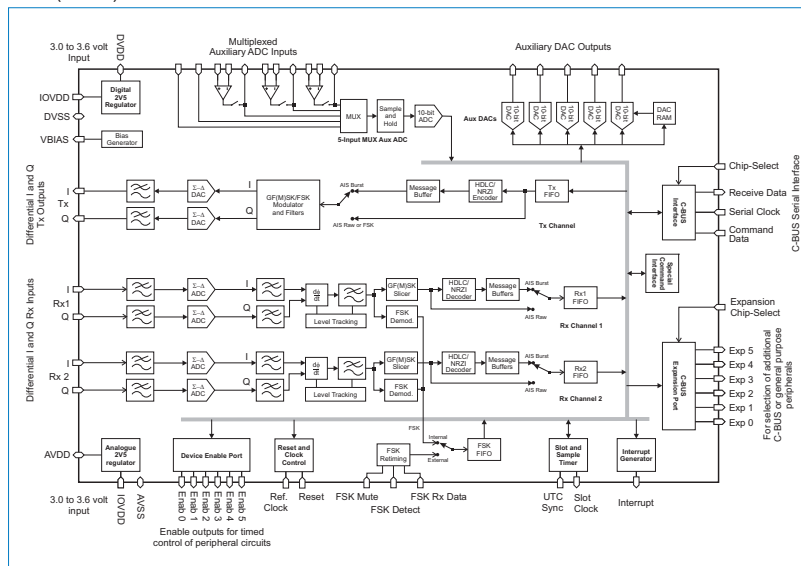
The device performs channel filtering and signal modulation/demodulation with associated AIS functions, such as training sequence detection, NRZI conversion and HDLC processing (flags, bit stuffing/de-stuffing, CRC generation/checking).

An external 1200bps FSK demodulator interface provides a third parallel decode path for DSC, as required by the Class A market. Integrated Rx/Tx data buffers and a flexible slot/sample timer are also provided, all of which greatly reduce the processing requirements of the host μ C.

Provision of a C-BUS expansion port, an RF device-enable port and a number of auxiliary ADCs and DACs further simplifies the overall system hardware design, reducing the final equipment cost and size.

Applications

- Automatic Identification System (AIS) for Marine Safety
- Class A or Class B AIS Transponders
- AIS Rx-only Modules
- Aids to Navigation (AtoN)
- AIS Search and Rescue Transponders (SART)



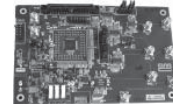
Packages

CMX910L9	64-pin LQFP
CMX910Q1	64-pin VQFN

Operating Temperature -40 to +85 °C

Support

- EV9100 EvKit



Brief CMX910 Technical Basics

	min	typ	max	
Fully Operational Supply Current at 3.0 to 3.6 V	-	35.0	60.0	mA
Powersave	-	20.0	100	μ A
AIS Modulation		GFSK		
12.5kHz Channel (9600bps)				
BT (Tx)		0.3		
25kHz Channel (9600bps)				
AIS Modulation		GMSK		
BT (Tx)		0.4		
DSC (1200bps)				
Modulation		FSK		
ADC Resolution		16.0		bits
DAC Resolution		14.0		bits

Digital Voice Products

NOTES

RF

Analogue Two-way Radio
and Digital PMR/LMR

Wireless
Data

Marine Safety
and Comms

Digital Voice

Custom

Embedded

Wireline
Data and Telephony

DuraTALK® Digital Voice Products by Function

	RALCWI™ Vocoder	ADM	CVSD	PCM	G.711	G.729A	Audio Codec	EvKit/s	Page No
CMX608 Half-duplex Low Bit-rate RALCWI™ Vocoder	•							•	
CMX618 Half-duplex Low Bit-rate RALCWI™ Vocoder with Integral Audio Codec	•						•	•	65
CMX638 Full-duplex RALCWI™ Vocoder with Integral Audio Codec	•						•	•	
FX619 'Eurocom' Delta Codec			•						66
MX629 'Military' Delta Modulation Codec			•						67
CMX639 CVSD Voice Codec			•						68
CMX649 Adaptive Delta Modulation Voice Codec		•	•	•				•	69
CMX7261 Voice Multi-transcoder <i>(Advance Information)</i>			•	•	•	•		•	70

- available function

Digitally-coded voice processing products employing RALCWI™ **CML's Digital Voice Technology**, Continuously Variable Slope Delta Modulation (CVSD), Pulse Coded Modulation (PCM) and Adaptive Delta Modulation (ADM) voice-data schemes.

- DuraTALK® is a registered Trademark of CML Microsystems Plc
- RALCWI™ is a trademark of CML Microsystems Plc

Digital Voice Products



The CML *DuraTALK*[®] family of digital voice products comprises a wide range of flexible technologies supporting voice-data generation, coding, decoding and transcoding functions for digital communication systems and the many other in-band applications where there is a need for voice-audio transfer, storage, playback and manipulation.

Under the *DuraTALK*[®] umbrella, the family currently consists of the following technologies:

- **RALCWI™:** CML's Digital Voice Technology
- **Transcoding:** Analogue-to-digital/digital-to-analogue; on-chip conversion of data formats
- **CVSD and ADM:** Flexible voice coders and decoders for analogue-to-digital and digital-to-analogue voiceband conversion.

Flexible, full and half duplex, highly integrated RALCWI™ vocoders and CVSD codecs are suited to such wireless and wireline voice applications as voice-band scramblers, alarm systems, military field applications and digital professional and leisure two-way radios.

RALCWI™, CML's *Digital Voice Technology*, is a low bit rate vocoder technology that facilitates the transmission and reception of highly compressed voice over inherently noisy narrowband radio channels.

In this area, RALCWI™ is positioned to address the high quantity/low cost, digital PMR/LMR markets. RALCWI™ based ICs provide near-toll-quality voice performance at very low bit rates.

RALCWI™ is a trademark of CML Microsystems Plc. CML owns the exclusive rights to the RALCWI™ low bit-rate vocoder products.

Transcoding devices are capable of converting analogue voice frequencies into one of several data formats and/or the reverse. CML's transcoder ICs facilitate the conversion from one data format to another and/or to/from an analogue format.



CVSD and ADM: Continuously Variable Slope Delta modulation and Adaptive Delta Modulation devices offer full duplex coder/decoders (codecs) for use in consumer and commercial digital voice communication systems. These completely integrated codecs, with unique compand algorithms, simplify design and eliminate the costs, complexity and risk of external filters and software algorithms. Sampling clock rates are variable and support both external clock signals or internally generated, programmable clocks.

RF

Analogue Two-way Radio and Digital PMR/LMR

Wireless Data

Marine Safety and Comms

Digital Voice

Custom

Embedded

Wireline Data and Telephony

CMX608 Low Bit-rate RALCWI™ Vcoders

CMX618 *CML's Digital Voice Technology*

CMX638

Features

- Near Toll Quality RALCWI™ Coding Algorithm
- Multiple Bit Rates:
 - 2050, 2400 and 2750 bps
 - 3600bps with FEC
- Four-bit Viterbi Soft Decision Decoding
- Integrated Audio Codec (**CMX618 and CMX638**)
- Integrated Input and Output Channel Filters
- Varying Packet Lengths:
 - 20, 40, 60 and 80 ms
- Ancillary Audio Functions:
 - Voice Activity Detector
 - Comfort Noise Generator
 - DTMF and Single Tone Regeneration
- Voice Store and Retrieve, Encryption and Noise Gate Function Add-ins Available
- **Supply Requirement Range: 3.0 to 3.6 V**

Applications

- Digital Radio:
 - PMR/LMR and Trunked
 - DMR-TDMA and dPMR®-FDMA
- Voice Storage, Security and Playback
- Voice-over-IP (VoIP)
- Regenerative Digital Voice Systems
- Voice Scrambling and Encryption

The CMX608, CMX618 and CMX638 are flexible, high integration, high performance RALCWI™ vocoders, offering near toll-quality voice at very low bit rates. A Forward Error Correction (FEC) engine provides optimum performance in real life applications. The RALCWI™ Vocoder comprises four independent functions which are controlled by the host: voice encoder, FEC encoder, voice decoder and FEC decoder. In addition, the CMX618 and the CMX638 each include an integrated voice codec, offering a complete analogue voice to low-bit-rate vocoded data function, with integrated channel filters removing the need for external components.

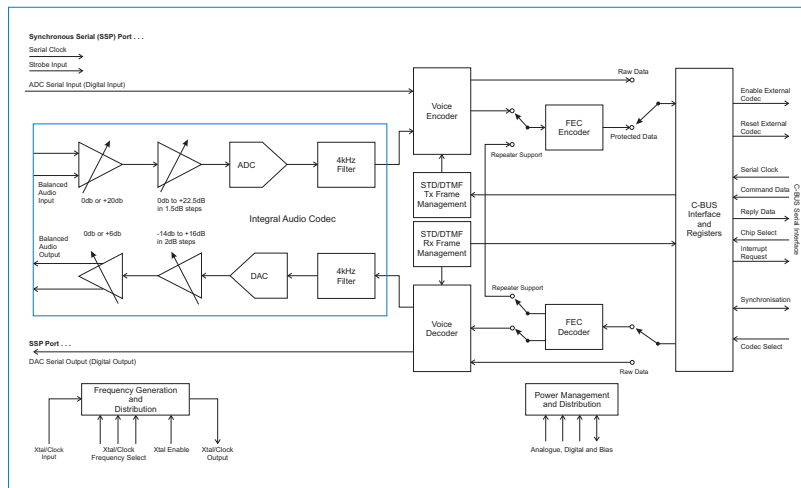
In encode mode, the voice encoder uses a 20ms voice frame size with 3 programmable bit rates: 2050bps, 2400bps or 2750bps. The optional FEC encoder performs channel coding of the encoded voice (2050bps, 2400bps or 2750bps, depending on the selected mode) and forms an encoded, interleaved bit-stream of 3600bps (216 bits per 60ms packet or 288 bits per 80ms packet). The FEC operation utilises a packet of either 3 or 4 x 20ms vocoder frames to provide optimum error correction performance.

In decode mode, the optional FEC decoder performs de-interleaving and channel decoding of the coded bit-stream (216 bits per 60ms packet or 288 bits per 80ms packet) and forms an error-corrected bit-stream of encoded voice at 2050bps, 2400bps or 2750bps rate, depending on the selected mode. The FEC decoder can optionally use 'soft decision' metrics to improve its decoding ability. The voice decoder then converts the error-corrected bit-stream back into a digitised voice signal.

Soft Decision Decoding (SDD), Discontinuous Transmission detection (DTX), Voice Activity Detection (VAD) and Comfort Noise Generation (CNG) functions are also included to further enhance the overall performance. Single (STD) and Dual (DTMF) tones can be detected and sent separately in the coded bit-stream, then regenerated at the far (receiving) end.

- **CMX608** Half-duplex Low Bit-rate RALCWI™ Vocoder
- **CMX618** Half-duplex Low Bit-rate RALCWI™ Vocoder with Integrated Audio Codec
- **CMX638** Full-duplex Low Bit-rate RALCWI™ Vocoder with Integrated Audio Codec

RALCWI™, a trademark of CML Microsystems Plc. is CML's Digital Voice Technology.



Brief Vocoder Technical Basics

	min	typ	max	
■ Typical Supply Current at 3.0 to 3.6 V Powersave	-	33.0	-	mA
	-	50.0	-	µA
■ Vocoder Performance				
Sample Rate	-	8.0	-	ks/s
Data Rate (with FEC)	-	3600	-	bps
Data Rate (without FEC)	2050	-	2750	bps
Lower Frequency Limit	60.0	-	-	Hz
Upper Frequency Limit	-	-	3900	Hz

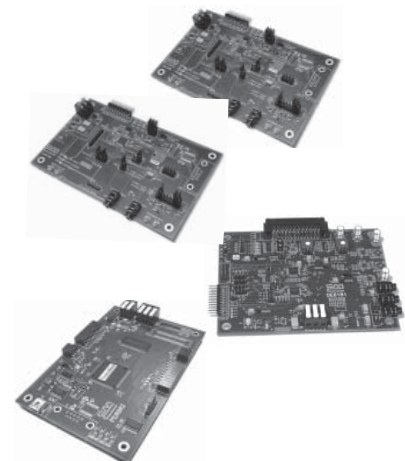
Packages

CMX608L4	48-pin LQFP
CMX608Q3	48-pin VQFN
CMX618L4	48-pin LQFP
CMX618Q3	48-pin VQFN
CMX638L4	48-pin LQFP
CMX638Q3	48-pin VQFN

Operating Temperature -40 to +85 °C

Support

- EV6180 EvKit
- EV6380 EvKit
- DE6181 - available as a demonstrator of the CMX608 or CMX618 with the CMX7141
- PE0002 EvKit Interface Card



Digital Voice Products

RF

FX619 'Eurocom' Delta Codec

Continuously Variable Slope Delta Modulation

Features

- Single Chip Full-duplex CVSD Codec
- On-chip Input and Output Filters
- Programmable Sampling Clocks
- 3 or 4 bit Compand Algorithm
- Force-idle and Powersave Facilities
- Fully Meets 'Eurocom D1-IA8'
- Separate Rx and Tx Paths
- Simple Control
- Supply Requirement Range: 4.5 to 5.5 V

Applications

- Military Communications:
 - Field Exchange and Telephone
- Delta Multiplex, Switch and Telephone

The FX619 is an LSI circuit designed as a Continuously Variable Slope Delta (CVSD) codec, and is intended for use in military communications systems.

Designed to meet Eurocom D1-IA8 with external components, the device is suitable for applications in military delta multiplexers, switches and 'phones.

Encode input and decode output filters are incorporated on-chip. Sampling clock rates can be programmed to 16, 32 or 64 kbps from an internal clock generator or may be externally applied in the range 8 to 64 kbps. Sampling clock frequencies are output for the synchronisation of external circuits.

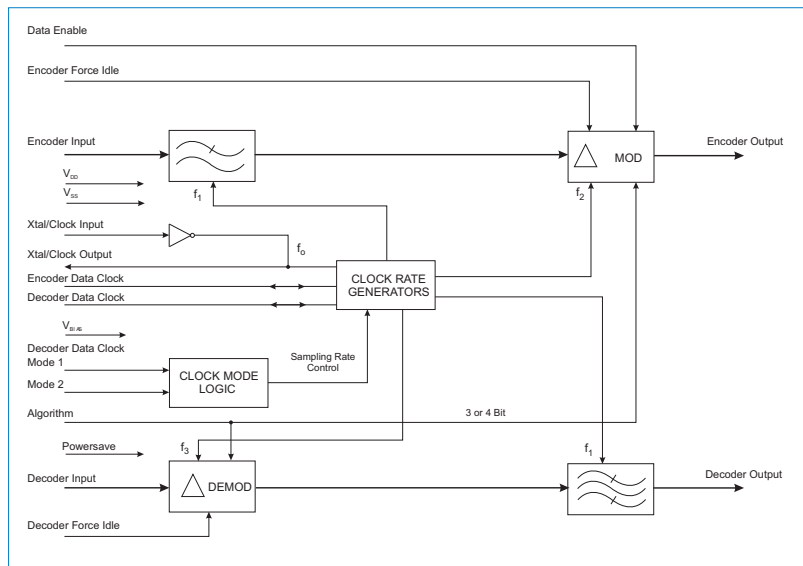
The encoder has an enable function for use in multiplexer applications. Encoder and decoder forced idle facilities are provided forcing a 10101010..... pattern in encode and a $V_{DD}/2$ bias in decode. The companding circuits may be operated with a 3- or 4-bit algorithm which is externally selected.

The device may be put in the standby mode by selection of the powersave facility. A reference 1.024MHz oscillator uses an external clock or Xtal.

Analogue Two-way Radio and Digital PMR/LMR

Wireless Data

Marine Safety and Comms



Packages		
FX619J	(J3)	22-pin cerdip DIL
FX619L1		24-pin PLCC
FX619L2		24-pin PLCC
FX619M1		28-pin ceramic CLCC
Operating Temperature -40 to +85 °C		

Digital Voice

Custom

Embedded

Brief FX619 Technical Basics

	min	typ	max	
■ Typical Supply Current at 5.0V Powersave	-	4.5	-	mA
■ Encoder	-	1.0	-	mA
■ Analogue Signal Input Levels	-35.0	-	6.0	dBm0
■ Passband	-	3400	-	Hz
■ Decoder	-	-	-	-
■ Analogue Signal Output Levels	-35.0	-	6.0	dBm0
■ Passband		300 to 3400		Hz
■ Encoder - Decoder (full codec)				
■ Passband		300 to 3400		Hz
■ Stopband		6 to 10		kHz

Please note that the FX619J and FX619M1 packages undergo additional process and test controls - [contact CML for more information.](#)

Wireline Data and Telephony

MX629 'Military' Delta Modulation Codec

Continuously Variable Slope Delta Modulation

Features

- Single Chip Full Duplex CVSD Codec
- On-chip Input and Output Filters
- Separate Rx and Tx Paths
- Programmable Sampling Clocks
- 3- or 4-bit Compand Algorithm
- Force-Idle and Powersave Facilities
- Fully Meets 'Mil-Std-188-113'
- Simple Control
- **Supply Requirement Range:**
4.5 to 5.5 V

Applications

- Military Communications:
 - Field Exchange and Telephone Systems
- Delta Multiplex, Switch and Telephone

The MX629 is an LSI circuit designed as a Continuously Variable Slope Delta (CVSD) codec and is intended for use in military communications systems.

Designed to meet Mil-Std-188-113 with external components, the device is suitable for applications in military delta multiplexers, switches and 'phones.

Encode input and decode output filters are incorporated on-chip. Sampling clock rates can be programmed to 16, 32 or 64 kbps from an internal clock generator or may be externally applied in the range 8 to 64 kbps.

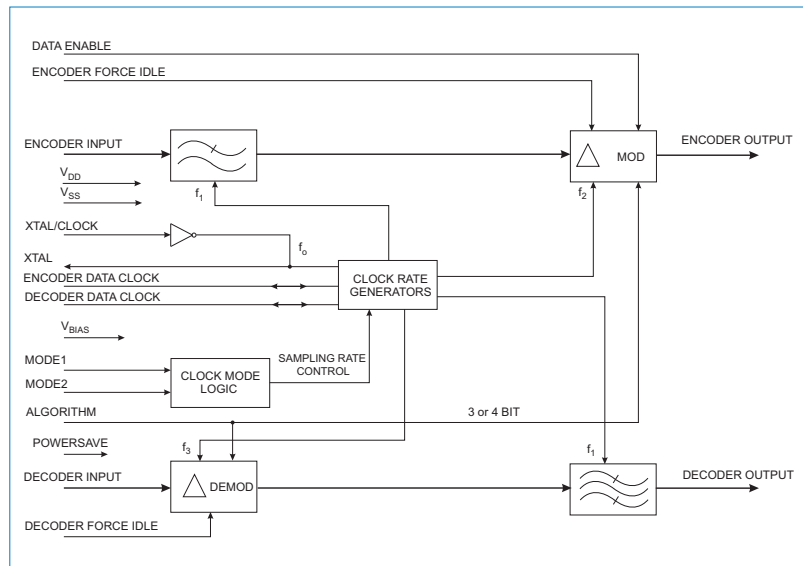
Sampling clock frequencies are output for the synchronisation of external circuits.

The encoder has an enable function for use in multiplexer applications. Encoder and decoder forced idle facilities are provided, forcing a 10101010..... pattern in encode and a $V_{DD}/2$ bias in decode.

The companding circuits may be operated with a pin-selected 3- or 4-bit algorithm.

The powersave facility puts the device into the standby mode thereby reducing current consumption when not operating.

A reference 1.024MHz oscillator uses an external clock pulse or Xtal input.



Packages

MX629J	(J3)	22-pin cerdip DIL
MX629LH	(L1)	24-pin PLCC
Operating Temperature -40 to +85 °C		

Brief MX629 Technical Basics

	min	typ	max	
■ Typical Supply Current at 5.0V Powersave	-	5.5	-	mA
■ Encoder	-	400	-	µA
■ Encoder	-35.0	-	12.0	dBm0
Analogue Signal Input Levels	-	3400	-	Hz
■ Decoder	-35.0	-	12.0	dBm0
Analogue Signal Output Levels	-	300 to 3400	-	Hz
■ Encoder - Decoder (full codec)	-	300 to 3400	-	Hz
Passband	4.2	-	-	kHz
Stopband	-	-	-	-

Please note that MX629J packages undergo additional process and test controls - [contact CML for more information](#).

Digital Voice Products

RF

CMX639 CVSD Voice Codec

Continuously Variable Slope Delta Modulation

Features

- Single Chip Full Duplex CVSD Codec
- On-chip Input and Output Filters
- Programmable Sampling Clocks
- 3- or 4-bit Compand Algorithm
- Robust Coding for Wireless Links
- Encode and Decoder Forced Idle
- Separate Rx and Tx Paths
- Simple Control
- Supply Requirement Range: 2.7 to 5.5 V

The CMX639 is an LSI circuit designed as a Continuously Variable Slope Delta (CVSD) codec intended for use in two-way radio communications systems.

Encode input and decode output filters are incorporated on-chip. Sampling clock rates can be programmed to 16, 32 or 64 kbps from an internal clock generator or may be externally applied in the range 8 to 64 kbps.

Sampling clock frequencies are output for the synchronisation of external circuits.

The encoder has an enable function for use in multiplexer applications. Encoder and decoder forced idle facilities are provided, forcing a 10101010..... pattern in encode and a $V_{DD}/2$ bias in decode.

The companding circuits may be operated with a pin-selected 3- or 4-bit algorithm.

The powersave facility puts the device into the standby mode thereby reducing current consumption when not operating.

An on-chip reference 1.024MHz oscillator uses an external clock pulse or Xtal input.

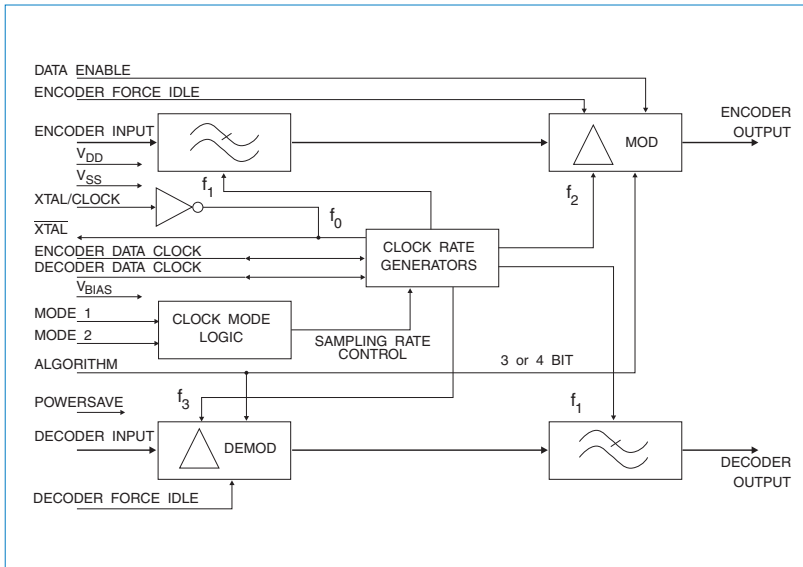
Applications

- Consumer and Business Handheld Comms Equipment
- Digital Voice Systems
- Spread Spectrum Wireless
- Cordless Telephones
- Voice Recording and Storage
- Delay Lines
- Time Domain Scramblers
- Multiplexers and Switches

Analogue Two-way Radio and Digital PMR/LMR

Wireless Data

Marine Safety and Comms



Packages	
CMX639D4	16-pin SOIC
CMX639E2	24-pin TSSOP
Operating Temperature -40 to +85 °C	

Digital Voice

Custom

Embedded

Brief CMX639 Technical Basics

	min	typ	max	
Typical Supply Current at 3.0 to 5.5 V Powersave	-	1.9	-	mA
Analogue Signal Input Levels	-37.0	-	6.0	dB
Encoder Passband	-	3240	-	Hz
Analogue Signal Output Levels	-37.0	-	6.0	dB
Decoder Passband	-	3200	-	Hz
Full Codec Passband	-	300 to 3400	-	Hz
Stopband	-	6 to 10	-	kHz
Stopband Attenuation	-	60.0	-	dB

Wireline Data and Telephony

Digital Voice Products

CMX649 Adaptive Delta Modulation (ADM) Voice Codec

Full Duplex ADM, CVSD and PCM for Cordless Applications

Features

- Multiple Codec Modes: 16 to 128 kbps
 - ADM and CVSD, PCM: A-Law, μ -Law and Linear
- Programmable Time Constants for ADM Codec
- Dual Channel Transcoder/Decoder Functions
- On-chip Programmable Anti-alias and Anti-image Filters
- Programmable Analogue Inputs and Outputs
- Data Clock Recovery
- Programmable Digital Scrambling and Voice Activity Detector (VAD)
- Flexible Data Interfaces:
 - 8 and 16 bit Burst Data + Sync Strobe
 - 1 bit Serial Data with Clock
 - Host Serial Control and Data
- Supply Requirement Range: 2.7 to 5.5 V

Applications

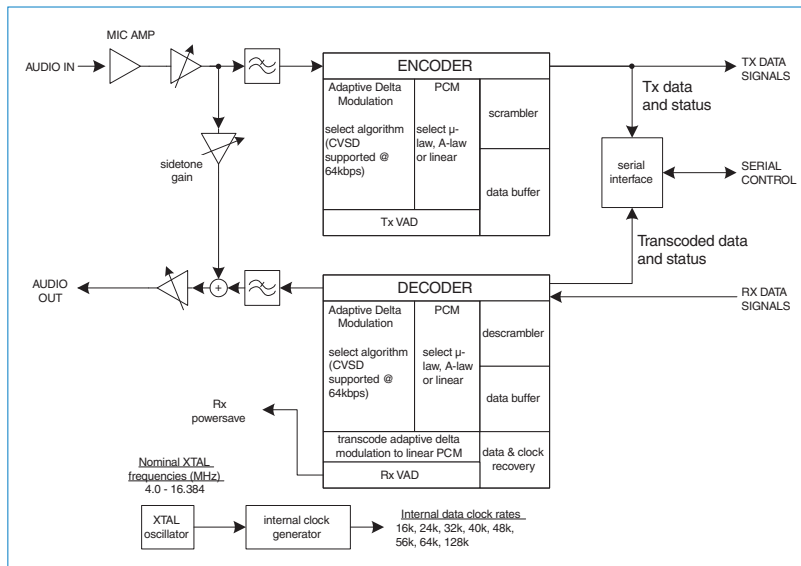
- Digital Headsets and Telephones
- Personal Area Networks (PAN)
- Wireless Digital PBXs
- Digital Radio Systems
- Time-Division Duplex (TDD) Systems
- Voice Storage and Voice Delay

The CMX649 Adaptive Delta Modulation (ADM) voice codec provides full duplex ADM, μ -law, A-law, and linear PCM codec and transcoder functions for cost effective, low power, wireless voice applications.

Selectable operating modes and algorithms support many applications. Robust ADM coding (CVSD) reduces host protocol and software burdens, eliminating forward error correction, framing protocols and algorithm processing. The dual transcode/decode mode supports multi-channel applications.

Integrated audio filter responses adjust independently from the codec's 16 to 128 kbps data rates. Codec sample clocks are externally applied or internally generated.

High performance analogue interfaces and sidetone include digital gain controls. Encoder and decoder voice activity detectors (VAD) support powersaving.



Packages

CMX649D3	20-pin SOIC
CMX649E3	20-pin TSSOP
Operating Temperature -40 to +85 °C	

Support

- DE6491 DemoKit



Brief CMX649 Technical Basics

	min	typ	max	
■ Typical Supply Current at 2.7 to 5.5 V Powersave	-	2.4	2.9	mA
■ Encoder Analogue Signal Input Levels	-37.0	-	20.0	μ A
■ Decoder Analogue Signal Output Levels	-37.0	-	40.0	dB
■ Encoder/Decoder (Full Codec) Passband	(programmable)			
■ Lowest Corner Frequency	-	2900	-	Hz
■ Highest Corner Frequency	-	1400	-	Hz
■ Encoder/Decoder (Full Codec) Stopband	(programmable)			
■ Lowest Corner Frequency	-	6.0	-	kHz
■ Highest Corner Frequency	-	24.0	-	kHz

Digital Voice Products

RF

CMX7261 Voice Multi-transcoder

Voice, PCM, CVSD, G.711 and G.729A Coding, Transcoding and Decoding - Built on FirmASIC® Technology -

Features

- Multiple Codec Support:
 - PCM (Linear, μ -Law and A-Law)
 - CVSD and G.729A
- Multiple Transcoding Support:
 - PCM to CVSD (and reverse)
 - PCM to G.729A (and reverse)
 - CVSD to G.729A (and reverse)
 - PCM μ /A/Linear to PCM μ /A/Linear
- No External DSP or Codecs Required
- Transcoding Routing:
 - Choice of Input Sources
 - Choice of Output Sources
 - Voice Activity Detection
- Supply Requirement Range: 3.0 to 3.6 V

The CMX7261 Multi-transcoder IC is a device supporting multiple speech codecs in a single chip.

The device is capable of encoding analogue voice into PCM (linear, μ -law or A-law), CVSD or G.729A data formats and of decoding PCM, CVSD and G.729A back to analogue voice. It can also transcode data between PCM, CVSD and G.729A.

Input and output signals may be passed through the IC's C-BUS interface, its PCM port or the on-chip converters (ADC/DAC).

The device utilises CML's proprietary FirmASIC® component technology. On-chip sub-systems are configured by a Function Image™ data file that is uploaded during device initialisation and defines the device's function and feature set.

The Function Image™ can be loaded automatically from a host μ C over the C-BUS serial interface or from an external memory device.

The device's functions and features can be enhanced by subsequent Function Image™ releases, facilitating in-the-field upgrades.

Applications

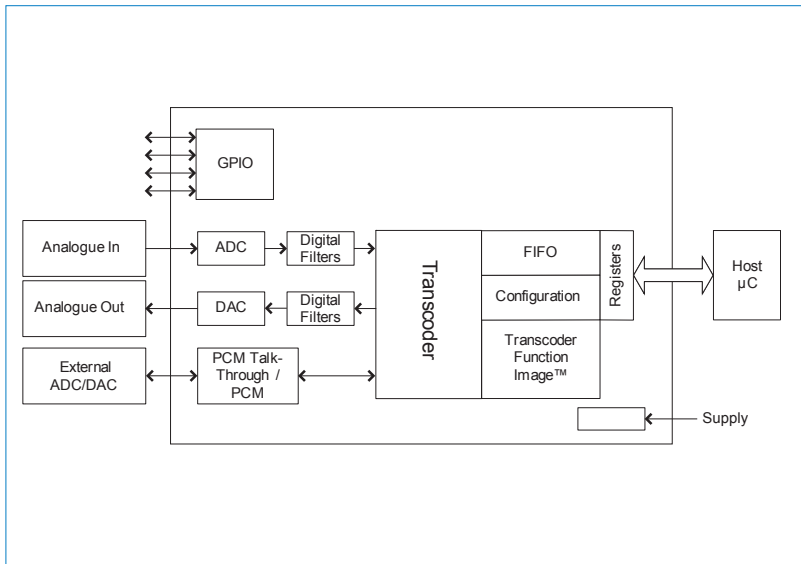
- Full and/or Half Duplex Radio Systems
- Personal Area Network (PAN) Voice Links
- Privacy-type Digital Voice Comms
- Wireless Branch Exchange (PBX)
- Voice-over Internet Protocol (VoIP) Applications
- Digital Software Defined Radio (SDR)



Analogue Two-way Radio and Digital PMR/LMR

Wireless Data

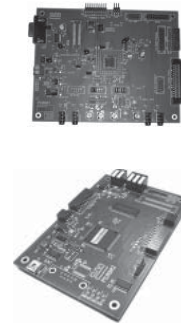
Marine Safety and Comms



Packages	
CMX7261Q1	64-pin VQFN
Operating Temperature -40 to +85 °C	

Support

- PE0601 - 7261 EvKit
- PE0002 EvKit Interface Card



Brief CMX7261 Technical Basics

- Supply Current at 3.0 to 3.6 V
- Idle
- Powersave

	min	typ	max	
Supply Current	-	22.3	-	mA
Idle	-	770	-	μ A
Powersave	-	0	-	μ A



CMX7261

Please contact CML or visit the CML Microcircuits website (www.cmlmicro.com) for further information.

Digital Voice

Custom

Embedded

Wireline Data and Telephony

RF

Digital Voice Products

Analogue Two-Way Radio
and Digital PMR/LMR

Wireless
Data

Marine Safety
and Comms

Digital Voice

Custom

Embedded

Wireline
Data and Telephony

Custom ASIC Design Resource

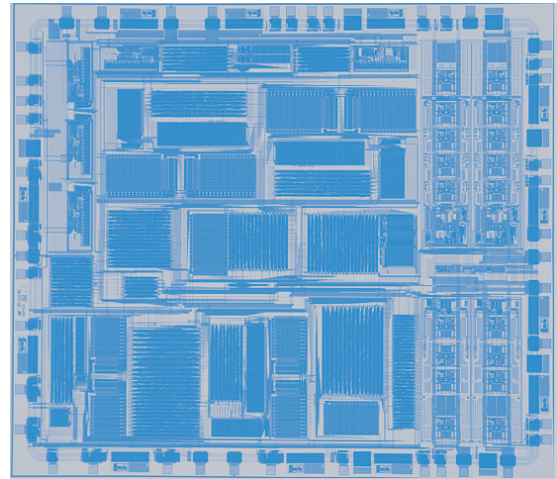
RF

Introduction

CML Microcircuits offers a complete 'turnkey' service for the design and supply of custom ASIC solutions. This service supports all stages of ASIC development, from concept through design, layout, prototype-testing and the supply of production tested devices.

Through CML, customers gain access to leading-edge technologies and a design team with extensive expertise specialising in: analogue, digital, mixed-signal, memory and RF integrated circuit design.

Technologies available are state-of-the-art processes and geometries, including: CMOS, BiCMOS, BiPOLAR and SiGe. Extensive custom cell libraries are available comprising: logic, analogue, analogue/mixed-signal and digital operations; including memory, microcontroller, RISC/DSP and IP cores.



Analogue Two-way Radio and Digital PMR/LMR

Wireless Data

Marine Safety and Comms

Routes to Market

Two basic custom product development paths are available: full-custom ASIC and CML's proprietary technology, *FirmASIC*[®]. The ability to choose the appropriate path based on the product/customer requirement is the enabler in providing high performance, low cost end products in the appropriate time-frame.

Full Custom ASIC

CML offers a fast and competitive full-custom ASIC design service, with a ground-up design or a design based on the CML's vast design library resource.



- Built on FirmASIC[®] Technology -

Digital Voice

Custom

FirmASIC[®]

This CML proprietary technology enables the lowest overall cost, fastest time-to-market, lowest risk and provides unsurpassed flexibility.

FirmASIC[®] technology opens up completely new opportunities for deployment in the ASIC, structured ASIC, FPGA and DSP replacement markets, and is not confined to just high quantity applications.

FirmASIC[®] provides the optimum combination of analogue, digital, firmware and memory technologies in a single silicon platform. A family of approved, stable hardware platforms is available, each providing a different mix of fixed and re-definable functions. The *FirmASIC*[®] approach focuses on delivering the right feature mix, performance and cost for the target application.

FirmASIC[®] products can be offered in very small outline surface mount packages operating over the temperature range: -40°C to +85°C.

The *FirmASIC*[®] path can be further sub-divided to provide semi-custom and full-custom product offerings, providing a completely new approach to system designers.

Embedded

Wireline Data and Telephony

*Two basic custom product development paths are available:
Full custom ASIC and CML's proprietary technology, FirmASIC[®].*

FirmASIC® Semi-custom

The route utilises available FirmASIC® hardware platforms and requires a Function Image™ (FI) data file to be uploaded to the device during device initialisation. The Function Image™ data file configures on-chip sub-systems to determine the specific end product function and specification.

The Function Image™ data file can be held in the host microcontroller Flash memory or in a serial Flash memory attached to the FirmASIC® device.

The advantages of this route include:

- No silicon hardware development required
- A Function Image™ can be provided at the earliest opportunity to allow customer evaluation
- A Function Image™ can be modified and adapted, based on the customer evaluation through to approval
- Provides the lowest risk
- Fastest evaluation samples and production devices
- Custom top-marking available
- Future proof design approach - New Function Images™ may be subsequently provided to supplement and enhance device functions, expanding or modifying end-product features without the need for expensive and time-consuming design changes
- System-on-Chip (SoC) possibilities
- This route can be used as a stepping-stone to a full-custom device.

FirmASIC® Custom

This is an advancement on the semi-custom route that is ideally suited to larger quantity opportunities. Once the product function is fully approved following the semi-custom route, the Function Image™ can be embedded on-chip thus eliminating the need for any external Flash memory. This route provides the ultimate security of intellectual property and products can be labelled with customer-specific markings.

FirmASIC® Platforms and Function Modules

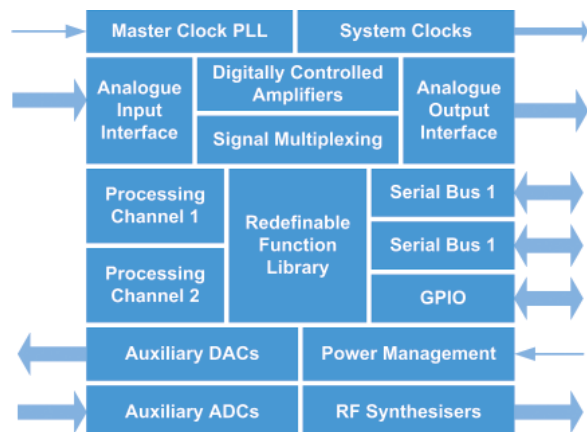
Silicon based hardware configurations are available to address the needs of audio and signal processing applications.

The diagram shows a typical FirmASIC® hardware platform.

Note that not all functions are included on every available platform.

Typical functional modules include:

- Audio processing
- Wireless data modems
- Wireline data modems
- Signal processing
- Tone encoding/decoding, including DTMF
- Vocoder management
- Protocol stack implementation
- Measurement and conditioning
- Filtering and equalisation
- RF systems' control
- Custom functions
- System-on-Chip (SoC) operation.



*FirmASIC® is ideally positioned to fulfil all your requirements
... and to replace today's ASIC/DSP/FPGA implementations.*

Discuss your specific requirements with CML today.

Embedded Products

NOTES

RF

Analogue Two-way Radio
and Digital PMR/LMR

Wireless
Data

Marine Safety
and Comms

Digital Voice

Custom

Embedded

Wireline
Data and Telephony

Embedded Products by Function

8051 μ Controller	V.22 bis	V.22/Bell 212A	V.23/Bell 202	V.21/Bell 103	DTMF	Tone Generation	Tone Detection	Call Progress	GPIO	ADC	UART	Flash Memory	EVKit	Page No.
-----------------------	----------	----------------	---------------	---------------	------	-----------------	----------------	---------------	------	-----	------	--------------	-------	----------

CML Microcircuits

CMX850 Communications Controller	•	•	•	•	•	•	•	•	•	•	•	•	•	76
---	---	---	---	---	---	---	---	---	---	---	---	---	---	----

Hyperstone

A2 Memory Card Controllers for Solid State Disks

E2 General Purpose 32-bit RISC and DSP Processor - with μ Controller Functions

hyNet XS Network Communication Controller

hyNet S Network Communication Controller

F3 and F4 Memory Card Controllers for CF/ATA Card and Solid State Disks

S6 Memory Card Controllers for SD and MMC Memory Cards

www.cmlmicro.com/hyperstone
or
www.hyperstone.com

- available function

The range of embedded products detailed includes the Hyperstone portfolio of memory card controllers and network communication controllers.

Hyperstone, a fabless semiconductor company and a member of the CML Plc Group, offers a wide range of microprocessor and microcontroller products based on unified RISC/DSP architecture.

CMX850 Communications Controller

A Powerful, Versatile Wireline Communications Processor with On-chip Microcontroller

Features

- 8051 μ C with 8k Internal RAM
- Addressing for 4Mbytes of External Flash Memory
- RAM, LCD and Controller Interfaces
- Integral Modem:
 - V.22 bis, V.22, V.23, V.21 (and Bell)
- Tx and Rx DTMF/Tones
- Line and Phone Differential Amplifiers
- Call Progress Decoder
- CAS Tone Detection and Generation
- 'Line Reverse', 'Ring' and 'Off-Hook' Detection
- Watchdog Timer
- GPIO, UART and Timer Port with External Interrupts
- Multiplexed 2-input 10-bit A-to-D Converter
- Keypad: (8 x 16) GPIO
- Two Low Power PWM Outputs
- Supply Requirement Range: 3.0 to 3.6 V

The CMX850 combines an extended function CMX860 (*Telephone Signalling Transceiver - page 85*) with a full-function 8051 microcontroller (including UART and timer/counters), and has 8kbytes of RAM to form a powerful communications processor. Extended addressing offers page mode access to 4Mbytes of external Flash memory.

A 32.768kHz clock system allows a very low power interrupt-driven real time clock, watchdog timer and keyboard encoder.

The device also includes a separate CAS-tone detector, two low-power PWM outputs and a multiplexed two-input ten-bit A-to-D converter with auto-convert and threshold detect.

Advanced low power and sleep modes, including the ability to operate from an on-chip RC oscillator, contribute to low battery consumption.

The 8051 runs from a \sim 12MHz oscillator with a choice of sub-multiple frequencies, or a 32kHz RTC crystal, giving a range of low power operating modes.

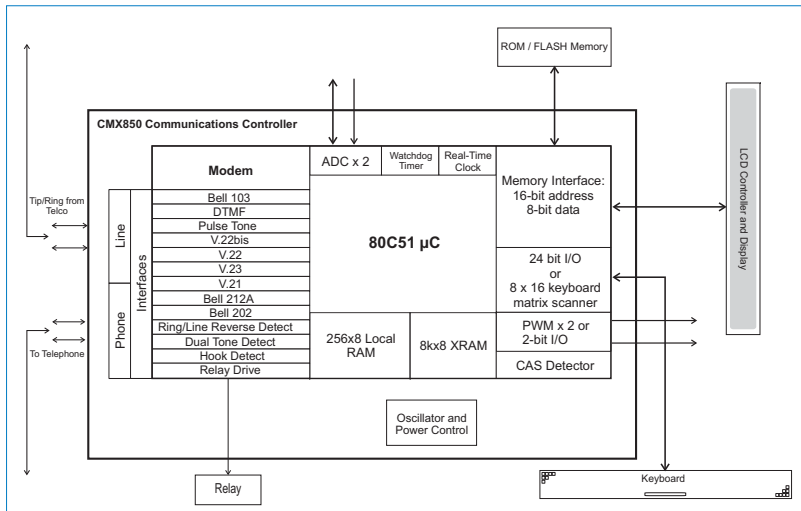
A watchdog timer, one 16-bit timer, and two 8 bit timers are available; one of the 8-bit timers controls the UART Clock output.

I/O facilities include an LCD controller interface, 8x16 keypad interface with interrupts, a UART, two low power PWM outputs, and a multiplexed 2-input 10-bit A-to-D converter. Unused functions can be alternatively used as GPIO. Low power and very low power (sleep) modes contribute to low battery consumption.

The V.22 bis modem can be woken from sleep mode by telephone 'ringing' or 'line-reversal' inputs.

Applications

- SMS, ADSI and EPOS Terminals
- Telemetry, Remote Meter Reading, E-Mail and Internet Appliances
- Security and Alarm Systems
- Feature Phones and Call Routers



Packages	
CMX850L8	100-pin LQFP
Operating Temperature -40 to +85 °C	

Support

- EV8500 EvKit



Brief CMX850 Technical Basics

	min	typ	max	
■ Typical Supply Current ($AV_{DD} = DV_{DD}$ 3.0 to 3.6 V)	-	6.5	16.0	mA
■ Zero-Power Mode	-	6.0	60	μ A
■ Modem Rx Signal Level	-45	-	-9.0	dBm
■ Modem Rx S/N Ratio	20	-	-	dB
■ Modem Tx Signal Level	-3.2	-2.2	-1.2	dBm
■ Single Tones				
■ Tx Signal Level	-3.2	-2.2	-1.2	dBm
■ DTMF Output Levels				
■ Low Group	-1.2	-0.2	0.8	dBm
■ High Group (wrt Low Group)	1.0	2.0	+0	dB
■ DTMF Input Levels (each tone of composite)	-30	-	0	dBm
■ Call Progress Energy Detector Bandwidth (-3dB)		275 to 665		Hz

Hyperstone and its Products

Hyperstone, a fabless semiconductor company and a member of the CML Plc Group, offers a wide range of microprocessor and microcontroller products based on unified RISC/DSP architecture.

Hyperstone is based in Konstanz, Germany; together with subsidiaries in Taiwan, USA and with other worldwide partners, Hyperstone serves a global customer base.

Hyperstone research and development is based in Germany and Taiwan. Industry-leading partners provide world-class wafer subcontracting, packaging and testing services.

Hyperstone's success is based on the unique design of the unified RISC/DSP processor architecture. This core architecture provides both a fast RISC processor for data and control functions together with a powerful DSP unit for efficient algorithm execution.

Hyperstone designs require less silicon, are more power-efficient and require lower software complexity when compared to conventional dual-core designs.

Focus Products

A2 Flash Memory Controllers

The A2 family of Flash Memory Controllers, together with provided application and flash specific firmware, offer an easy-to-use turnkey platform for high-endurance, robust flash disks of various form factors and interface standards

E2 RISC/DSP Microcontroller

An integration of a high-performance RISC processor with a powerful DSP unit. Additional on-chip highlights include a programmable serial communication engine, an analogue-to-digital converter (ADC) and a full 32kBytes of on-chip I-RAM complemented by a flexible external memory and peripheral interface controller. Maximum efficiency in terms of power-consumption, gate count and ease of programming when utilising RISC and DSP functionality are inherent features of the unique Hyperstone RISC/DSP architecture.

hyNet XS and hyNet S Communication Controllers

hyNet XS

A network communication controller with a wide range of possible applications, such as industrial automation, control and robotics, real-time Ethernet, PROFINET, Ethernet Powerlink, Ethernet/IP, cost sensitive network enabling and embedded web servers, communication infrastructure, bus bridges, residential gateways, data and Voice over IP (VoIP) and power-line communications.

hyNet S

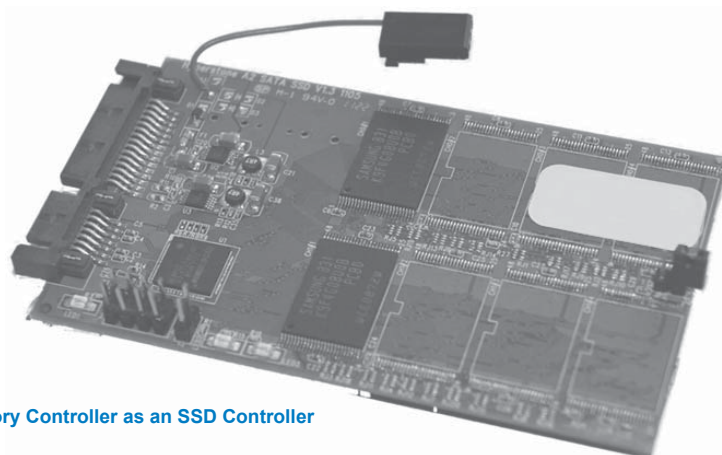
A communication controller with a wide range of possible applications, such as security, internet protocol cameras (IP-Cam), digital video recorders (DVR), data and Voice over IP (VoIP), cost sensitive network enabling and embedded web servers, industrial automation, control and robotics, real-time Ethernet, PROFINET, Ethernet Powerlink, Ethernet/IP and bus bridges.

F3 and F4 Flash Memory Controllers

Families of Flash Memory Controllers, which together with provided applications and Flash specific firmware, offers easy-to-use turnkey platforms for high endurance Flash disks of various form-factors and interface standards.

S6 Flash Memory Controllers

A family of Flash Memory Controllers which together with provided applications and Flash specific firmware offers an easy-to-use turnkey platform for high reliability and high performance Flash solutions compliant to MMC 4.2 and SD 2.0 interfaces.



A2 Flash Memory Controller as an SSD Controller

Embedded Products Hyperstone Products

RF

The table below gives a basic guide to the Hyperstone product families. More information can be found at www.hyperstone.com.

Product	Applications	External Data Bus Width	Flash ICs	Timers/Resolution	Internal RAM (kB)	Boot ROM (kB)	Voltage Range	Operating Temperature	Packages	External Interfaces and Additional Features						
A2-RAP08/A2-RAP09	2.5" Serial ATA SSD, 1.8" SATA Slim SSD, Mini SATA Modules, CFast™ Cards	16	32	2 1µS	64	32	3.3 or 1.2 V+/-5% Flash 3.3 or 1.8 V+/-5%	-40°C to +85°C	TF-BGA 201	Compliance: SATA 2.6 and CFast™ 1.0 Typical active power consumption: 250mA SATA partial/slumber: 150mA CFast™ PHYSLP 5mA supported						
E1-L16XSR	General Purpose RISC + DSP, Multimedia, Telecoms	16		2 1µS	16		2.5V+/-5% 3.3V+/-10%	0°C to +85°C	LQFP 100	DRAM, EDO-DRAM, SDRAM, DRAM Controller, DSP, Automatic power-down, PLL, Watchdog, EvKit.						
E1-L32XSR		32							LQFP 144							
E2-LBL07	General Purpose RISC + DSP, Sensing, Analogue Input Signal Processing.	32		2 1µS	32 DPRAM 8	8	1.8V+/-5% 3.3V+/-10%	0°C to +85°C	LQFP 144	Similar to E1 in 0.18µm with additional 10-bit successive approximation ADC with 8 multiplexed inputs, RTC, Programmable Serial Engine (up to 4 UART, I²C, I²S, SPI, PWM), EvKit.						
F2-L16XT-FU5A	CF Cards, IDE Flash Disks, DOM DOC, PCMCIA Cards.	16	10	2 1µS	16	8	5V+/-10% 3.3V+/-10%	0°C to +85°C	TQFP 100	PCMCIA 2.1, PC Card ATA, ATA 3, CF 1.3, ECC, Wear levelling, Automatic power-down and Sleep modes, Voltage regulators, True IDE modes.						
F2-L16XN-FU5A			16						TQFP 128							
F2-IL16XN-FU5A											-40°C to +85°C					
F3-LCT05	High-speed CF/ATA Cards, Solid State Disks (SSD), IDE Flash Disks, DOM, DOC, PCMCIA Cards.	16	8	2 1µS	16	16	5V+/-10% 3.3V+/-10%	0°C to +85°C	TQFP 100	PCMCIA 2.1, PC Card: ATA, ATA 6, CF 3.0. 2 x channel, ECC, Wear levelling, Automatic Power-down and Sleep modes, Voltage regulators, PIO mode 6, MDMA mode 4, UDMA (true IDE) Mode 5.						
F3-ILCT05								-40°C to +85°C								
F3-LCT06								0°C to +85°C			TQFP 128					
F3-ILCT06								-40°C to +85°C								
F4-LAT05			16											0°C to +85°C	TQFP 100	PCMCIA 2.1, PC Card: ATA, ATA 6, CF 3.0. 2 x channel, ECC, Wear levelling, Automatic Power-down and Sleep modes, Voltage regulators, PIO mode 6, MDMA mode 4, UDMA (true IDE) Mode 5. Available as KGD.
F4-LAT06														-40°C to +85°C		
F4-ILAT05																
F4-ILAT06																
S6-LAK05	SD/MMC/MiniSD/ MicroSD Cards, MMC, MMCmicro, RSMMC, Embedded Flash, eMMC.	8	4	2 1µS	20	16	1.65V 1.95V 2.7V 3.6V	-25°C to +85°C	LGA 54	SD 1.01, 1.1 and 2.0, MMC 3.31, 4.1 and 4.2. 2 x Channel, Pad-optimised for µSD, Serial interface to security chips. Available as KGD						
hyNet XS-LCB09	Real-time Ethernet, Networking, Telecommunications, Image control, Robotics, Communication, Access Points, Bridges.	32		1 timer 1 x 32-bit counter 2 x 16-bit counter	128kB SRAM 16kB IRAM 16kB DPRAM	8	1.8V/3.3V +/- 5%	-40°C to +85°C	TF-BGA 256	ATM Utopia/DSL, PCM/ISDN, CAN 2.0, USB 2.0 OTG, 1.1 Phy, YUV CCIR 656/100, SD/CF Host, PCMCIA, UART, SPI, IRDA, I²C/I²S Master/Slave, EvKit, 10/100 Ethernet, 2 MAC, 1 Phy.						
hyNet S-LCB09	IP-Cameras, Digital Video Recorders, Industrial Automation	32		1 timer 1 x 32-bit counter 2 x 16-bit counter	64kB SRAM 16kB IRAM 4kB DPRAM	8	1.8V/3.3V +/-5%	-40°C to +85°C	TF-BGA 256	SDRAM, SD/CF Host, PCMCIA, PCI 2.2, PCM/ISDN, Can 2.0, YUV CCIR 656/601, Ethernet 10/100, 1 x MAC, 2 x MII, UART, SPI, IRDA, I²C/I²S Master/Slave, EvKit.						

Analogue Two-way Radio and Digital PMR/LMR

Wireless Data

Marine Safety and Comms

Digital Voice

Custom

Embedded

Wireline Data and Telephony

Product Prefix:

- L = RoHS compliant
- I = Industrial Temperature Range

RF

Embedded Products

Analogue Two-way Radio
and Digital PMR/LMR

Wireless
Data

Marine Safety
and Comms

Digital Voice

Custom

Embedded

Wireline
Data and Telephony

Wireline Data Products

NOTES

RF

Analogue Two-way Radio
and Digital PMR/LMR

Wireless
Data

Marine Safety
and Comms

Digital Voice

Custom

Embedded

Wireline Data

Wireline Data Products by Function

	V.32 bis	V.32	V.22 bis	V.22/Bell 212A	V.23/Bell 202	V.21/Bell 103	Tone Detection	Tone Generation	DTMF	Call Progress	CL/I/CIDCW	AT Command Set	Line Drivers	Digital Amplifiers	EvKit	Page No.	
FX/MX604 V.23 Compatible Modem					•											82	
FX/MX614 Bell 202 Compatible Modem					•											83	
CMX654 V.23 Transmit Modulator					•								•			84	
CMX860 Telephone Signalling Transceiver					•		•	•	•	•			•	•		85	
CMX865A DTMF Codec/FSK Combo					•	•	•	•	•				•	•	•	86	
CMX866 V.22 bis Modem with AT Command Set			•	•	•		•	•	•		•	•	•	•	•	87	
CMX867A Low Power V.22 Modem				•	•	•	•	•	•	•			•	•	•	88	
CMX868A Low Power V.22 bis Modem			•	•	•	•	•	•	•	•			•	•	•	89	
CMX869B Low Power V.32 bis Modem	•	•	•	•	•	•	•	•	•	•			•		•	90	
Relevant Products in Other Sections																	
CMX850 Communications Controller																Embedded Products	76

• available function

A comprehensive portfolio of wireline data products operating to a range of ITU 'V' and Bell specifications. The majority of these versatile products include, on-chip, wireline signalling applications to offer true end-to-end communications.

Wireline Data Products

RF

FX604 V.23 Compatible Modem MX604 *Versatile Full-duplex V.23 Wireline Data*

Features

- Full Duplex 1200/75 bps Operation
- Optional 75bps Back Channel
- Optional 1200bps (Tx and Rx)
- Data Retiming Facility
- Optional Line Equalisation
- Low Power Operation with 'Zero-Power Mode'
- **Supply Requirement Range: 3.0 to 5.5 V**

Applications

- Wireline and Wireless Telemetry Systems
- Security and Alarm Systems
- AIS Digital Selective Calling (DSC)
- Amateur Radio Packet Data Systems

The FX/MX604 is a low power IC product for the reception and transmission of asynchronous 1200bps data in accordance with CCITT V.23 and ETSI specifications. It is also capable of generating the 75bps 'back channel'.

The device incorporates an optional Tx and Rx data retiming function that removes the need for a UART in the associated μC when operating at 1200bps. The device can disable the back channel or be operated so that only the mark or space tone is produced. An optional line equaliser is incorporated into the receive path, this is controlled by an external logic level.

The FX/MX604 may be used in a wide range of telephone and wireless telemetry systems and is suitable for both portable, terminal and line powered applications. With a very low current 'sleep' mode and a mean operating current of 1mA, the device is ideal for line-powered applications.

A 3.58MHz standard Xtal/Clock rate is required and the device operates from a 3.0 to 5.5 volt supply.

Analogue Two-way Radio and Digital PMR/LMR

Wireless Data

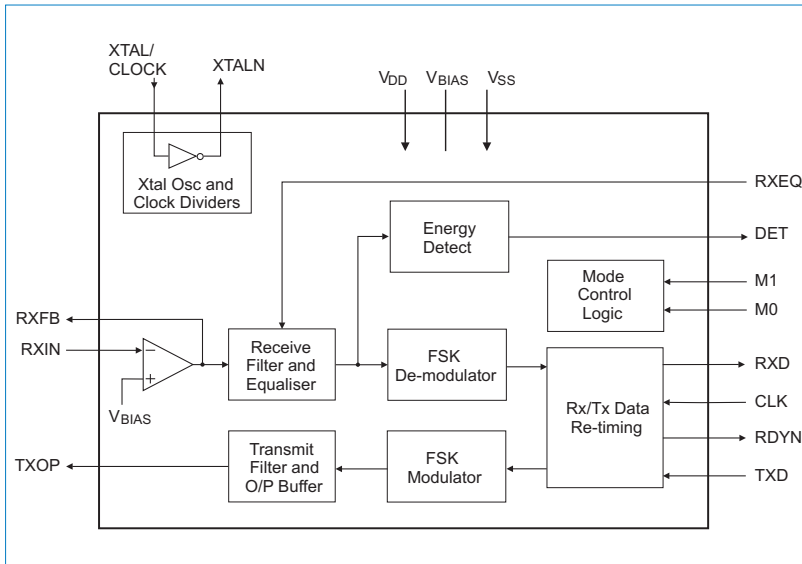
Marine Safety and Comms

Digital Voice

Custom

Embedded

Wireline Data



Packages	
FX604D4	16-pin SOIC
MX604DW (D4)	16-pin SOIC
FX604P3	16-pin PDIP
MX604P (P3)	16-pin PDIP
MX604TN (E2)	24-pin TSSOP
Operating Temperature -40 to +85 °C	

Brief FX/MX604 Technical Basics

	min	typ	max	
■ Typical Supply Current at 3.3V Powersave (ZP)	-	1.0	-	mA
■ FSK Demodulator Acceptable Signal-to-Noise Ratio	20.0			dB
■ FSK Modulator Tx Output Level	-1.0	0	1.0	dB
■ FSK Retiming Acceptable Rx Data Rate	1188	1200	1212	Baud
Tx Data Rate	1194		1206	Baud

Wireline Data Products

FX614 Bell 202 Compatible Modem MX614 *Versatile Half-duplex Bell 202 Wireline Data*

Features

- Optional 5 and 150 bps Back Channels
- Optional 1200bps Data Retiming
- Optional Line Equalisation
- **Supply Requirement Range:**
3.0 to 5.5 V

Applications

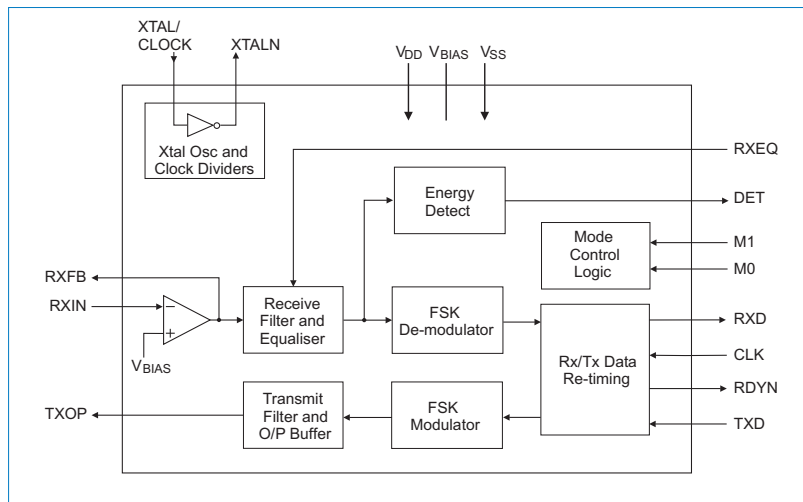
- Bell Wireline Telephone and Telemetry Systems

The FX/MX614 is a low power IC product for the reception and transmission of asynchronous 1200bps data and is suitable for use in Bell 202 type systems. It is also capable of generating the 5 or 150 bps 'back channel'.

The device incorporates an optional Tx and Rx data retiming function that removes the need for a UART in the associated μC when operating at 1200bps. An optional line equaliser is incorporated into the receive path, this is controlled by an external logic level.

With a low operating voltage, a very low current 'sleep' and operating modes, the FX/MX614 may be used in a wide range of telephone systems and is ideal for portable, terminal and line-powered applications.

A 3.58MHz standard Xtal/Clock rate is required.



Packages

FX614D4	16-pin SOIC
FX614P3	16-pin PDIP
MX614DW (D4)	16-pin SOIC
MX614P (P3)	16-pin PDIP
MX614TN (E2)	24-pin TSSOP
Operating Temperature -40 to +85 °C	

Brief FX/MX614 Technical Basics

	min	typ	max	
■ Typical Supply Current at 3.0V	-	1.0	-	mA
■ Powersave (ZP)	-	1.0	-	μA
■ FSK Demodulator Acceptable Signal-to-Noise Ratio	20.0			dB
■ FSK Modulator Tx Output Level	-1.0	0	1.0	dB
■ FSK Retiming Acceptable Rx Data Rate	1188	1200	1212	Baud
Tx Data Rate	1194		1206	Baud

Wireline Data Products

RF

CMX654 V.23 Transmit Modulator

Simple V.23 Transmission System

Features

- 1200bps, V.23 Transmit Modulator with Tx Data Retiming
- Meets ITU and ETSI Specifications
- **Supply Requirement Range: 3.0 to 5.5 V**

Applications

- Calling Line ID (CLID) Generation for:
 - ISDN Terminal Adapters
 - Wireless Local Loops
 - ISDN PABX Applications
 - Pair-Gain Systems
 - Public Switched Telephone Networks (PSTN)
 - Trunk Exchanges

The CMX654 is a low power CMOS product for the transmission of asynchronous 1200bps data in accordance with ITU, V.23 and ETSI specifications.

The device incorporates an optional Tx data retiming function and can be operated so that only the mark or space tone is produced.

The CMX654 may be used in a wide range of telephone telemetry systems. With a low power requirement it is suitable for both portable terminal and line powered applications.

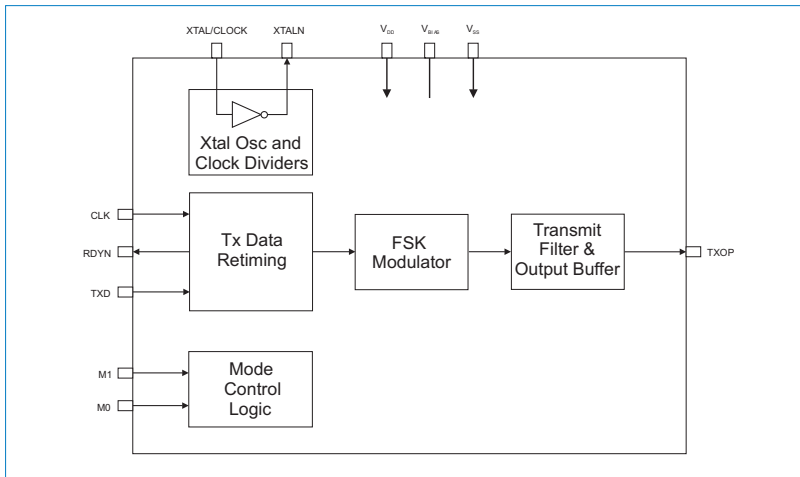
Very low-power 'sleep' and operating modes make the device ideal for line powered applications.

A 3.58MHz standard Xtal/Clock rate is required.

Analogue Two-way Radio and Digital PMR/LMR

Wireless Data

Marine Safety and Comms



Packages	
CMX654D4	16-pin SOIC
Operating Temperature -40 to +85 °C	

Digital Voice

Custom

Embedded

Brief CMX654 Technical Basics

	min	typ	max	
■ Supply Current at 3.3 to 5.5 V All Enabled	-	1.0	1.25	mA
■ Zero-power	-	1.0	-	µA
■ FSK Retiming Tx Data Rate	1194	-	1206	Baud
■ FSK Modulator Tx Output Level	-1.0	0	1.0	dB

Wireline Data

Wireline Data Products

CMX860 Telephone Signalling Transceiver

Versatile, Integrated Telephone Signalling

Features

- V.23 1200/75 bps FSK Rx and Tx
- Bell 202 1200/150 bps
- Transmit and Receive DTMF/Tones
- Line and Telephone Complimentary Drivers
- Call Progress Decoder
- Dual-tone Detection and Generation
- Simple C-BUS Serial Control/Data Interface
- Low-Power Operation with Powersave 'Standby' Mode
- **Supply Requirement Range: 2.7 to 5.5 V**

Applications

- Least Cost Routers
- Vending Machines
- Internet Appliances
- Home Management Systems
- Remote Meter Reading
- Alarm Systems
- Set-Top Boxes

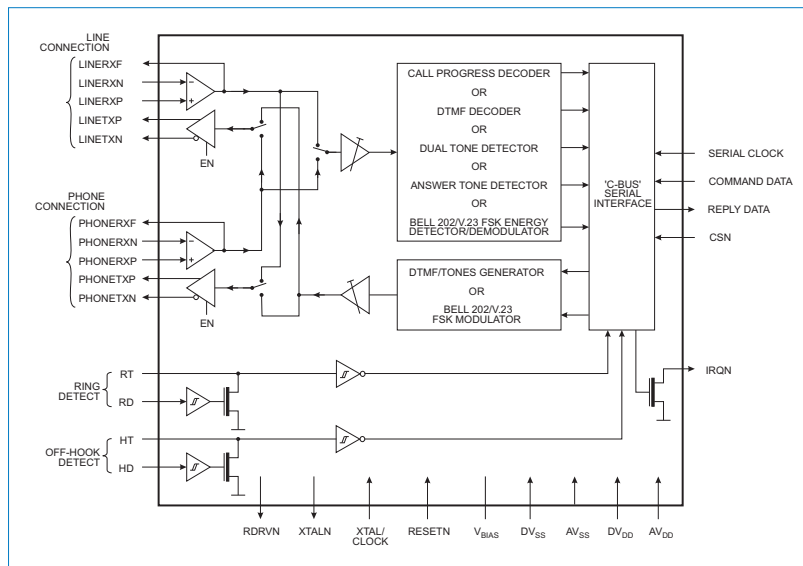
The CMX860 is a flexible, low-power telephone signalling transceiver, designed for use in a wide range of line-powered telephone equipments.

The device combines the functions of a DTMF encoder and decoder, V.23 modulator and demodulator plus call progression circuitry with analogue-switching between line and phone interfaces.

Ring detection, local phone off-hook detection and a relay driver for line hook-switch operation are also provided under the control of 'C-BUS'. The ring and hook detectors operate whilst the remainder of the IC is powersaved, generating an interrupt to wake-up the host μ C when further processing or signalling is required.

All on-chip functions and switching arrangements are controlled via a serial control/data bus (C-BUS).

The CMX860 is designed to operate from 2.7V and utilises CML's low power DTMF decoder and V.23 modem technology.



Packages

CMX860D1	28-pin SOIC
CMX860D6	28-pin SSOP
CMX860E1	28-pin TSSOP
Operating Temperature -40 to +85 °C	

Brief CMX860 Technical Basics

	min	typ	max	
■ Typical Supply Current at 3.0V	-	3.0	5.0	mA
Reset (not powersaved)	-	1.0	2.0	mA
Powersave	-	2.0	-	μ A
■ V.23 FSK Mode				
Data Rate	-	1200/75	-	bps
■ Bell 202 FSK Mode				
Data Rate	-	1200/150	-	bps
■ DTMF/Single-tone Transmit Frequency Accuracy	-0.2	-	0.2	%

Wireline Data Products

RF

CMX865A DTMF Codec/FSK Combo

Multi-standard Modem with On-chip Signalling

Features

- V.23: 1200/75, 1200/1200, 75, 1200 bps
- Bell 202: 1200/150, 1200/1200, 150, 1200 bps
- V.21 or Bell 103: 300/300 bps
- Transmit and Receive DTMF/Tones
- Low Voice-falsing DTMF Decoder
- Software and Hardware Compatible with CMX86x Series of ICs
- **Supply Requirement Range:** 3.0 to 3.6 V

Applications

- Wireless Local Loop
- Fixed Wireless Terminals
- SMS Phones
- POTS Signalling
- Security Systems
- Remote Utility Reading
- Industrial Control Systems
- PayPhones
- Set-Top Boxes

The CMX865A is a multi-standard modem for use in Wireless Local Loop and Short Message Service telephone based information and telemetry systems. Flexible line-driver, hybrid and receiver circuits are integrated on chip, requiring only passive external components to build a 2- or 4-wire line interface.

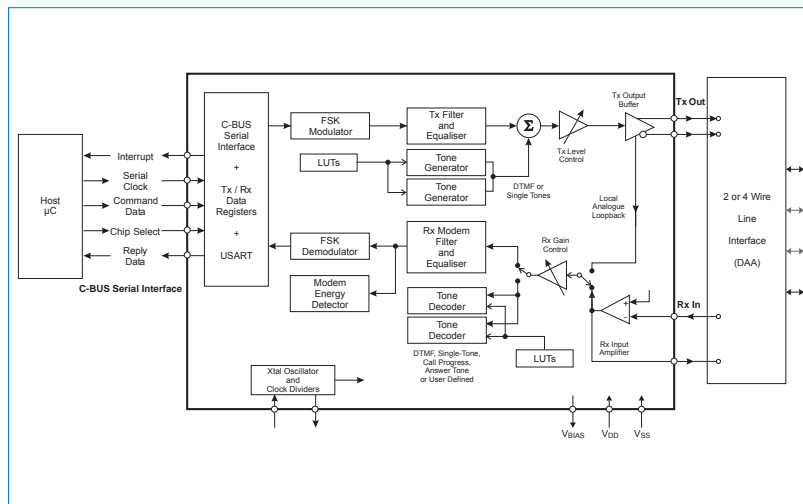
A high-quality DTMF decoder, with excellent immunity to falsing on voice, and a standard DTMF encoder are included. Alternatively, these blocks can be used to transmit and detect user-specific, programmed single and dual-tone signals, simple melodies, call progress signals or modem calling and answering tones.

Host control and data transfer is via a high-speed serial bus that operates in normal and powersave modes and which is compatible with most simple types of μ C serial interface. An embedded USART allows multi-format asynchronous data and unformatted synchronous data to be received or transmitted as 8-bit bytes.

Analogue Two-way Radio and Digital PMR/LMR

Wireless Data

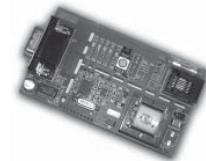
Marine Safety and Comms



Packages	
CMX865AD4	16-pin SOIC
CMX865AE4	16-pin TSSOP
Operating Temperature -40 to +85 °C	

Support

- EV8600 EvKit
- DE8681 DemoKit
- HB865A Header Board



Digital Voice

Custom

Embedded

Brief CMX865A Technical Basics

	min	typ	max	
■ Typical Supply Current at 3.3V	-	4.0	7.0	mA
■ Powersave	-	6.5	-	μ A
■ Rx Modem Signal Input Level	-	-45.0	-9.0	dBm
■ Operation Modes				
Bell 202	-	1200/150	-	Baud
V.23	-	1200/75	-	Baud
V.21 and Bell 103	-	300	-	Baud
■ DTMF/Single Tone Tx Frequency Accuracy	-0.2	-	0.2	%
■ DTMF Decoder				
Detect Response Time	-	40.0	-	ms
Detect De-response Time	-	-	30	ms

Wireline Data

Wireline Data Products

CMX866 V.22 bis Modem with AT Command Set

Multi-standard Data plus Telephone Signalling; with AT Interpreter

Features

- V.22 bis, V.22 and Bell 212A QAM/ DPSK
- V.23, Bell 202, V.21 and Bell 103 FSK
- Integral AT Command Set with 'Fast Connect'
- V.23 and Bell 202 'Fast Turnaround'
- Support for Type 1 Caller Line Identification
- Tx and Rx DTMF and Programmable Audio Tones
- 'Zero-Power' and Powersave Standby Modes
- Low Power Operation
- **Supply Requirement Range:**
2.7 to 5.5 V

Applications

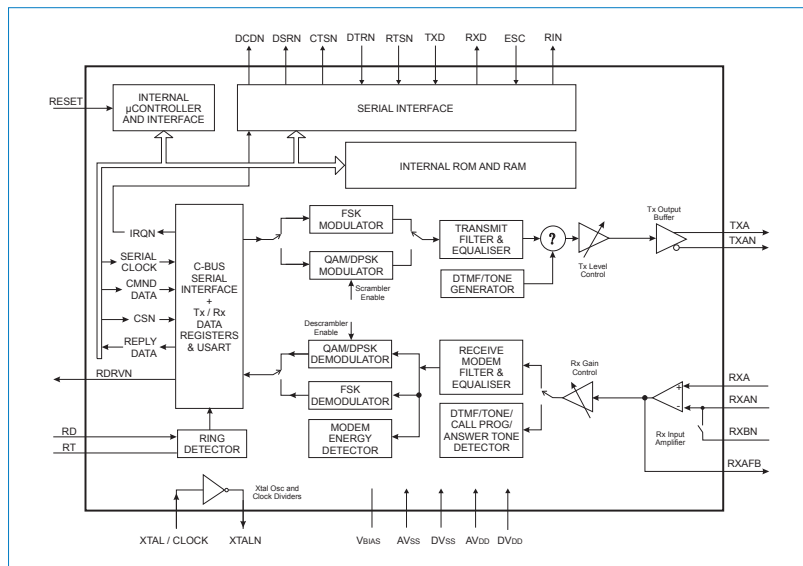
- Telephone Telemetry Systems
- Remote Utility Meter Reading
- Security Systems
- Industrial Control Systems
- Electronic Cash Terminals and ATMs
- Pay-Phones
- Set-Top Boxes
- EPOS Terminals

The CMX866 is a multi-standard modem for use in telephone-based information and telemetry systems. Control of the device is via AT commands over a simple 9600bps serial interface, compatible with most types of host μ Controller. An RS232 compatible interface can be created by the addition of a level converter.

The data transmitted and received by the modem is also transferred over the same serial interface. The on-chip μ Controller interprets these AT commands and controls an internal DSP, which provides the modem and such ancillary functions as Ring Detection, Call Progress Detection, Hook Switch control and DTMF auto-dialling. User-specific DSP functions are also available via the AT command set.

Hardware support is provided for V.23 and Bell 202 Fast Turnaround and for rapid return to AT Command mode. A Fast Connect mode has been implemented to reduce modem connection time. Flexible line driver and receive hybrid circuits are integrated on chip, requiring only passive external components to build a 2 or 4-wire line interface. Complete examples of 2-wire line interfaces to an external host μ C and to an RS232 interface, including the additional components required for Type 1 CLI, are provided.

The device features a hook switch relay drive output and a ring detector circuit that remain operational when the CMX866 is in 'Zero-Power' or powersave mode, providing an interrupt which can be used to wake up an external host μ C, as well as the CMX866, when line voltage reversal or ringing is detected.

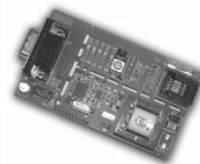


Packages

CMX866D6 28-pin SSOP
Operating Temperature -40 to +85 °C

Support

- DE8661 DemoKit



Brief CMX866 Technical Basics

	min	typ	max	
■ Typical Supply Current at 3.0V	-	3.4	-	mA
■ Zero Power Mode	-	3.0	10.0	μ A
■ DTMF/Single Tone Tx				
Tone Frequency Accuracy	-0.2	-	0.2	%
■ Tx Output Level				
Modem and Single Tones Mode	-4.0	-3.0	-2.0	dBm
DTMF Mode; Low Group Tones	-2.0	-1.0	0	dBm
DTMF Mode; High Group Tones wrt Low Group	1.0	2.0	3.0	dB
■ Rx Modem Signal (FSK, DPSK and QAM Modes)				
Signal Level	-45.0	-	-9.0	dBm
Signal-to-Noise Ratio (noise flat 300 - 3400 Hz)	20.0	-	-	dB

Wireline Data Products

RF

CMX867A Low Power V.22 Modem

Versatile V.22, V.23, V.21 and Bell Data, plus Telephone Signalling

Features

- V.22, Bell 212A, 1200/1200 or 600/600 bps DPSK
- V.23 1200/75, 1200/1200, 75, 1200 bps FSK
- Bell 202 1200/150, 1200/1200, 150, 1200 bps FSK
- V.21 or Bell 103 300/300 bps FSK
- Tx and Rx DTMF and Audio Tones
- Software and Hardware Compatible with CML's CMX868A
- 'Powersave' Standby Mode
- Supply Requirement Range: 2.7 to 5.5 V

The CMX867A is a multi-standard V.22-based modem for use in telephone based information and telemetry systems. Control of the device is via a simple high speed serial bus, compatible with most types of μ C serial interface. The data transmitted and received by the modem is also transferred over the same serial bus. On-chip programmable Tx and Rx USARTs meeting the requirements of V.14 are provided for use with asynchronous data and allow unformatted synchronous data to be received or transmitted as 8-bit words.

It can transmit and detect standard DTMF and modem calling and answer signals or user-specific programmed single or dual tone signals. A general purpose call progress signal detector is also included.

Flexible line driver and receive hybrid circuits are integrated on chip, requiring only passive external components to build a 2- or 4-wire line interface.

The device also features a hook switch relay drive output and a ring detector circuit which continues to function when the device is in the powersave mode, providing an interrupt which can be used to wake up the host μ Controller when line voltage reversal or ringing is detected.

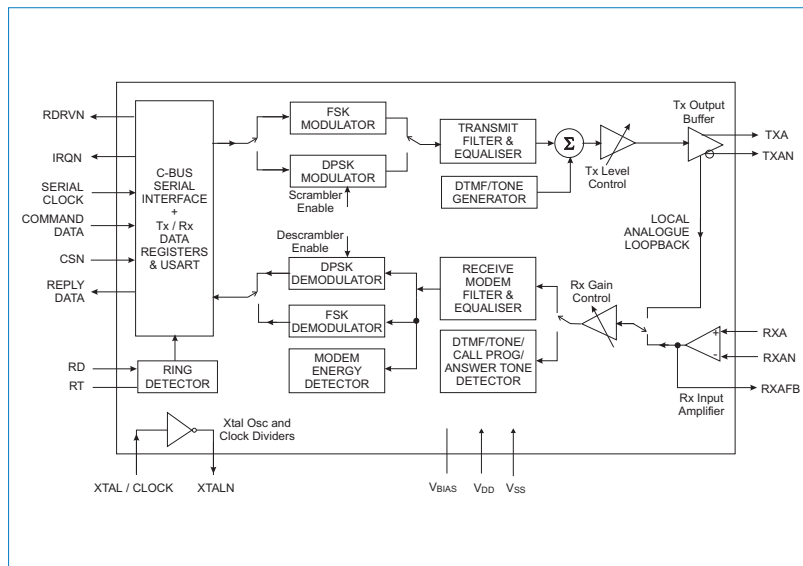
Applications

- Telephone Telemetry Systems
- Remote Utility Meter Reading
- Security Systems
- Industrial Control Systems
- Electronic Cash Terminals
- PayPhones
- Set-Top Boxes

Analogue Two-way Radio and Digital PMR/LMR

Wireless Data

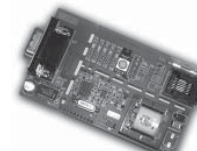
Marine Safety and Comms



Packages	
CMX867AD2	24-pin SOIC
CMX867AE2	24-pin TSSOP
Operating Temperature -40 to +85 °C	

Support

- EV8600 EvKit
- DE8681 DemoKit



Brief CMX867A Technical Basics

	min	typ	max	
■ Typical Supply Current at 3.0V Powersave Mode	-	3.0	6.0	mA
■ DTMF/Single Tone Tx Tone Frequency Accuracy	-0.2	-	0.2	%
■ Transmit Output Level Modem and Single Tone Modes	-4.0	-3.0	-2.0	dBm
DTMF: Low Group Tones	-2.0	-1.0	0	dBm
DTMF: Level of High Group Tones (wrt low group)	-1.0	-	1.0	dB

Digital Voice

Custom

Embedded

Wireline Data

CMX868A Low Power V.22 bis Modem

V.22 bis and Multi-Standard Data Capabilities

Features

- V.22 bis Compatible Modem
 - V.22 bis 2400/2400 bps
 - V.22 and Bell 212A 1200/1200 bps
 - V.23 1200/75, 1200/1200, 75, 1200 bps
 - Bell 202 1200/150, 1200/1200, 150, 1200 bps
 - V.21, Bell 103 300/300 bps
- Software Adjustable Rx and Tx Levels
- Simple Serial Control/Data Interface
- Answer/Originate Tone Detector/Generator
- Call-Progress Tone Detection
- Integrated DTMF Encoder and Decoder
- Line Reversal Ring Detector/Off-Hook Relay Driver and On-Chip Line/Hybrid
- **Supply Requirement Range:** 2.7 to 5.5 V

Applications

- Telephone Telemetry Systems
- Remote Utility Meter Reading
- Security Systems
- PayPhones
- Set-Top Boxes
- Industrial Control Systems
- Electronic Cash and Vending Machines

The CMX868A V.22 bis modem is ideal for use in any telephone based information and telemetry system. Using V.22 bis signalling, fast call set up times and robust error resistant transmission can be implemented by efficient low power circuits. The device uses low geometry CMOS techniques to provide multi-mode operation with very low power requirements.

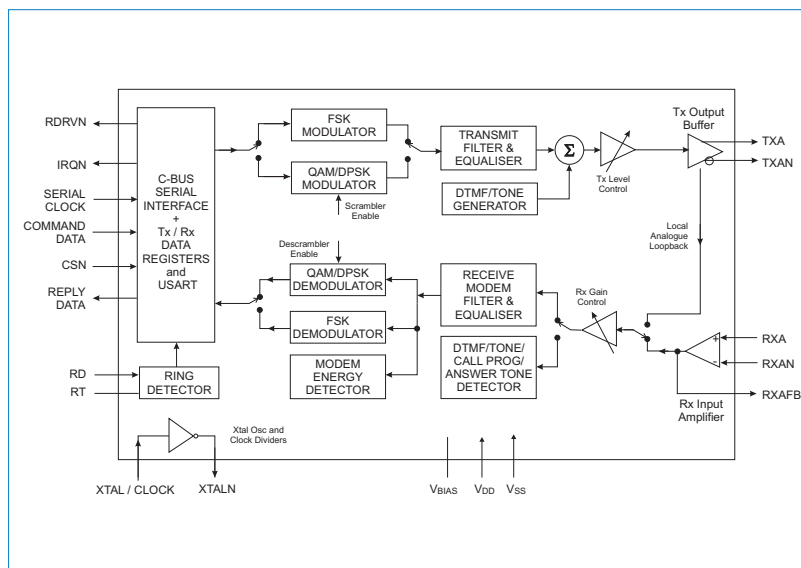
The circuit can operate with full duplex operation at 2400/1200/300 bps over 2- or 4-wire circuits. Control of the device is via a simple high speed synchronous serial bus. This allows easy interfacing to a host μ Controller. The data to be transmitted and that received by the modem is also downloaded over the same high speed serial bus. This ensures a very efficient hardware implementation in systems with a host μ Controller. A V.22 bis/V.22 compatible data randomiser and UART function is included in the device.

The integrated DTMF encoder/decoder can be used as part of the dial-out function to enable the host μ Controller to set-up a data call easily. All 16 DTMF tone combinations are available along with encoder of a single tone 'melody' mode. A high current drive output is provided to drive an external 'off hook' relay. To allow simple line interfacing the device includes an on chip line hybrid driver.

The 'answer', 'originate' generators/detectors and call progress tone detectors included on the device make the set-up of the telephone call a simple matter for the host μ Controller.

In many data collection and telemetry systems power consumption is of critical importance. This device features a 'Zero Power' standby mode. While in standby the device may be automatically activated by a ringing voltage or line voltage reversal input to the Ring/Line reversal detector.

The very low power requirement of the device makes it ideally suited to applications which draw their power from the telephone line itself. On exiting from the 'Zero power' standby mode the device will generate an interrupt signal. This can be used to wake the host μ Controller allowing it to service the incoming data call.

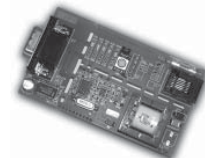


Packages

CMX868AD2	24-pin SOIC
CMX868AE2	24-pin TSSOP
Operating Temperature -40 to +85 °C	

Support

- EV8600 EvKit
- DE8681 DemoKit



Brief CMX868A Technical Basics

	min	typ	max	
■ Typical Supply Current at 3.0V Powersave	-	3.0	6.0	mA
■ DTMF/Single Tone Tx Tone Frequency Accuracy	-0.2	-	0.2	%
■ Distortion	-	1.0	2.0	%
■ Tx Output Level				
Modem and Single Tone Modes	-4.0	-3.0	-2.0	dBm
DTMF Mode; Low Group Tones	-2.0	-1.0	0	dBm
■ Rx Modem (FSK, DPSK and QAM Modes)				
Signal Level	-45.0	-	-9.0	dB
■ Rx Call-Progress Bandwidth	275	-	665	Hz

Wireline Data Products

RF

CMX869B Low Power V.32 bis Modem

V.32 bis and Multi-standard Data Capabilities

Features

- Full Duplex V.32 bis and V.32:
 - V.22 bis, V.22/Bell 212A, V.23/Bell 202, V.21/Bell 103
- Dual and Single Tone Generation (DTMF and Answer tones)
- Dual and Single Tone Detection (DTMF, Call Progress, Answer tones)
- Line Reversal and Ring Detection
- Low-Power Requirement with Powersave
- Supply Requirement Range: 3.0 to 3.6 V

Applications

- Voice-over-IP (VoIP) PayPhones
- Telemetry and Remote Meter Reading Systems
- Security Systems
- Cash and Business Terminals
- Set-Top Boxes
- E-mail Terminals and Internet Appliances

The CMX869B, a V.32 bis modem, is targeted at communications terminals which do not need V.90 data rates or have low-power requirements which preclude high-speed operation. The maximum speed of 14.4kbps will meet the requirements of many mid-range applications, while the low operating and very low standby currents are attractive for battery powered terminals.

The ring/line reversal detection circuit which is operational in the standby mode further conserves power by allowing the host microcontroller to switch to a low power mode when not in use. A relay drive output is available, which, once again, reduces host I/O requirements.

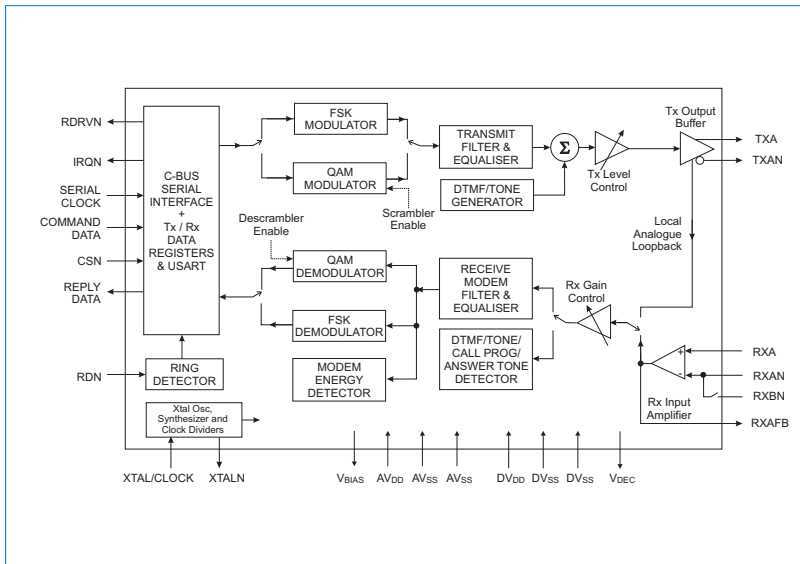
The interface to the host controller is a C-BUS serial link running at 150kbps. All data transfers pass through this link including access to the modem control and status registers. V.42 is supported by the provision of HDLC (programming option) to generate frames and CRCs, and to detect transmission errors.

The CMX869B can transmit and detect standard DTMF and modem calling/answering signals or user-programmed single or dual tone signals. A general purpose call progress signal detector is also included. Flexible line-driver and receive hybrid circuits are integrated on-chip, requiring only passive external components to build a 2- or 4-wire line interface.

Analogue Two-way Radio and Digital PMR/LMR

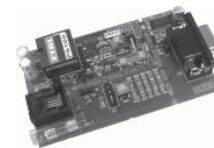
Wireless Data

Marine Safety and Comms



Packages	
CMX869BD2	24-pin SOIC
CMX869BE2	24-pin TSSOP
Operating Temperature -40 to +85 °C	

- Support**
- DE8691 DemoKit



Digital Voice

Custom

Embedded

Brief CMX869B Technical Basics

	min	typ	max	
■ Typical Supply Current at 3.3V	-	8.6	13	mA
Reset	-	3.0	5.0	mA
Powersave	-	20	100	µA
■ Tx Output Level				
Modem and Single Tone Modes	-1.5	-0.5	0.5	dBm
DTMF Mode; Low Group Tones	0.5	1.5	2.5	dBm
DTMF Mode; High Group Tones wrt Low Group	1.0	2.0	3.0	dB
■ Rx Call-Progress Energy Detector				
Bandwidth (-3.0dB)	275	-	665	Hz

Wireline Data

RF

Wireline Data Products

Analogue Two-way Radio
and Digital PMR/LMR

Wireless
Data

Marine Safety
and Comms

Digital Voice

Custom

Embedded

Wireline Data

Wireline Telephony Products

NOTES

RF

Analogue Two-way Radio
and Digital PMR/LMR

Wireless
Data

Marine AIS
and VHF

Digital Voice

Custom

Embedded

Wireline Telephony

Wireline Telephony Products

Telephony Products by Function

	Call Progress	CLI/CIDCW	SPM	VMWI	Digital Amplifiers	V.23/Bell 202	DTMF/Tones	Line Driver	DAA	Page No.
MX019 Digitally Controlled Quad Amp Array					•					94
FX/MX029 Dual Digitally Controlled Amplifier Array					•					95
CMX602B Calling Line Identifier plus Call Waiting		•				•		•		96
CMX605 Digital-to-Analogue (POTS) Signalling Interface - with DTMF Codec		•	•			•	•		•	97
CMX612 Calling Line ID plus Dial Tone Decode for Voice Message Waiting Indicator (VMWI)		•		•		•		•		98
CMX631A SPM Detector			•							99
CMX641A Dual SPM Detector plus Payphone Security			•							100
CMX673 Call Progress Tone Decoder	•									101
CMX683 Call Progress and "Voice" Detector	•									102

• available function

Voice, signalling and ISDN products for wireline applications. Analogue, digital and mixed-mode (POTS-to-ISDN) products are available singularly or in multi-feature combinations.

Wireline Telephony Products

RF

MX019 Digitally Controlled Quad Amplifier Array

Four Channels of Gain Control via Serial Data

Analogue Two-way Radio and Digital PMR/LMR

Features

- Four Digitally Controlled Low-noise Amplifiers
- Fifteen Gain/Attenuation Steps
- Three Trimmers, each with a $\pm 3\text{dB}$ Range in 0.43dB Steps
- One 'Volume' Trimmer with a $\pm 14\text{dB}$ Range in 2.0dB Steps
- 8-bit Serial Data Control
- Output Mute Function
- Supply Requirement Range: 4.5 to 5.5 V

Applications

- PMR and Cellular Communications Systems
- Automatic and Manual Test Equipment
- Remote Gain Adjustment
- Telephone Audio Settings
- Medical Equipment
- Audio and Data Gain Setting

The MX019 Digitally Adjustable 'Quad' Amplifier Array is available to replace trimmer potentiometers and volume controls in cellular, PMR, telephony and communications applications where d.c., voice or data signal levels need adjustment.

The MX019 is a single-chip LSI consisting of four digitally controlled amplifier stages, each with fifteen distinct gain/attenuation steps. Control of each individual amplifier is by an 8-bit serial data stream.

Three of the amplifier stages each offer a $\pm 3\text{dB}$ range in steps of 0.43dB, whilst the remaining amplifier offers a $\pm 14\text{dB}$ range in steps of 2dB, and is suggested for volume control applications. Each amplifier includes a 16th 'Off' state which when applied mutes the output audio from that channel.

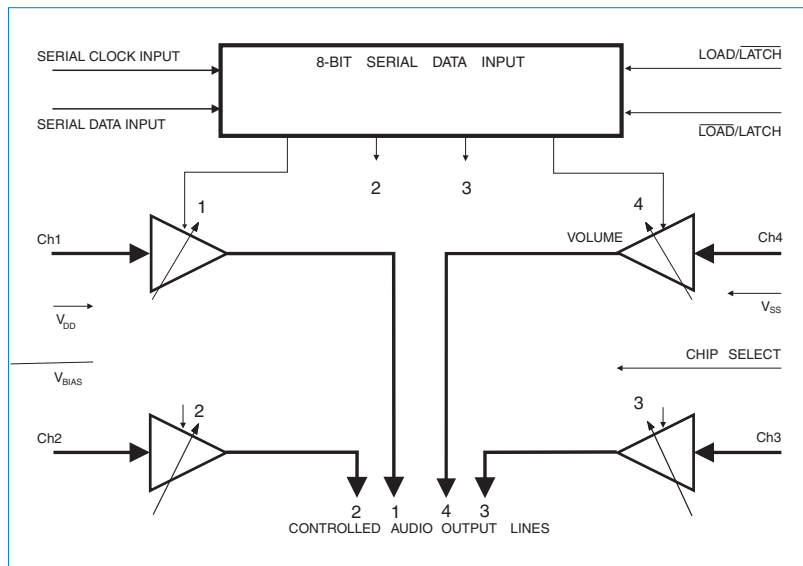
Using a Chip Select input to select one of many devices in a system, this product replaces the need for manual trimming of audible signals by using the host microprocessor to digitally control the set-up of all audio levels during development, production/calibration and operation.

Applications include:

- Control, adjustment and set-up of communications equipment by an Intelligent ATE without manual intervention eg. deviation, microphone and loudspeaker levels, Rx audio level.
- Automatic dynamic compensation of drift caused by variations in temperature, linearity.
- Fully automated servicing and re-alignment.

Wireless Data

Marine AIS and VHF



Packages		
MX019DW	(D4)	16-pin SOIC
Operating Temperature		-40 to +85 °C

Digital Voice

Custom

Embedded

Brief MX019 Technical Basics

	min	typ	max	
■ Typical Supply Current at 5.0V		1.5		mA
■ Amplifier Stages (general)				
■ Bandwidth (-3dB)	20.0	-	-	kHz
■ Gain Range of Trimmer Stages (Ch1 to Ch3)		-3.0 to 3.0		dB
■ Gain per Step (15 steps)	-	0.43	-	dB
■ Gain Range of Volume Stage (Ch4)		-14.0 to 14.0		dB
■ Gain per Step (15 steps)	-	2.0	-	dB

Wireline Telephony

Wireline Telephony Products

FX029 Dual Digitally Controlled Amplifier Array MX029 *Two Channels of Gain Control via Serial Data*

Features

- Two Digitally Controlled Low-noise Amplifiers
- Gain/Attenuation Range of $\pm 48\text{dB}$
- Gain/Attenuation Levels Set by Serial Interface
- Separate Fixed-gain Uncommitted Amplifier
- Supply Requirement Range: 4.5 to 5.5 V

Applications

- PMR and Cellular Communications Systems
- Automatic and Manual Test Equipment
- Remote Gain Adjustment
- Telephone Audio Settings
- Medical Equipment
- Audio and Data Gain Setting

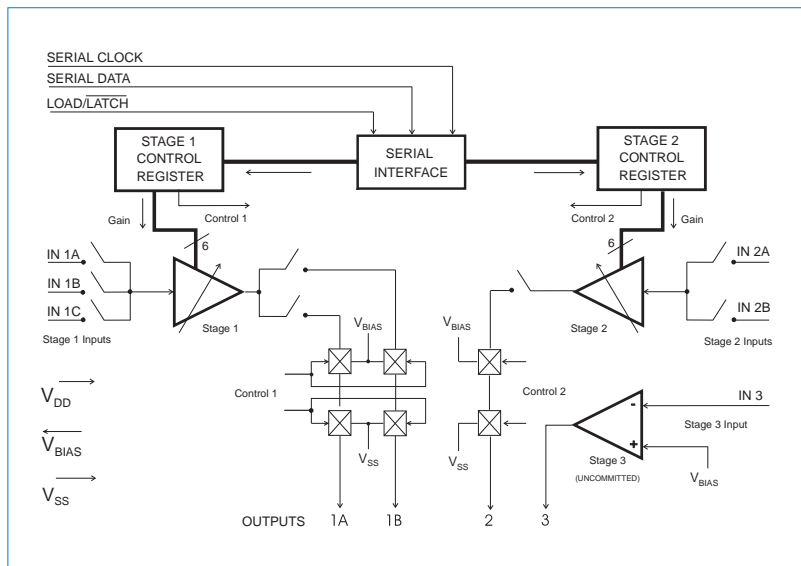
The FX/MX029 single-chip Dual Digitally Controlled Amplifier Array can replace manual audio-level controls in most electronic applications including radio and line communications systems. The FX/MX029 comprises two digitally controlled gain and attenuation stages, with each stage having 48 distinct gain steps (range: between -48dB and $+48\text{dB}$ in 2dB steps) plus a mute state to powersave the addressed section. Minimum current drain results from muting both sections.

Both gain stages have selectable inputs. This switching allows for selection of three different input signals to stage 1 and two to stage 2.

Stage 1 also provides output switching. In addition to the two digitally controlled gain stages, there is a general purpose, uncommitted inverting amplifier (stage 3); the gain of this particular amplifier is component controlled externally using negative feedback.

Control of each gain stage section is accomplished through the serial interface.

All switching is accomplished using controlled rise and fall times, thereby ensuring no annoying transients (clicks or pops).



Packages

FX029D5	24-pin SSOP
MX029DW (D4)	16-pin SOIC
MX029TN (E2)	24-pin SSOP

Operating Temperature -40 to $+85\text{ }^{\circ}\text{C}$

Brief FX/MX029 Technical Basics

	min	typ	max	
■ Typical Supply Current at 5.0V Mute	-	3.0	-	mA
■ Amplifier Stages (general)	-	100	-	μA
■ Bandwidth (-3dB)	3.3	-	-	kHz
■ Gain of Stages (Ch1 and Ch2)	46	48.0	-	dB
■ Gain/Attenuation Step Size	-	2.0	-	dB/step

Wireline Telephony Products

RF

CMX602B Calling Line Identifier plus Call Waiting

On and Off Hook CLI and CIDCW

Analogue Two-way Radio and Digital PMR/LMR

Features

- CLI and CIDCW Detector with:
 - 'Zero-Power' Ring or Line Polarity Reversal Detector
 - V.23/Bell 202 FSK Demodulator with Data Retiming Facility
 - Dual Tone Alert Detector
 - On and Off-hook Operation
- Meets Bellcore, British Telecom and ETSI 'CLI and CIDCW' Specifications
- μ C Interrupt/Wake-Up Output to Minimise System Operating Power
- **Supply Requirement Range:** 2.7 to 5.5 V

The CMX602B is a low power CMOS product for the reception of the physical layer signals used in BT's Calling Line Identification Service (CLIP), Bellcore's Calling Identity Delivery System (CID), the Cable Communications Association's Caller Display Services (CDS), and similar evolving systems. It also meets the requirements of Caller Identity with Call Waiting services (CIDCW).

The device includes a 'zero-power' ring or line reversal detector, a dual-tone (2130Hz plus 2750Hz) Tone Alert Signal and a 1200-baud FSK V.23/Bell 202 compatible asynchronous data demodulator with a data retiming circuit which removes the need for a UART in the associated μ Controller.

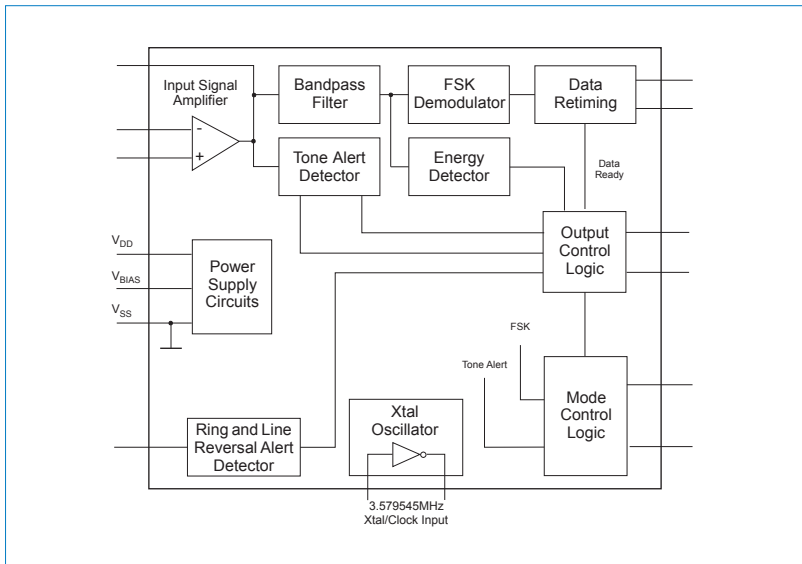
The CMX602B is suitable for use in systems to BT specifications SIN227 and SIN242, Bellcore GR-30-CORE and SR-TSV-002476, CCA TW/P&E/312, ETSI ETS 300 659 parts 1 and 2 and ETS 300 778 parts 1 and 2.

Wireless Data

Applications

- Calling Line ID and Call Waiting Systems
- Adjunct Boxes
- Computer Security Systems
- Call Monitoring
- Computer Billing Systems
- Telephone Based Utility Metering
- No-Ring Calling

Marine AIS and VHF



Packages	
CMX602BD4	16-pin SOIC
CMX602BE4	16-pin TSSOP
CMX602BP3	16-pin PDIP
Operating Temperature -40 to +85 °C	

Digital Voice

Custom

Embedded

Brief CMX602B Technical Basics

	min	typ	max	
■ Typical Supply Current at 3.0V Powersave (ZP)	-	500	-	μ A
	-	0.02	10.0	μ A
■ Tone Alert Detector				
Low Tone Frequency	-	2130	-	Hz
High Tone Frequency	-	2750	-	Hz
■ FSK Receiver				
Data Rate: V.23, Bell 202	1188	1200	1212	Baud
■ Acceptable Signal-to-Noise Ratio				
V.23	20.0	-	-	dB
Bell 202	30.0	-	-	dB

Wireline Telephony

Wireline Telephony Products

CMX605 Digital-to-Analogue (POTS) Signalling Interface with DTMF Codec

Signalling and Data from Digital-to-Analogue Telephone Systems

Features

- Full, Global Call Progress Tonesets
- CIDCW Alert Signals (CAS Tones)
- DTMF Encode and Decode to CEPT Specifications
- Programmable Ringing Signals
- 12kHz and 16kHz Metering Pulse Generation
- Modem/Fax: Answer and Originate Tones
- CCITT R1 and R2 Tone Generation
- 'Soft-Start' to Final Level Adjustment
- V.23/Bell 202 FSK Encoder with On-chip UART
- Serial Control Interface
- On-Chip Summing Amplifier
- **Supply Requirement Range: 2.7 to 5.5 V**

The CMX605 is an integrated telecom tone generator and DTMF encoder/decoder designed for ISDN interfaces, Wireless Local Loop and Analogue-to-Digital telephone conversion systems.

The tone generator covers an extensive range of pre-programmed tones used in analogue telephone systems (POTS).

Three outputs are provided: 'Ringing signals', 'In-band tones or FSK data' and '12kHz/16kHz Metering pulses'.

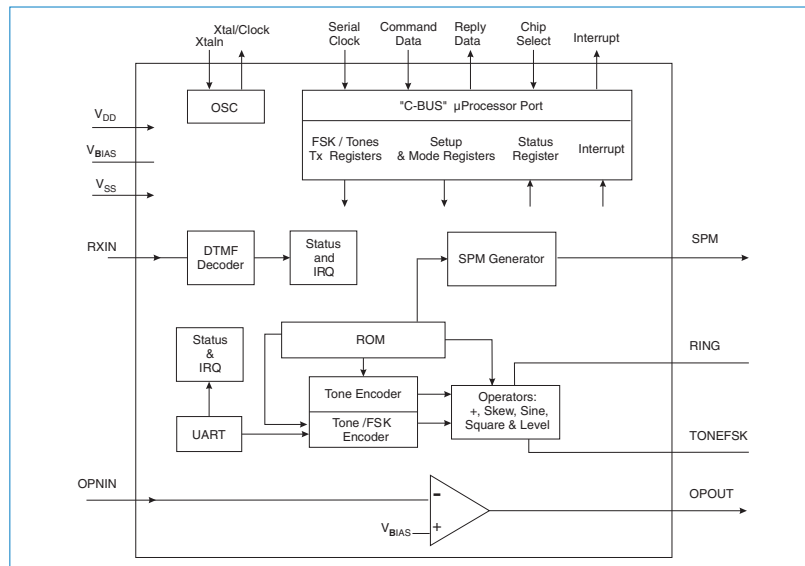
Simple software control facilitates the interface to a wide range of commonly used μ Cs and SLICs, enabling a comprehensive analogue telephone line presentation.

The DTMF encoder/decoder presents the digital line interface with DTMF dialling information received from the telephone user and generates the appropriate DTMF tones for the POTS interface. DTMF tone pairs can be encoded along with each tone singly or with other dual tone signals, such as those used in CIDCW systems and 'On Hook' signalling systems.

Other tone standards supported are: Fax and modem 'answer' and 'originate', ITU (CCITT) 'R1' and 'R2' signals, and sufficient tones for simple melody generation. Communication to and from the host μ Controller is performed by a C-BUS serial interface, which is compatible with the 'SPI' interface.

Applications

- Wireless Local Loop
- ISDN Terminal Adapters
- FeaturePhones
- PBX Installations



Packages

CMX605D4 16-pin SOIC
Operating Temperature -40 to +85 °C

Brief CMX605 Technical Basics

	min	typ	max	
■ Typical Supply Current at 3.3V Powersave	-	3.5	-	mA
■ Tone FSK Output Level	-	-	10.0	μA
Single Tone	-1.0	0	1.0	dBm
Dual Tone (per tone)	-4.0	-3.0	-2.0	dBm
DTMF High	-4.0	-3.0	-2.0	dBm
DTMF Low	-6.0	-5.0	-4.0	dBm
■ Tone Frequency Resolution	-2.0	-	2.0	Hz
■ SPM Tone Frequency Accuracy	-14.0	-	14.0	Hz
DTMF Decoder				
Tone Response Time	-	-	40.0	ms
Tone De-response Time	-	-	45.0	ms

Wireline Telephony Products

RF

CMX612 Calling Line ID plus Dial Tone Decode for VMWI (Voice-Message Waiting Indicator)

CLI, CIDCW and VMWI Decode for Multiple Extension Interworking

Analogue Two-way Radio and Digital PMR/LMR

Features

- Bellcore, British Telecom and ETSI 'CLI and CIDCW' Compatibility
- Tested to Bellcore SR-3004
- 'Stuttered Dial Tone'/CLASS VMWI Detection (BT and Bellcore)
- CLI, CIDCW and VMWI Decoder for Multiple Extension Interworking (MEI)
- Exceptional Talk-Off/Talk-Down Performance
- CPE Alerting Signal Detector
- 'Zero-Power' Ring or Line Polarity Reversal Detector
- V.23/Bell 202 FSK Demodulator with Data Retiming
- Low Power Operation
- μ C Interrupt/Wake-Up Output
- **Supply Requirement Range:** 2.7 to 5.5 V

The CMX612 is a low power CMOS product for the reception of physical layer signals used in British Telecom's Calling Line Identification Service (CLIP), Bellcore's Calling Identity Delivery system (CID), the Cable Communications Association's Caller Display Services (CDS) and similar evolving systems.

In addition, it provides Voice-Message Waiting Indicator (VMWI) detection in both FSK and stuttered dial tone modes. Two different signal inputs are provided to the device, to support Tip/Ring and hybrid connectivity.

The device includes a 'zero-power' ring or line reversal detector, a dual-tone (2130Hz plus 2750Hz) Tone Alert Signal detector, a dual-tone (350Hz plus 440Hz) stuttered dial-tone detector and a 1200baud FSK V.23/Bell 202 compatible asynchronous data demodulator with a data retiming circuit which removes the need for a UART in the associated μ Controller.

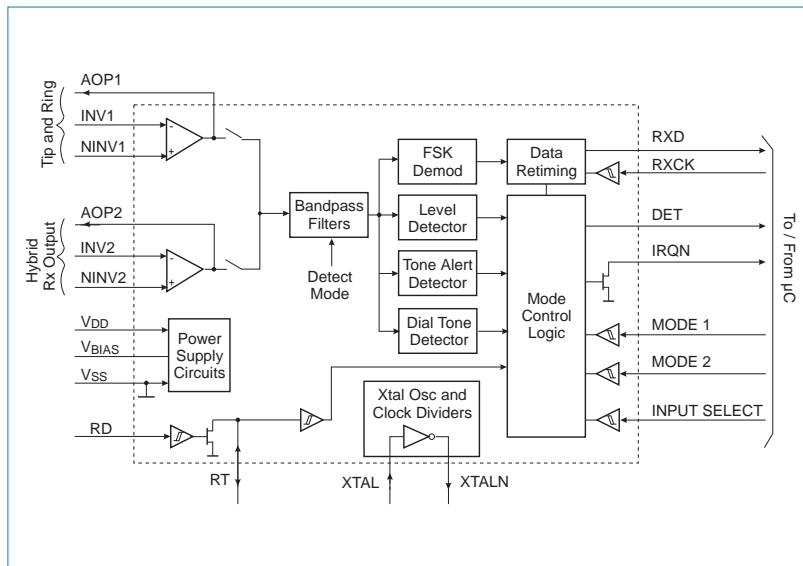
Tested to Bellcore SR-3004 this product is suitable for use in systems operating to BT specifications SIN227 and SIN242, Bellcore GR-30-CORE and SR-TSV-002476, C & E/312, ETSI: ETS 300 659 parts 1 and 2 and ETS 300 778 parts 1 and 2.

Wireless Data

Applications

- CLI and CIDCW Feature Phones and Adjunct Boxes
- Analogue Display Services Interface (ADSI) Units
- Voice-Mail Indication Equipment
- Extension Units for CLI Units
- Computer Telephone Integration
- Call Logging Systems

Marine AIS and VHF



Packages	
CMX612E3	20-pin TSSOP
Operating Temperature	-40 to +85 °C

Digital Voice

Custom

Embedded

Brief CMX612 Technical Basics

	min	typ	max	
■ Typical Supply Current at 3.0V	-	500	-	μ A
■ Powersave	-	0.02	-	μ A
■ Tone Alert Detector				
Low Tone Frequency	-	2130	-	Hz
High Tone Frequency	-	2750	-	Hz
■ FSK Receiver (V.23/Bell 202)				
Input Level Range		-40 to -8.0		dBV
■ Dial Tone Detector				
Low Tone Frequency	-	350	-	Hz
High Tone Frequency	-	440	-	Hz

Wireline Telephony

Wireline Telephony Products

CMX631A SPM Detector

System-selectable Call Charge Metering Detection

Features

- Low Power (3 Volt <1mA) Operation
- Detects 12 and 16 kHz SPM Frequencies
- High Speechband Rejection Properties
- Tone-follower and Packet-mode Outputs
- Supply Requirement Range: 3.0 to 5.0 V

Applications

- Complex and/or Simple Telephone Systems
- Hotel and Office Call-charge/Logging Systems
- Billing Systems
- Public Call Monitoring
- Payphone Systems
- PCMCIA Fax and Data Modems

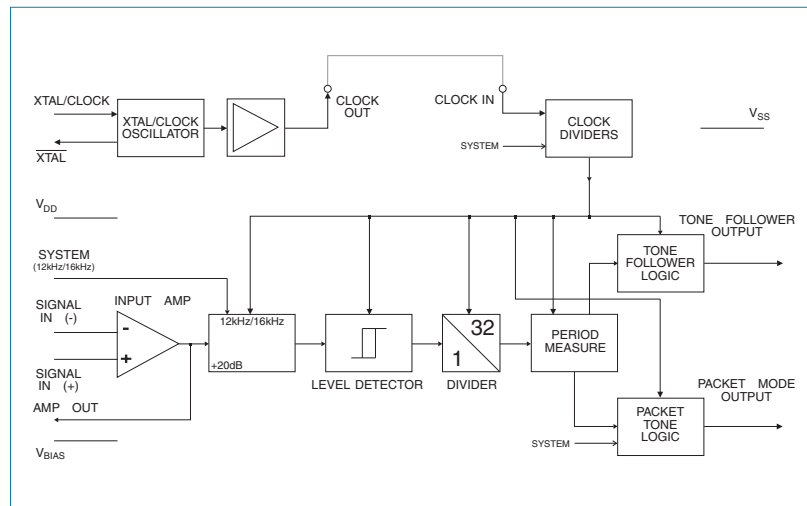
The CMX631A is a low-power, system-selectable Subscriber Pulse Metering (SPM) detector that indicates the presence of either 12 or 16 kHz telephone call-charge frequencies on a telephone line.

Deriving its input directly from the telephone line, input amplitude/sensitivities are component adjustable to the user's national 'Must/Must-Not Decode' specifications via the on-chip input amplifier. The 12 and 16 kHz frequency limits are accurately defined by the use of an external 3.579545MHz telephone-system Xtal or clock-pulse input.

The CMX631A demonstrates exceptional 12 and 16 kHz performance in the presence of both voice and noise.

This device may operate from a single or differential analogue signal input, from which two individual logic outputs will be produced; a Tone Follower Output and a Packet Mode Output.

This system (12/16 kHz) selectable integrated circuit, which may be line-powered, requires a 3.0 to 5.0 V power supply.



Brief CMX631A Technical Basics

	min	typ	max	
Supply Current at 3.0V	-	-	800	μA
12kHz Detect Bandwidth	11.820	-	12.180	kHz
12kHz Not Detect Frequencies (below 12kHz)	-	-	11.520	kHz
12kHz Not Detect Frequencies (above 12kHz)	12.480	-	-	kHz
16kHz Detect Bandwidth	15.760	-	16.240	kHz
16kHz Not Detect Frequencies (below 16kHz)	-	-	15.360	kHz
16kHz Not Detect Frequencies (above 16kHz)	16.640	-	-	kHz
Sensitivity				
V _{DD} = 3.0V	-27.8	-	31.8	dBm
V _{DD} = 5.0V	-23.5	-	-27.5	dBm
Packet Mode				
Reponse and De-response Time	40.0	-	48.0	ms

Packages

CMX631AD4	16-pin SOIC
CMX631AD5	24-pin SSOP
CMX631AP3	16-pin PDIP

Operating Temperature -40 to +85 °C

Wireline Telephony Products

RF

CMX641A Dual SPM Detector plus Payphone Security

System Selectable Call Charge Metering Detectors plus Security Generator/Detector

Features

- Two (12kHz/16kHz) SPM Detectors on a Single Chip
- Independently Selectable 12 and 16 kHz Detect Bandwidths
- 12kHz and 16kHz Tx Tone Generator - can be modulated by ASK
- Xtal Accuracy; Stable Frequency Limits
- "Controlled" (μ C) and "Fixed" Signal Sensitivity Modes
- Selectable Tone-Follower or Packet-Mode Outputs
- High Speechband Rejection Properties
- "Output Enable" Multiplexing Facility
- Supply Requirement Range: 2.7 to 5.5 V

Applications

- PABX Line Cards
- Complex and/or Simple Telephone Systems
- Hotel and Office Call-charge/Logging and Billing Systems
- Wireless Local Loop
- Public Call Monitoring
- Payphone Systems
- PCMCIA Fax and Data Modems

The CMX641A is a low-power, system-selectable dual Subscriber Private Metering (SPM) detector (two detectors on a single chip) to indicate the presence, on a telephone line, of either 12 or 16 kHz telephone call-charge frequencies.

Under μ Processor control via a common serial interface, each channel of the CMX641A will detect call-charge pulses from a telephone line and provide a digital output for recording, billing or security purposes.

A common set of external components and a stable 3.579545MHz Xtal/clock input ensures that the CMX641A adheres accurately to most national 'Must' and 'Must-Not' decode band-edges and threshold levels.

The digital output is pin-selectable to one of three modes:

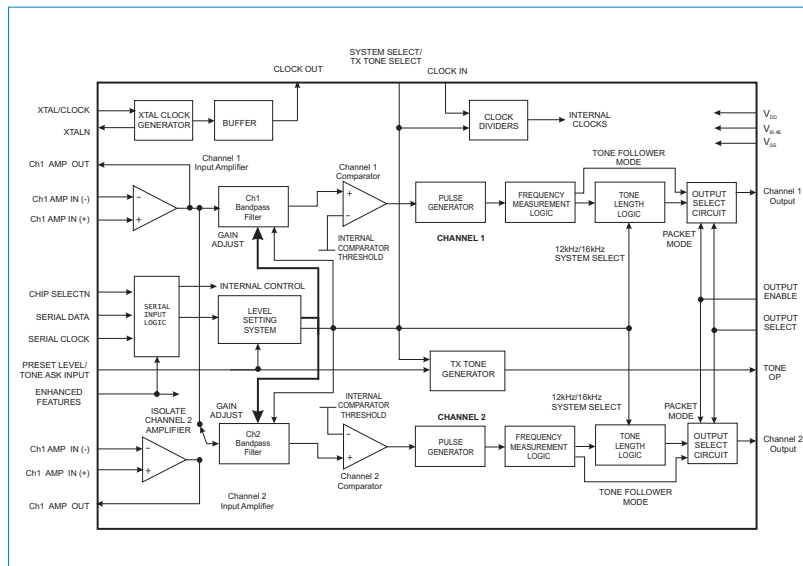
- (1) Tone Follower mode; a logic level for the period of a correct decode.
- (2) Packet mode; respond/de-respond after a cumulative period of tone or notone in a preset period.
- (3) High-impedance output; for device multiplexing.

For non- μ Processor systems a preset sensitivity/system input allows external channel level and system setting.

Analogue Two-way Radio and Digital PMR/LMR

Wireless Data

Marine AIS and VHF



Packages	
CMX641AD2	24-pin SOIC
Operating Temperature	-40 to +85 °C

Brief CMX641A Technical Basics

	min	typ	max	
Typical Supply Current at 3.0 to 3.5 V	-	1.2	-	mA
12kHz Detect Bandwidth	11.820	-	12.180	kHz
12kHz Not Detect Frequencies (below 12kHz)	-	-	11.520	kHz
12kHz Not Detect Frequencies (above 12kHz)	12.480	-	-	kHz
16kHz Detect Bandwidth	15.760	-	16.240	kHz
16kHz Not Detect Frequencies (below 16kHz)	-	-	15.360	kHz
16kHz Not Detect Frequencies (above 16kHz)	16.640	-	-	kHz
Level Sensitivity				
Controlled Sensitivity Mode	2.6	1.6	0.6	dB(ref)
Tone-follower Mode				
Response and De-response Time	-	-	15.0	ms
Tx Output Signal Level	3.0	3.4	3.7	V p-p

Digital Voice

Custom

Embedded

Wireline Telephony

Wireline Telephony Products

CMX673 Call Progress Tone Detector

Simple Low Power Call Progress Detection

Features

- Worldwide Tone Compatibility
- Single and Dual Tones Detected
- Wide Dynamic Signal Range
- Fast Response Time
- Pin-for-pin Compatibility with M980 and TSC 75T980 and SSI980
- 3.58MHz Xtal/Clock Oscillator
- Low Power Operation: 500µA at 3.0V
- **Supply Requirement Range:** 2.7 to 5.5 V

Applications

- Worldwide Payphone Systems
- Telephone Redialling Systems
- Dialling Modems
- Banking and Billing Systems
- Telecom Test Equipment
- Telecom Security Systems

The CMX673 is a general purpose call progress tone detector for use in Public Switched Telephone System (PSTN) applications. Call progress detection allows equipment which dials into the PSTN network to monitor the progress of the resulting call. Ringing, Busy, Not Available and Answer states can be determined.

The CMX673 uses advanced digital signal processing techniques to detect tones in the frequency band 315 to 650 Hz.

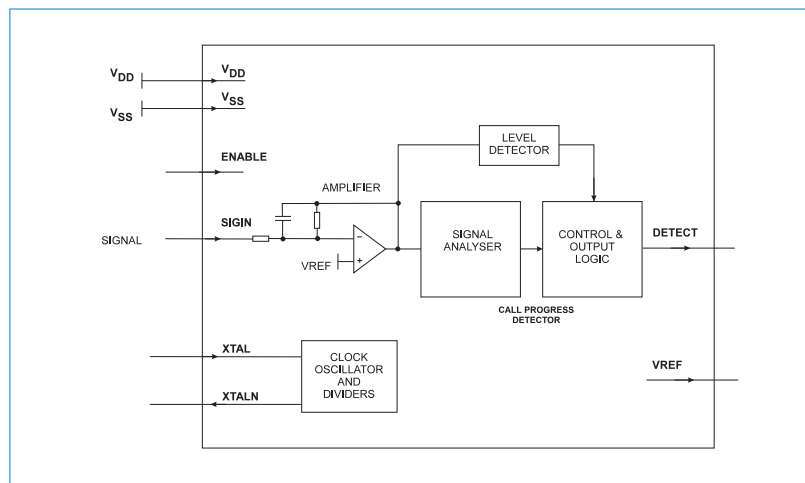
The use of DSP techniques allows the CMX673 to distinguish between valid call progress tone signals and line noise or voice, low false detection rates result; this is in contrast to other call progress detection devices which are based on simple filtering techniques.

The detection timing of the CMX673 allows it to operate with almost any call progress system; in particular the 'stuttered dial tone' of voice mail messaging systems is supported.

The use of digital processing and small geometry CMOS design techniques allows the CMX673 to offer a complete call progress detector which analyses both frequency and amplitude in a single 8-pin package. This, coupled with industry leading performance and substantially lower power supply requirements than comparable devices, demonstrates CML's unique capability in this area.

A single 3.58MHz crystal ensures accurate and repeatable performance. With low power supply requirements the CMX673 can be easily integrated into a wide range of telecom products.

The CMX673 IC is pin-for-pin compatible with the M980 and TSC 75T980 and SSI980. The CMX673, coupled with cadence measurement of the signals detected, can identify virtually all call progress tones used worldwide.



Packages

CMX673D4	16-pin SOIC
CMX673E3	20-pin TSSOP
CMX673P1	8-pin PDIP

Operating Temperature -40 to +85 °C

Brief CMX673 Technical Basics

	min	typ	max	
■ Typical Supply Current at 3.0V	-	500	-	µA
■ Call Progress Band Frequencies				
Must Detect Range	315	-	650	Hz
Must-Not Detect Range	750	-	250	Hz
■ Level Detector				
Must Detect Signal Level	-38.0	-	-	dB
Must-Not Detect Signal Level	-	-	-50.0	dB

Wireline Telephony Products

RF

CMX683 Call Progress and “Voice” Detector

Telephone Call Progress Detection and Voice Discrimination

Features

- Detects Single and Dual Call (DTMF) Progress Tones
- Worldwide Tone Compatibility
- ‘Voice’ Detect Outputs (Fast and Slow Modes)
- Supports Stuttered Dial Tone
- Wide Dynamic Signal Range with Low Falsing
- 3.58MHz Xtal/Clock Oscillator
- Low Power Operation: 600µA at 3.0V
- **Supply Requirement Range:** 2.7 to 5.5 V

Applications

- Worldwide Payphone Systems
- Telephone Redialling Systems
- Auto-dialling Modems
- Banking and Billing Systems
- Telecom Test Equipment
- Telecom Security Systems

The CMX683 is a general purpose Call Progress Tone Detector for use in monitoring the progress of calls in Public Switched Telephone System (PSTN) applications. Dial tone, ringing, Busy and not available states can be distinguished by using the host µC to qualify the cadence of the CP DETECT output.

The CMX683 uses advanced digital techniques to characterise valid call progress tones, unwanted tones, line noise and voice or music signals. In contrast to call progress detection devices based on simple filtering techniques, the CMX683 offers excellent sensitivity coupled with low false detection rates.

The response time of the CMX683 allows it to operate with almost any call progress system. In particular the ‘stuttered dial tone’ of voice mail messaging systems is supported. The use of statistical processing techniques, which analyse signal frequency, duration and amplitude, enable the CMX683 to distinguish voice or music activity from DTMF or call progress signals. Separate outputs integrate the “voice” activity over both shorter and longer periods, enabling payphone and other billing systems to commence charging when a line connection has been established.

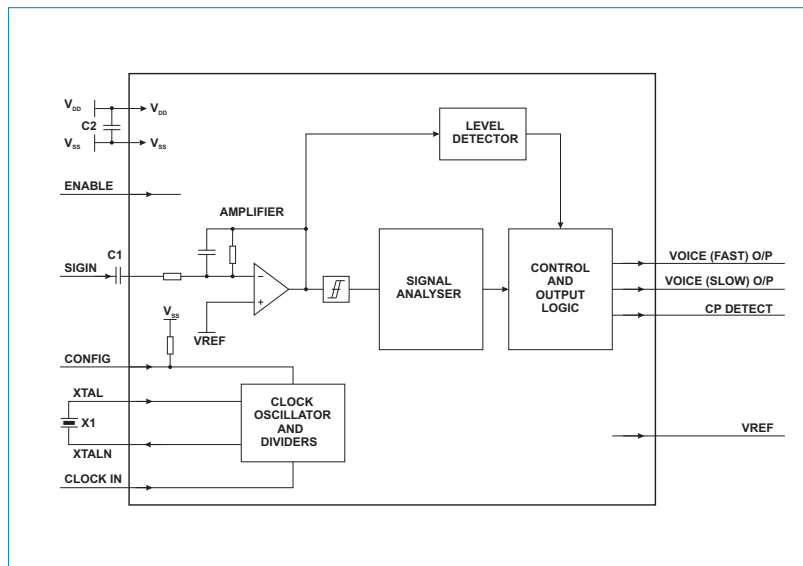
A single 3.58MHz crystal ensures accurate and repeatable performance. With supply requirements between 2.7 and 5.5 V and a low current consumption, the CMX683 can be easily integrated into a wide range of telecom equipments.

The CMX683 has a similar pinout to many other commonly used call progress detectors and is available in plastic PDIP, TSSOP or SOIC packages.

Analogue Two-way Radio and Digital PMR/LMR

Wireless Data

Marine AIS and VHF



Packages	
CMX683D4	16-pin SOIC
CMX683E4	16-pin TSSOP
CMX683P1	8-pin PDIP
Operating Temperature	-40 to +85 °C

Digital Voice

Custom

Embedded

Brief CMX683 Technical Basics

	min	typ	max	
■ Typical Supply Current at 3.0 V	-	600	-	µA
■ Call Progress Band Frequencies				
Must Detect Range	315	-	650	Hz
Must-Not Detect Range	750	-	250	Hz
■ Level Detector				
Must Detect Signal Level	-38.0	-	-	dB
Must-Not Detect Signal Level	-	-	-50.0	dB

Wireline Telephony

RF

Wireline Telephony Products

Analogue Two-way Radio
and Digital PMR/LMR

Wireless
Data

Marine Safety
and Comms

Digital Voice

Custom

Embedded

Wireline Telephony



**CML Microcircuits
(UK) Ltd**

COMMUNICATION SEMICONDUCTORS

CML Microcircuits (UK) Ltd

Oval Park - Langford - Maldon

Essex - CM9 6WG - England

Tel: + 44 (0)1621 875500

Fax: + 44 (0)1621 875600

e-mail: sales@cmlmicro.com

www.cmlmicro.com



**CML Microcircuits
(USA) Inc.**

COMMUNICATION SEMICONDUCTORS

CML Microcircuits (USA) Inc.

465 Corporate Square Drive

Winston-Salem - NC 27105 - USA

Tel: + 1 336 744 5050

Fax: + 1 336 744 5054

us.sales@cmlmicro.com

www.cmlmicro.com



**CML Microcircuits
(Singapore) Pte Ltd**

COMMUNICATION SEMICONDUCTORS

CML Microcircuits (Singapore) Pte Ltd

150 Kampong Ampat

#05-03A KA Centre

Singapore 368324

Tel: + 65 62888129

Fax: + 65 62888230

e-mail: sg.sales@cmlmicro.com

www.cmlmicro.com