

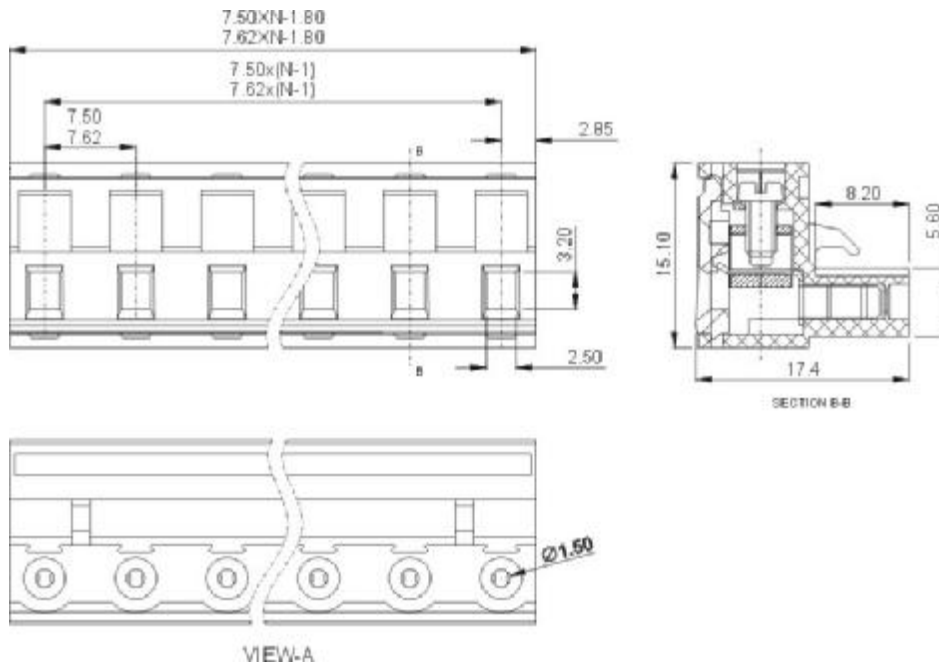


# DEGSON ELECTRONICS CO., LTD.

## Product Specification

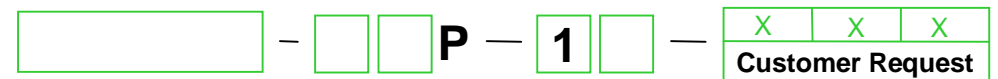


**2EDGK-7.5**  
**2EDGK-7.62**



<b>APPROVAL</b>		
<b>Electrical</b>		
Standard	<b>UL</b>	<b>IEC</b>
Rated voltage	300V	400V
Rated current	15A	20A
Wire range	28-12AWG	2.5mm <sup>2</sup>
Withstanding voltage	AC2500V/1Min	
<b>Mechanical</b>		
Torque	0.4Nm(3.5Lb-In)	
Ambient temperature	-40°C~+105 °C	
Strip length	7mm	
<b>Dimensions</b>		
Pitch	7.5mm(.295" ) 7.62mm(.300" )	
Poles	2P-12P	
<b>Material</b>		
Housing	PA66,UL94 V-0	
Screws	M2.5,Steel, Cr <sup>3+</sup> Zn-plated	
Contact	Phosphor bronze	
Cage	Brass,Ni-plated	

### HOW TO ORDER :



Series number

No. of pole

1	Single pitch
2	Double pitch

#### Color

1	Grey	4	Green	7	Trans Parent
2	Blue	5	Orange	8	Yellow
3	Black	6	Red	9	White

	<b>DEGSON ELECTRONICS CO., LTD.</b>
	<b>NAME</b> <b>2EDGK-7.5 2EDGK-7.62</b>