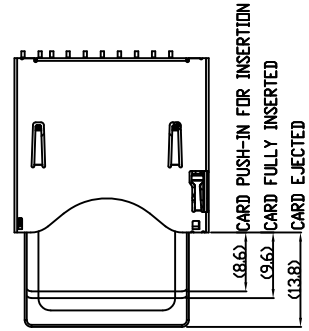


Card detection switch		Write protection switch		
When card is ejected	When card is inserted	When card is ejected	When card is inserted	When card is inserted
OPEN	CLOSE	OPEN	WRITE PROTECT	WRITE ENABLE
Sb Sc	Sb Sc	Sa Sc	Sa Sc	Sa Sc



ITEM	PART NAME	Q'TY	MATERIAL
1	BODY	1	LCP+35%GF
2	SLIDER	1	LCP+35%GF
3	CONTACT	1	C5210R-EH
4	SWITCH A	1	C5210R-EH
5	SWITCH C	1	C5210R-EH
6	HOLD DOWN	1	C5191R-H
7	LATCH	1	SUS304R-3/4H
8	SHELL	1	SUS304R-3/4H
9	DRAG LINK	1	SUS
10	SPRING	1	PIANO WIRE

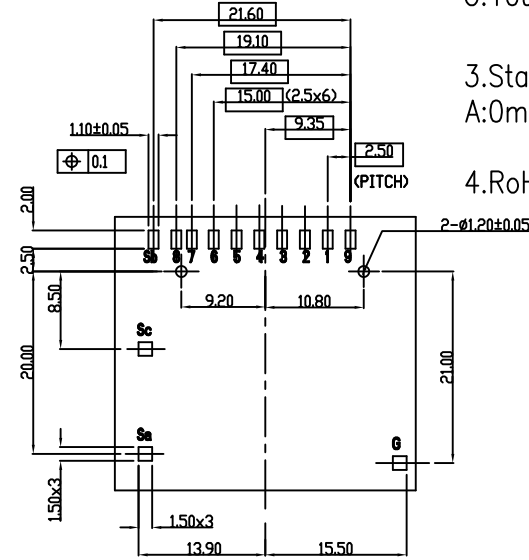
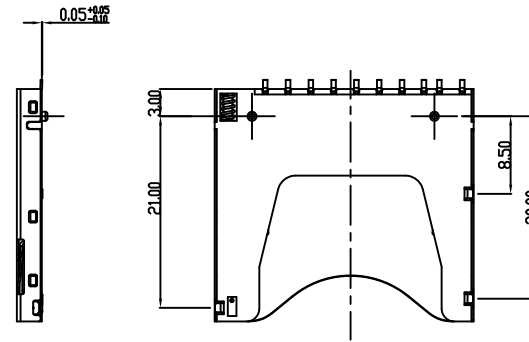
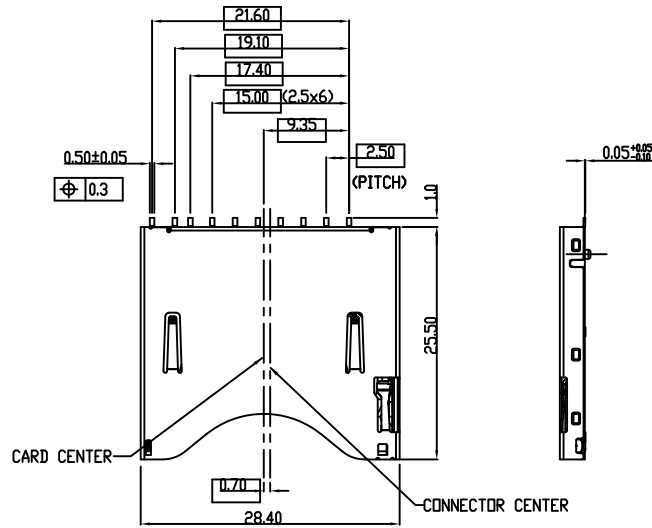
104D-T C A 0-R03  
1 2 3 4

1.Type  
T:TOP Mount

2.Contact Plating  
C:10u"Gold Plating

3.Stand Off  
A:0mm

4.RoHS



PIN NO.	PIN ASSIGNMENT	PIN NO.	PIN ASSIGNMENT
1	DAT3/CS/CD	8	DAT1
2	CMD	9	DAT2
3	VSS1	Sa	WRITE PROTECTION
4	VDD	Sb	CARD DETECTION
5	CLK	Sc	COMMON SWITCH
6	VSS2	G	GROUND
7	DAT0		

NOTES:  
ALL MATERIALS AND PLATING SPECIFICATION COMPLY WITH THE GREEN PRODUCT POLICY

REV.	DESCRIPTION	DATE	REV.	DESCRIPTION	DATE	SIZE	REV.	FILE NAME
1			1			A4	1.0	104D-TCA0-R03_B_1

UNLESS OTHERWISE SPECIFIED TOLERANCE		
ANGLES	ANG.	±5°
LINEAR	0.	±0.3
	0.0	±0.25
	0.00	±0.20
SCALE	AS SHOWN	UNIT: mm
DRAWN	Willis	2012/08/03
CHECKED	Angel	2012/08/03
APPROVED	Ken	2012/08/03



www.attend.com.tw  
DRAWN NAME: SD Socket Top Mount, Push-Push Type  
PRODUCT NO. 104D-TCA0-R03  
FILE NAME 104D-TCA0-R03\_B\_1