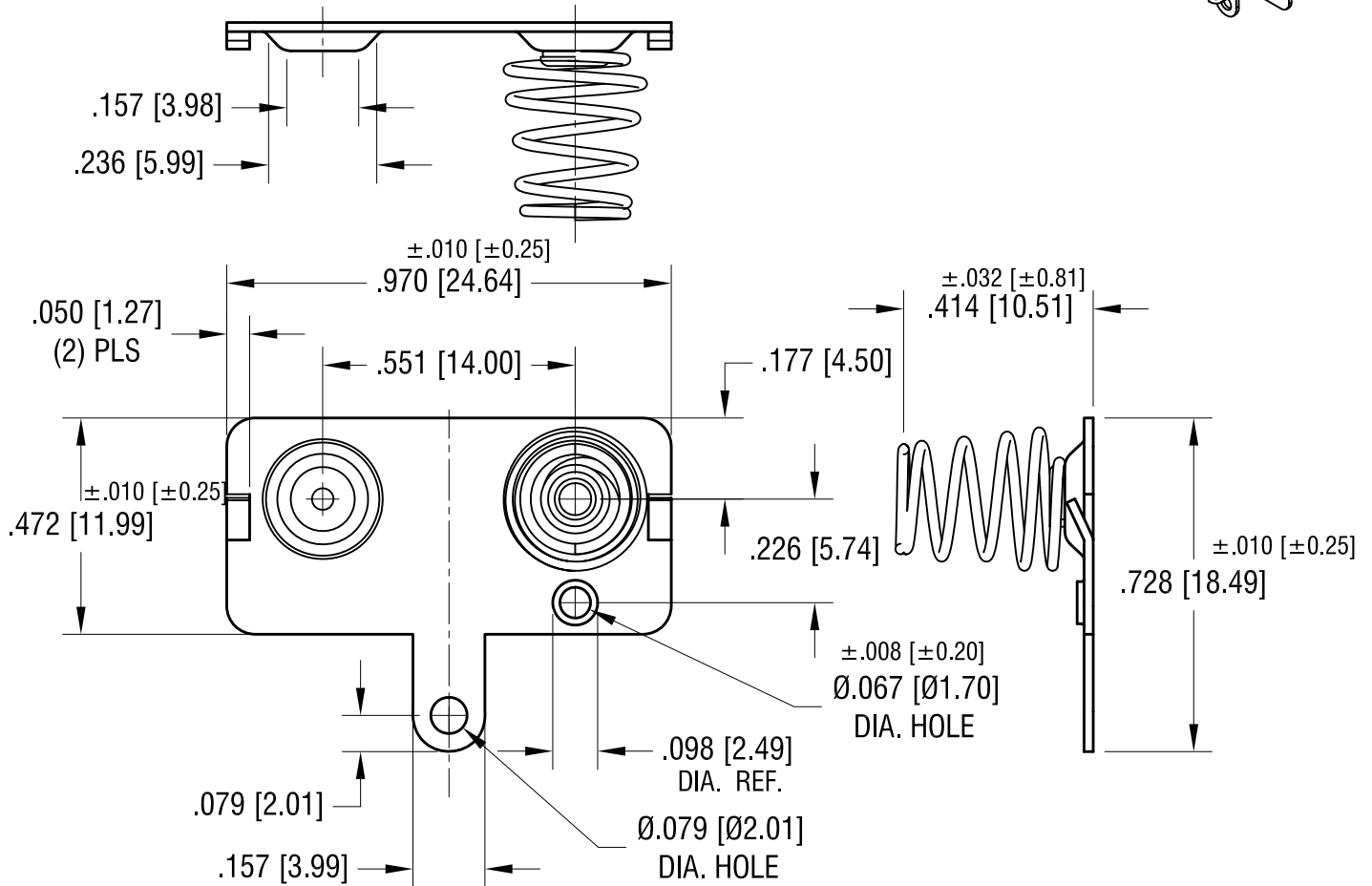
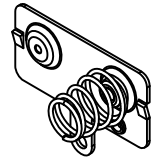


THIS DOCUMENT IS THE PROPERTY OF
KEYSTONE ELECTRONICS CORP. AND
SHALL NOT BE REPRODUCED, DISTRIBUTED
OR USED AS A BASIS FOR MANUFACTURE
WITHOUT PRIOR WRITTEN PERMISSION
FROM KEYSTONE ELECTRONICS CORP.

ACTUAL SIZE



NOTES:

1. BASE:

MAT'L - .020 [0.50] TH'K STEEL

SPRING CONTACT:

MAT'L - .023 [0.58] DIA. MUSIC WIRE

1.30.12	CHANGE AS PER ECN 12-007	A
DATE	DESCRIPTION	REV.

KEYSTONE ELECTRONICS CORP.			
www.keyelco.com • ASTORIA, N.Y. 11105-2017 • Tel (718) 956-8900			
PART NAME 'AA' DUAL M/F BATTERY CONTACT			
MATERIAL AS NOTED			
FINISH AS NOTED		DRN BY NT	DATE 4.01.09
		APP'D LN	SCALE 2.5X
TOLERANCES DECIMAL ANGULAR	INCH [MM] ± .005 [± 0.13] ± 1°	CODE C	DWG NO. 5218
UNLESS OTHERWISE SPECIFIED			