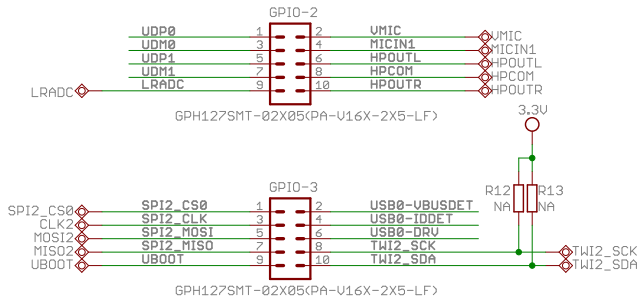
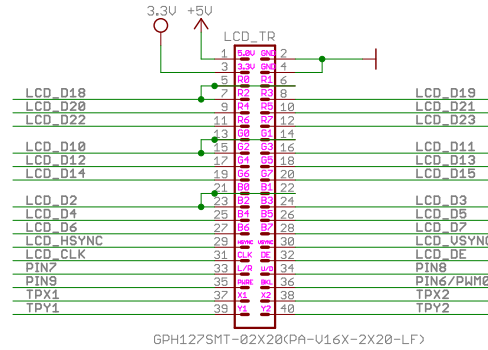


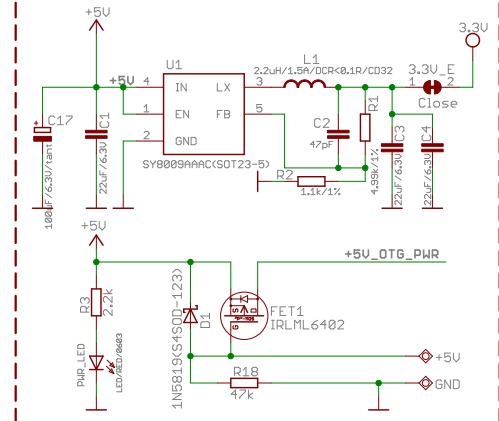
GPIO-2&3 EXTENSION



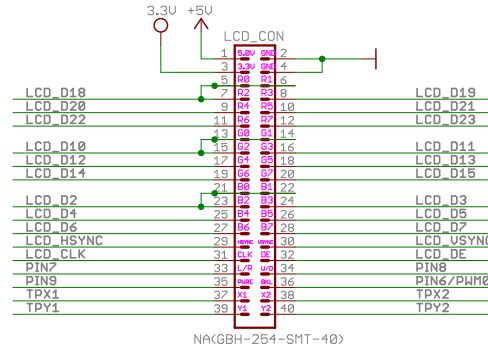
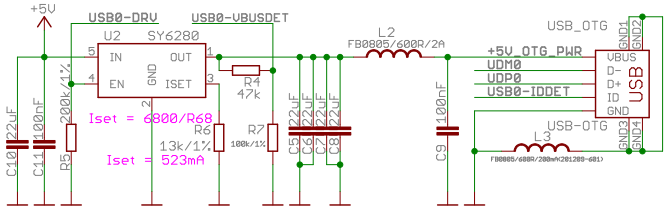
LCD EXTENSION



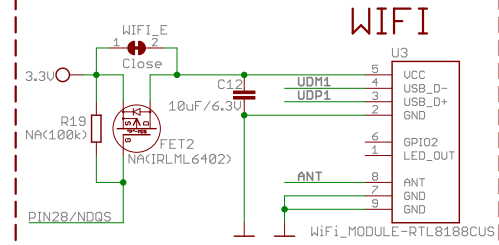
Power Supply



USB-OTG

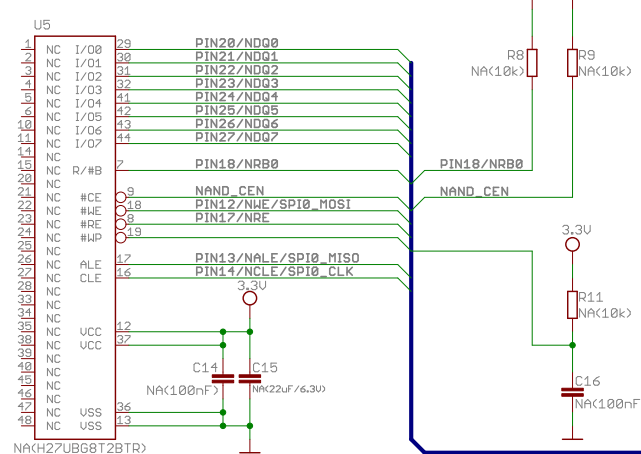


WIFI

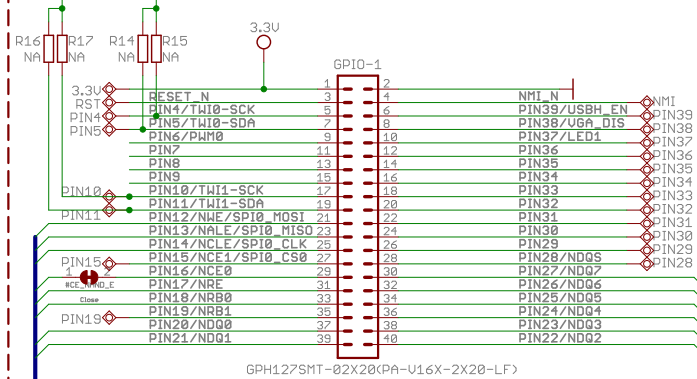


NAND Flash

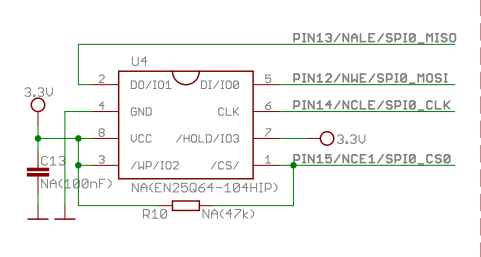
32Gb (4096M x 8bit)



GPIO-1 EXTENSION



SPI Flash Memory



×

TITLE: A13-SOM-WIFI_Rev_B

Document Number:

REV:

Date: 3/31/14 4:31 PM

Sheet: 1/1