

Cree® XLamp® XB Family LEDs



TABLE OF CONTENTS

Bin and Order Code Formats.....	2
Performance Groups – Luminous Flux.....	4
Performance Groups – Radiant Flux	5
Performance Groups – Dominant Wavelength	5
Performance Groups – Forward Voltage	6
Performance Groups – Chromaticity.....	7
Cree’s Standard Chromaticity Regions Plotted on the 1931 CIE Curve	11
Cree’s Standard Cool White Kits Plotted on ANSI Standard Chromaticity Regions	12
Cree’s Standard Warm and Neutral White Kits Plotted on ANSI Standard Chromaticity Regions.....	13
Cree’s PC Amber Kit Plotted on the 1931 CIE Curve.....	14
Cree’s Standard Chromaticity Kits	15
Standard Order Codes and Bins	
XB-D ANSI Cool White.....	16
XB-D Neutral White.....	17
XB-D Warm White	18
XB-D Color.....	21
XB-H ANSI Cool White.....	25
XB-H Neutral White.....	26
XB-H Warm White.....	27

INTRODUCTION

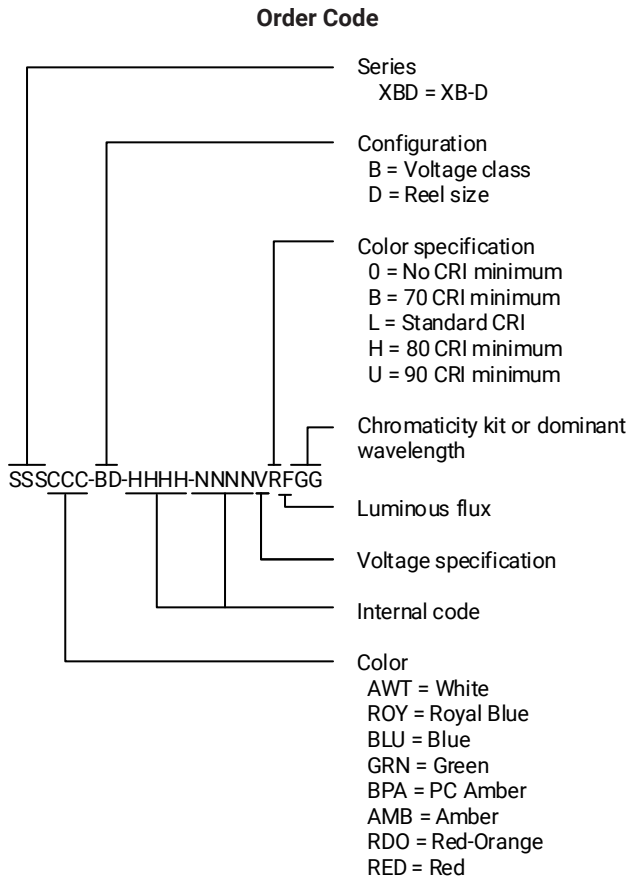
This document describes the product nomenclature required to select and order Cree’s XLamp® XB family LEDs. XLamp XB family LEDs are tested and sorted into bins which are then combined into orderable kits, identified by an order code.

All XLamp LEDs are tested and sorted by color and brightness into a unique bin. Each bin contains LEDs from only one color and brightness group and is uniquely identified by a bin code. White XLamp LEDs are sorted by chromaticity (color) and luminous flux (brightness). Color XLamp LEDs are sorted by dominant wavelength (color) and luminous or radiant flux (brightness). LEDs are shipped in reels containing LEDs from a single bin and labeled with the corresponding bin code. XLamp LED packaging details are provided in product data sheets.

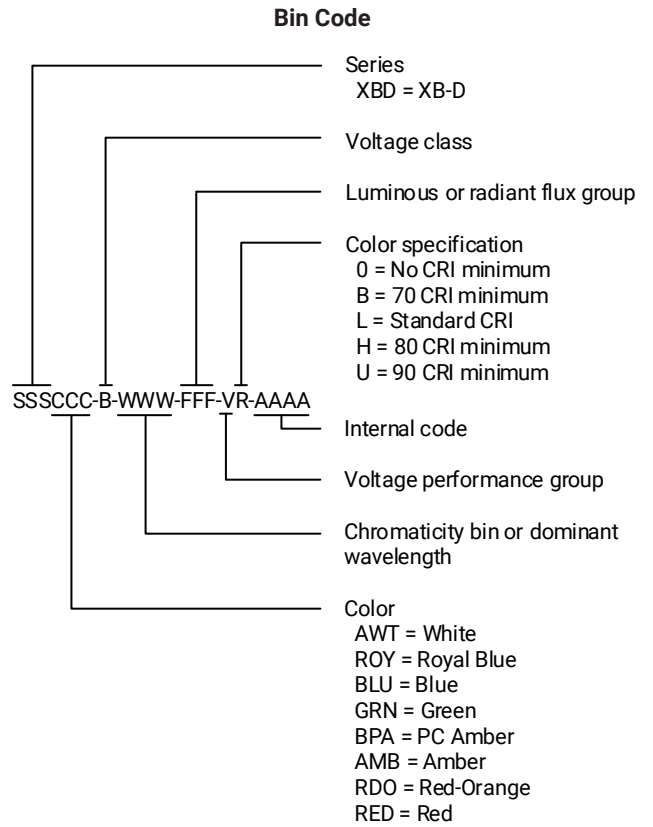
Kits contain LEDs from a number of similar bins and are fully defined by their order codes. A full explanation of the order codes for XLamp XB family LEDs, as well as a list of standard order codes, is provided in this document.

BIN AND ORDER CODE FORMATS

Bin codes and order codes for XB-D LEDs are configured in the following manner:



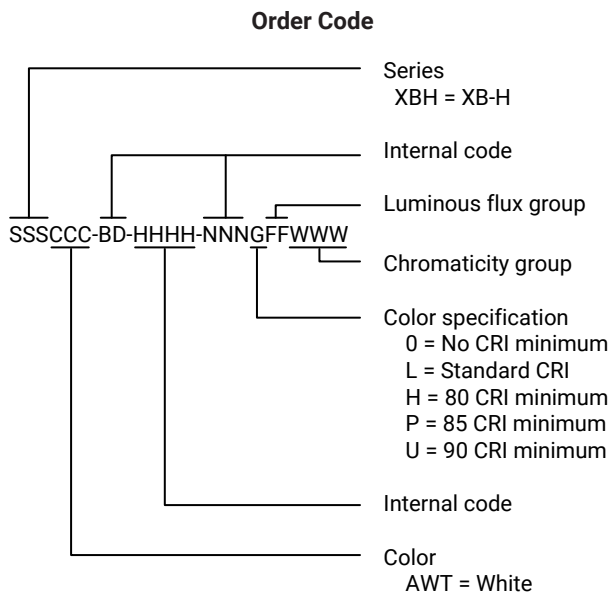
Example Order Code: XBDAWT-00-0000-0000HAE7



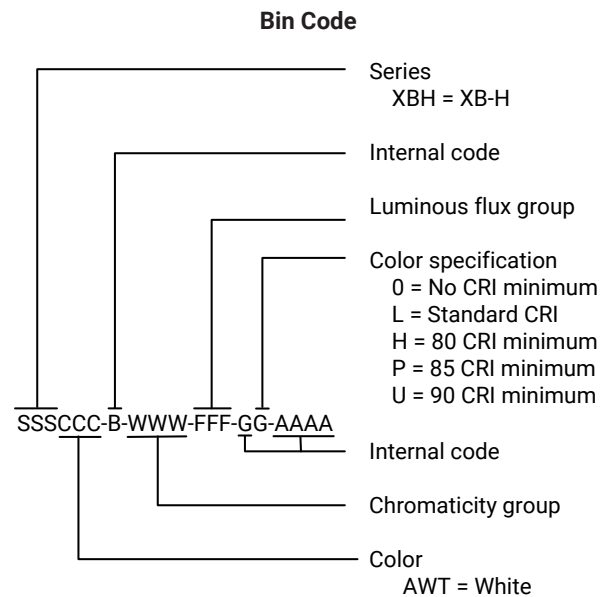
Example Bin Code: XBDAWT-0-7A3-Q20-0H-0001

BIN AND ORDER CODE FORMATS - CONTINUED

Bin codes and order codes for XB-H LEDs are configured in the following manner:



Example Order Code: XBHAWT-00-0000-000HT20E7



Example Bin Code: XBHAWT-0-7A3-T20-0H-0001

PERFORMANCE GROUPS – LUMINOUS FLUX

XLamp XB-D LEDs, except royal blue, are tested for luminous flux and placed into one of the following luminous-flux groups. These groups, appended with a 0, are used in the Bin Code “Luminous or radiant flux group.”

Group Code	Minimum Luminous Flux (lm) @ 350 mA	Maximum Luminous Flux (lm) @ 350 mA
P4	80.6	87.4
Q2	87.4	93.9
Q3	93.9	100
Q4	100	107
Q5	107	114
R2	114	122
R3	122	130
R4	130	139
R5	139	148

XLamp XB-H LEDs are tested for luminous flux and placed into one of the following luminous-flux groups. These groups, appended with a 0, are used in the Bin Code “Luminous or radiant flux group.”

Group Code	Minimum Luminous Flux (lm) @ 700 mA	Maximum Luminous Flux (lm) @ 700 mA
S4	164	172
S5	172	182
S6	182	200
T2	200	220
T3	220	240
T4	240	260
T5	260	280
T6	280	300
U2	300	320

PERFORMANCE GROUPS – RADIANT FLUX

Royal blue XLamp XB-D LEDs are tested for radiant flux and sorted into one of the following radiant-flux bins.

Group	Minimum Radiant Flux (mW) @ 350 mA	Maximum Radiant Flux (mW) @ 350 mA
34	550	575
35	575	600
36	600	625
37	625	650
38	650	675
39	675	700

PERFORMANCE GROUPS – DOMINANT WAVELENGTH

Color XLamp XB-D LEDs are tested for dominant wavelength (DWL) and sorted into one of the DWL bins defined below.

Color	DWL Group	Minimum DWL (nm) @ 350 mA	Maximum DWL (nm) @ 350 mA
Royal Blue	D36	450	452.5
	D37	452.5	455
	D46	455	457.5
	D47	457.5	460
	D56	460	462.5
	D57	462.5	465
Blue	B3	465	470
	B4	470	475
	B5	475	480
	B6	480	485
Green	G2	520	525
	G3	525	530
	G4	530	535
Amber	A2	585	590
	A3	590	595
Red-Orange	O3	610	615
	O4	615	620
Red	R2	620	625
	R3	625	630

PERFORMANCE GROUPS – FORWARD VOLTAGE

Amber, red-orange, red and royal blue XLamp XB-D LEDs are tested for forward voltage and sorted into one of the forward voltage bins defined below.

Forward Voltage Group	Minimum Forward Voltage @ 350 mA	Maximum Forward Voltage @ 350 mA
B	1.75	2.0
C	2.0	2.25
D	2.25	2.5
E	2.5	2.75
F	2.75	3.0
G	3.0	3.25
H	3.25	3.5

PERFORMANCE GROUPS – CHROMATICITY

Region	x	y	Region	x	y	Region	x	y	Region	x	y
0A	0.2950	0.2970	0B	0.2920	0.3060	0C	0.2984	0.3133	0D	0.2984	0.3133
	0.2920	0.3060		0.2895	0.3135		0.2962	0.3220		0.3048	0.3207
	0.2984	0.3133		0.2962	0.3220		0.3028	0.3304		0.3068	0.3113
	0.3009	0.3042		0.2984	0.3133		0.3048	0.3207		0.3009	0.3042
0R	0.2980	0.2880	0S	0.2895	0.3135	0T	0.2962	0.3220	0U	0.3037	0.2937
	0.2950	0.2970		0.2870	0.3210		0.2937	0.3312		0.3009	0.3042
	0.3009	0.3042		0.2937	0.3312		0.3005	0.3415		0.3068	0.3113
	0.3037	0.2937		0.2962	0.3220		0.3028	0.3304		0.3093	0.2993
1A	0.3048	0.3207	1B	0.3028	0.3304	1C	0.3115	0.3391	1D	0.3130	0.3290
	0.3130	0.3290		0.3115	0.3391		0.3205	0.3481		0.3213	0.3373
	0.3144	0.3186		0.3130	0.3290		0.3213	0.3373		0.3221	0.3261
	0.3068	0.3113		0.3048	0.3207		0.3130	0.3290		0.3144	0.3186
1R	0.3068	0.3113	1S	0.3005	0.3415	1T	0.3099	0.3509	1U	0.3144	0.3186
	0.3144	0.3186		0.3099	0.3509		0.3196	0.3602		0.3221	0.3261
	0.3161	0.3059		0.3115	0.3391		0.3205	0.3481		0.3231	0.3120
	0.3093	0.2993		0.3028	0.3304		0.3115	0.3391		0.3161	0.3059
2A	0.3215	0.3350	2B	0.3207	0.3462	2C	0.3290	0.3538	2D	0.3290	0.3417
	0.3290	0.3417		0.3290	0.3538		0.3376	0.3616		0.3371	0.3490
	0.3290	0.3300		0.3290	0.3417		0.3371	0.3490		0.3366	0.3369
	0.3222	0.3243		0.3215	0.3350		0.3290	0.3417		0.3290	0.3300
2R	0.3222	0.3243	2S	0.3196	0.3602	2T	0.3290	0.3690	2U	0.3290	0.3300
	0.3290	0.3300		0.3290	0.3690		0.3381	0.3762		0.3366	0.3369
	0.3290	0.3180		0.3290	0.3538		0.3376	0.3616		0.3361	0.3245
	0.3231	0.3120		0.3207	0.3462		0.3290	0.3538		0.3290	0.3180
3A	0.3371	0.3490	3B	0.3376	0.3616	3C	0.3463	0.3687	3D	0.3451	0.3554
	0.3451	0.3554		0.3463	0.3687		0.3551	0.3760		0.3533	0.3620
	0.3440	0.3427		0.3451	0.3554		0.3533	0.3620		0.3515	0.3487
	0.3366	0.3369		0.3371	0.3490		0.3451	0.3554		0.3440	0.3427
3R	0.3366	0.3369	3S	0.3381	0.3762	3T	0.3480	0.3840	3U	0.3440	0.3428
	0.3440	0.3428		0.3480	0.3840		0.3571	0.3907		0.3515	0.3487
	0.3429	0.3307		0.3463	0.3687		0.3551	0.3760		0.3495	0.3339
	0.3361	0.3245		0.3376	0.3616		0.3463	0.3687		0.3429	0.3307
4A	0.3530	0.3597	4B	0.3548	0.3736	4C	0.3641	0.3804	4D	0.3615	0.3659
	0.3615	0.3659		0.3641	0.3804		0.3736	0.3874		0.3702	0.3722
	0.3590	0.3521		0.3615	0.3659		0.3702	0.3722		0.3670	0.3578
	0.3512	0.3465		0.3530	0.3597		0.3615	0.3659		0.3590	0.3521
4R	0.3512	0.3465	4S	0.3571	0.3907	4T	0.3668	0.3957	4U	0.3590	0.3521
	0.3590	0.3521		0.3668	0.3957		0.3771	0.4034		0.3670	0.3578
	0.3567	0.3389		0.3641	0.3804		0.3736	0.3874		0.3640	0.3440
	0.3495	0.3339		0.3548	0.3736		0.3641	0.3804		0.3567	0.3389

PERFORMANCE GROUPS – CHROMATICITY (CONTINUED)

Region	x	y	Region	x	y	Region	x	y	Region	x	y
5A1	0.3670	0.3578	5A2	0.3686	0.3649	5A3	0.3744	0.3685	5A4	0.3726	0.3612
	0.3686	0.3649		0.3702	0.3722		0.3763	0.3760		0.3744	0.3685
	0.3744	0.3685		0.3763	0.3760		0.3825	0.3798		0.3804	0.3721
	0.3726	0.3612		0.3744	0.3685		0.3804	0.3721		0.3783	0.3646
5B1	0.3702	0.3722	5B2	0.3719	0.3797	5B3	0.3782	0.3837	5B4	0.3763	0.3760
	0.3719	0.3797		0.3736	0.3874		0.3802	0.3916		0.3782	0.3837
	0.3782	0.3837		0.3802	0.3916		0.3869	0.3958		0.3847	0.3877
	0.3763	0.3760		0.3782	0.3837		0.3847	0.3877		0.3825	0.3798
5C1	0.3825	0.3798	5C2	0.3847	0.3877	5C3	0.3912	0.3917	5C4	0.3887	0.3836
	0.3847	0.3877		0.3869	0.3958		0.3937	0.4001		0.3912	0.3917
	0.3912	0.3917		0.3937	0.4001		0.4006	0.4044		0.3978	0.3958
	0.3887	0.3836		0.3912	0.3917		0.3978	0.3958		0.3950	0.3875
5D1	0.3783	0.3646	5D2	0.3804	0.3721	5D3	0.3863	0.3758	5D4	0.3840	0.3681
	0.3804	0.3721		0.3825	0.3798		0.3887	0.3836		0.3863	0.3758
	0.3863	0.3758		0.3887	0.3836		0.3950	0.3875		0.3924	0.3794
	0.3840	0.3681		0.3863	0.3758		0.3924	0.3794		0.3898	0.3716
5R	0.3670	0.3578	5S	0.3771	0.4034	5T	0.3916	0.4127	5U	0.3783	0.3646
	0.3783	0.3646		0.3916	0.4127		0.4064	0.4221		0.3898	0.3716
	0.3743	0.3502		0.3869	0.3958		0.4006	0.4044		0.3848	0.3565
	0.3640	0.3440		0.3736	0.3874		0.3869	0.3958		0.3743	0.3502
6A1	0.3889	0.3690	6A2	0.3915	0.3768	6A3	0.3981	0.3800	6A4	0.3953	0.3720
	0.3915	0.3768		0.3941	0.3848		0.4010	0.3882		0.3981	0.3800
	0.3981	0.3800		0.4010	0.3882		0.4080	0.3916		0.4048	0.3832
	0.3953	0.3720		0.3981	0.3800		0.4048	0.3832		0.4017	0.3751
6B1	0.3941	0.3848	6B2	0.3968	0.3930	6B3	0.4040	0.3966	6B4	0.4010	0.3882
	0.3968	0.3930		0.3996	0.4015		0.4071	0.4052		0.4040	0.3966
	0.4040	0.3966		0.4071	0.4052		0.4146	0.4089		0.4113	0.4001
	0.4010	0.3882		0.4040	0.3966		0.4113	0.4001		0.4080	0.3916
6C1	0.4080	0.3916	6C2	0.4113	0.4001	6C3	0.4186	0.4037	6C4	0.4150	0.3950
	0.4113	0.4001		0.4146	0.4089		0.4222	0.4127		0.4186	0.4037
	0.4186	0.4037		0.4222	0.4127		0.4299	0.4165		0.4259	0.4073
	0.4150	0.3950		0.4186	0.4037		0.4259	0.4073		0.4221	0.3984
6D1	0.4017	0.3751	6D2	0.4048	0.3832	6D3	0.4116	0.3865	6D4	0.4082	0.3782
	0.4048	0.3832		0.4080	0.3916		0.4150	0.3950		0.4116	0.3865
	0.4116	0.3865		0.4150	0.3950		0.4221	0.3984		0.4183	0.3898
	0.4082	0.3782		0.4116	0.3865		0.4183	0.3898		0.4147	0.3814
6R	0.3889	0.3690	6S	0.4054	0.4191	6T	0.4217	0.4273	6U	0.4017	0.3751
	0.4017	0.3751		0.4217	0.4273		0.4382	0.4356		0.4147	0.3814
	0.3957	0.3596		0.4146	0.4089		0.4299	0.4165		0.4077	0.3652
	0.3840	0.3540		0.3996	0.4015		0.4146	0.4089		0.3957	0.3596

PERFORMANCE GROUPS – CHROMATICITY (CONTINUED)

Region	x	y	Region	x	y	Region	x	y	Region	x	y
7A	0.4221	0.3985	7B	0.4299	0.4165	7C	0.4430	0.4212	7D	0.4342	0.4028
	0.4342	0.4028		0.4430	0.4212		0.4562	0.426		0.4465	0.4071
	0.4260	0.3853		0.4342	0.4028		0.4465	0.4071		0.4373	0.3893
	0.4147	0.3814		0.4221	0.3985		0.4342	0.4028		0.4260	0.3853
7A1	0.4147	0.3814	7A2	0.4183	0.3898	7A3	0.4242	0.3919	7A4	0.4203	0.3833
	0.4183	0.3898		0.4221	0.3984		0.4281	0.4006		0.4242	0.3919
	0.4242	0.3919		0.4281	0.4006		0.4342	0.4028		0.4300	0.3939
	0.4203	0.3833		0.4242	0.3919		0.4300	0.3939		0.4259	0.3853
7B1	0.4221	0.3984	7B2	0.4259	0.4073	7B3	0.4322	0.4096	7B4	0.4281	0.4006
	0.4259	0.4073		0.4299	0.4165		0.4364	0.4188		0.4322	0.4096
	0.4322	0.4096		0.4364	0.4188		0.4430	0.4212		0.4385	0.4119
	0.4281	0.4006		0.4322	0.4096		0.4385	0.4119		0.4342	0.4028
7C1	0.4342	0.4028	7C2	0.4385	0.4119	7C3	0.4449	0.4141	7C4	0.4403	0.4049
	0.4385	0.4119		0.4430	0.4212		0.4496	0.4236		0.4449	0.4141
	0.4449	0.4141		0.4496	0.4236		0.4562	0.4260		0.4513	0.4164
	0.4403	0.4049		0.4449	0.4141		0.4513	0.4164		0.4465	0.4071
7D1	0.4259	0.3853	7D2	0.4300	0.3939	7D3	0.4359	0.3960	7D4	0.4316	0.3873
	0.4300	0.3939		0.4342	0.4028		0.4403	0.4049		0.4359	0.3960
	0.4359	0.3960		0.4403	0.4049		0.4465	0.4071		0.4418	0.3981
	0.4316	0.3873		0.4359	0.3960		0.4418	0.3981		0.4373	0.3893
8A	0.4465	0.4071	8B	0.4562	0.4260	8C	0.4687	0.4289	8D	0.4582	0.4099
	0.4582	0.4099		0.4687	0.4289		0.4813	0.4319		0.4700	0.4126
	0.4483	0.3918		0.4582	0.4099		0.4700	0.4126		0.4593	0.3944
	0.4373	0.3893		0.4465	0.4071		0.4582	0.4099		0.4483	0.3918
8A1	0.4373	0.3893	8A2	0.4418	0.3981	8A3	0.4475	0.3994	8A4	0.4428	0.3906
	0.4418	0.3981		0.4465	0.4071		0.4523	0.4085		0.4475	0.3994
	0.4475	0.3994		0.4523	0.4085		0.4582	0.4099		0.4532	0.4008
	0.4428	0.3906		0.4475	0.3994		0.4532	0.4008		0.4483	0.3919
8B1	0.4465	0.4071	8B2	0.4513	0.4164	8B3	0.4573	0.4178	8B4	0.4523	0.4085
	0.4513	0.4164		0.4562	0.4260		0.4624	0.4274		0.4573	0.4178
	0.4573	0.4178		0.4624	0.4274		0.4687	0.4289		0.4634	0.4193
	0.4523	0.4085		0.4573	0.4178		0.4634	0.4193		0.4582	0.4099
8C1	0.4582	0.4099	8C2	0.4634	0.4193	8C3	0.4695	0.4207	8C4	0.4641	0.4112
	0.4634	0.4193		0.4687	0.4289		0.4750	0.4304		0.4695	0.4207
	0.4695	0.4207		0.4750	0.4304		0.4813	0.4319		0.4756	0.4221
	0.4641	0.4112		0.4695	0.4207		0.4756	0.4221		0.4700	0.4126
8D1	0.4483	0.3919	8D2	0.4532	0.4008	8D3	0.4589	0.4021	8D4	0.4538	0.3931
	0.4532	0.4008		0.4582	0.4099		0.4641	0.4112		0.4589	0.4021
	0.4589	0.4021		0.4641	0.4112		0.4700	0.4126		0.4646	0.4034
	0.4538	0.3931		0.4589	0.4021		0.4646	0.4034		0.4593	0.3944

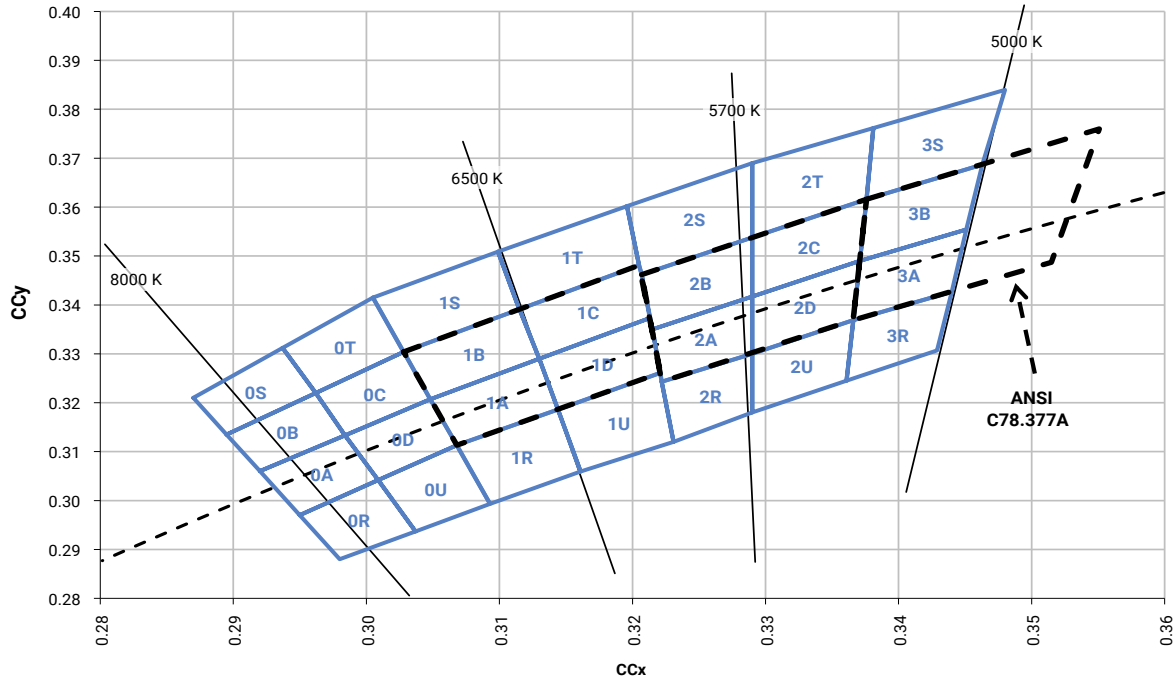
PERFORMANCE GROUPS - CHROMATICITY (CONTINUED)

XLamp XB-D PC amber LEDs are placed into the region defined by the following bounding coordinates.

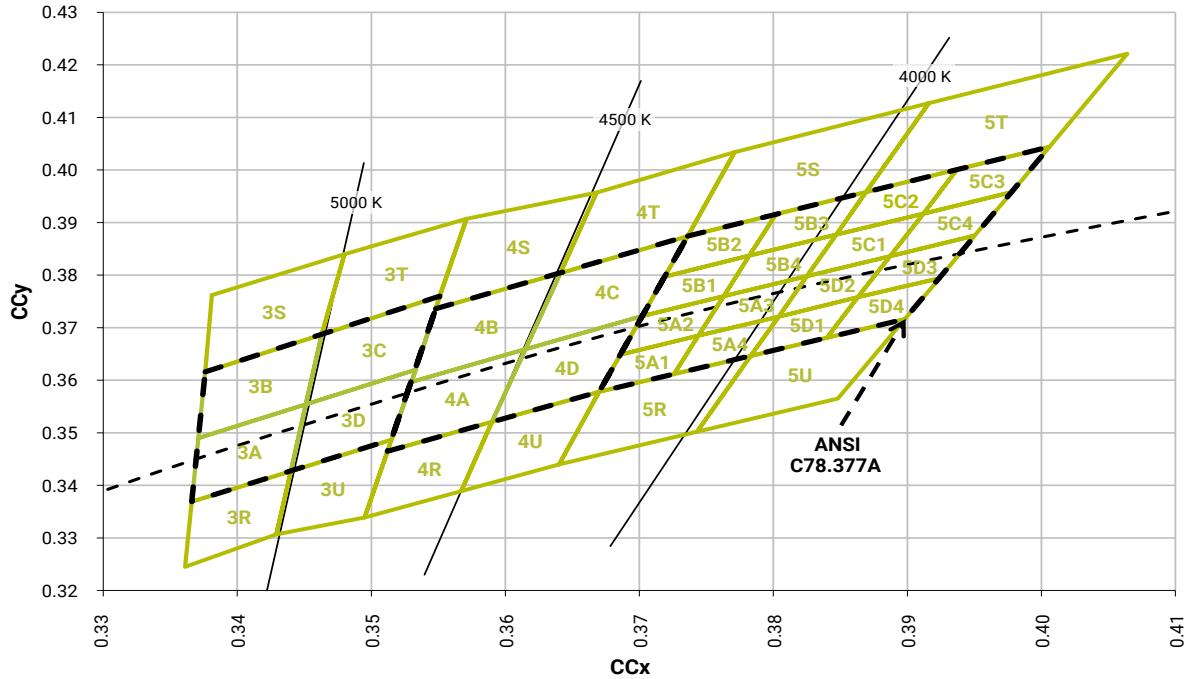
Region	x	y
Y2	0.5469	0.4249
	0.5700	0.4100
	0.5900	0.4100
	0.5610	0.4390

CREE'S STANDARD CHROMATICITY REGIONS PLOTTED ON THE 1931 CIE CURVE

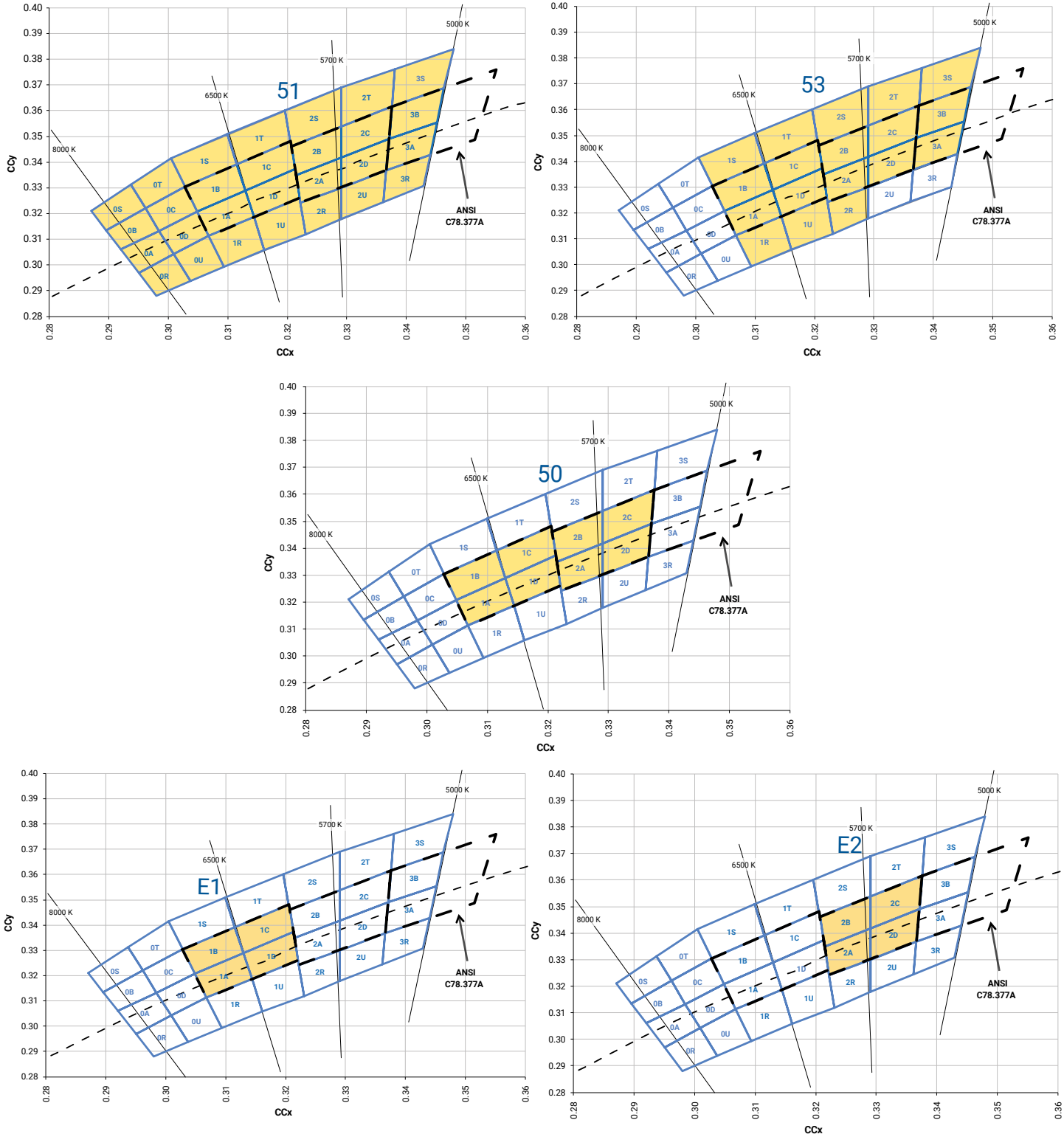
ANSI Cool White



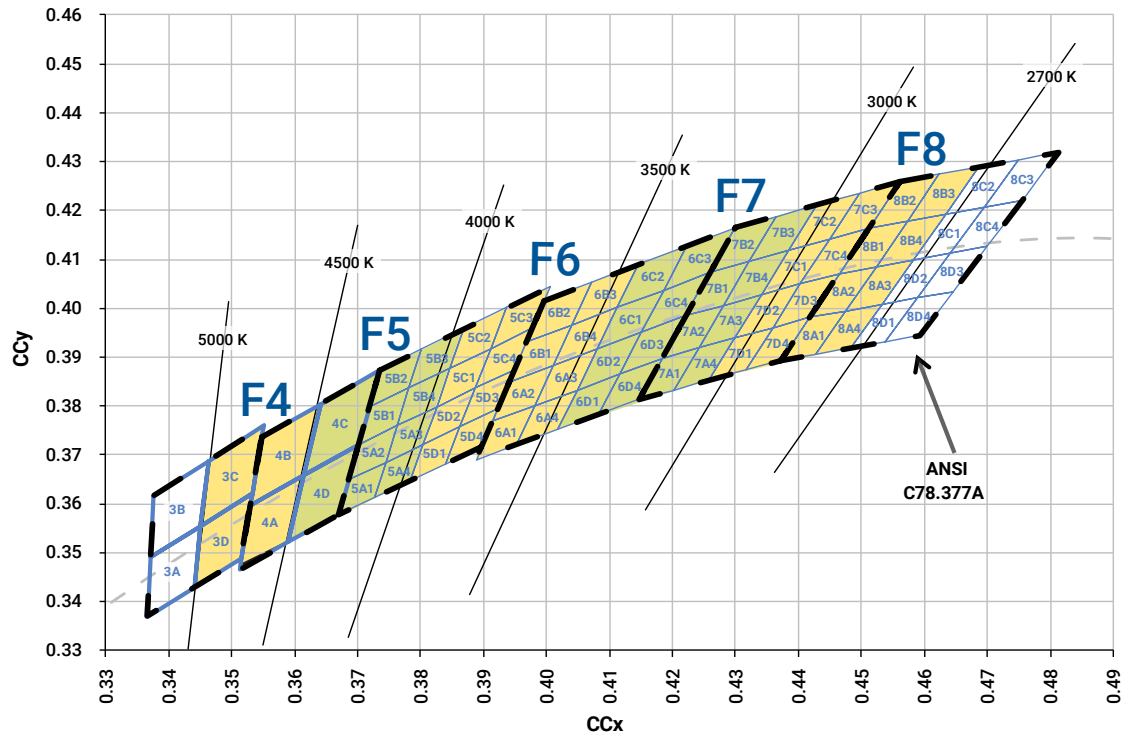
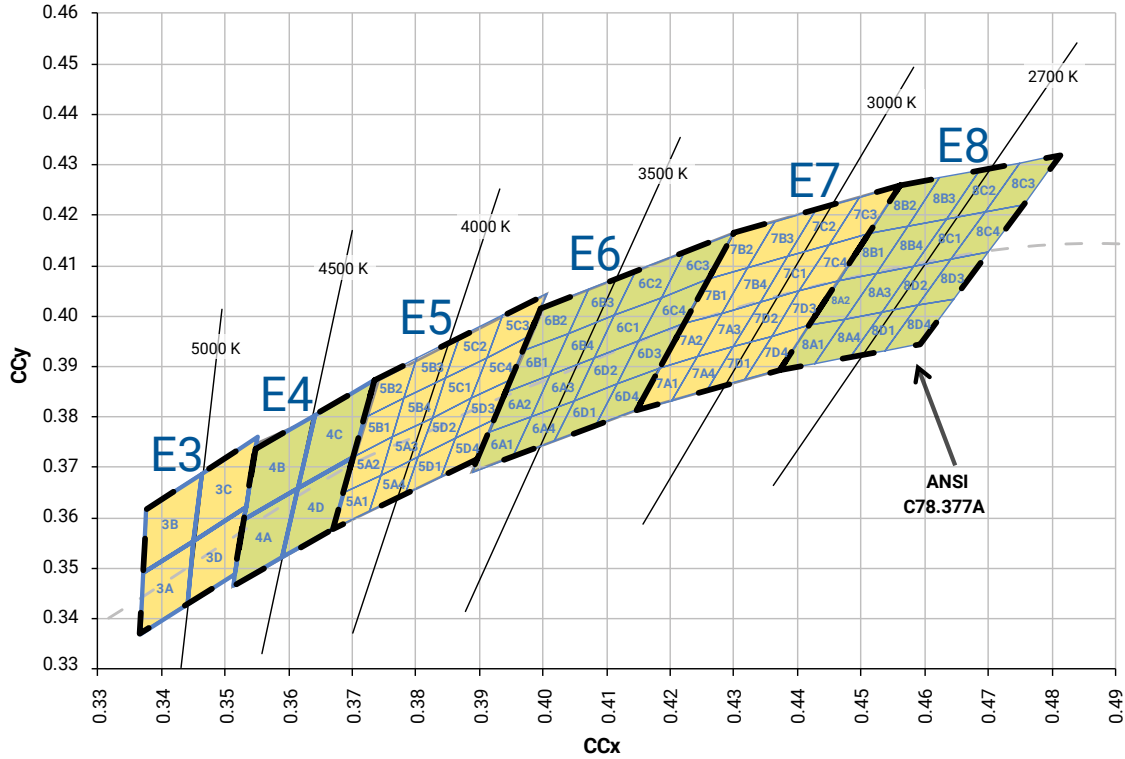
Outdoor White



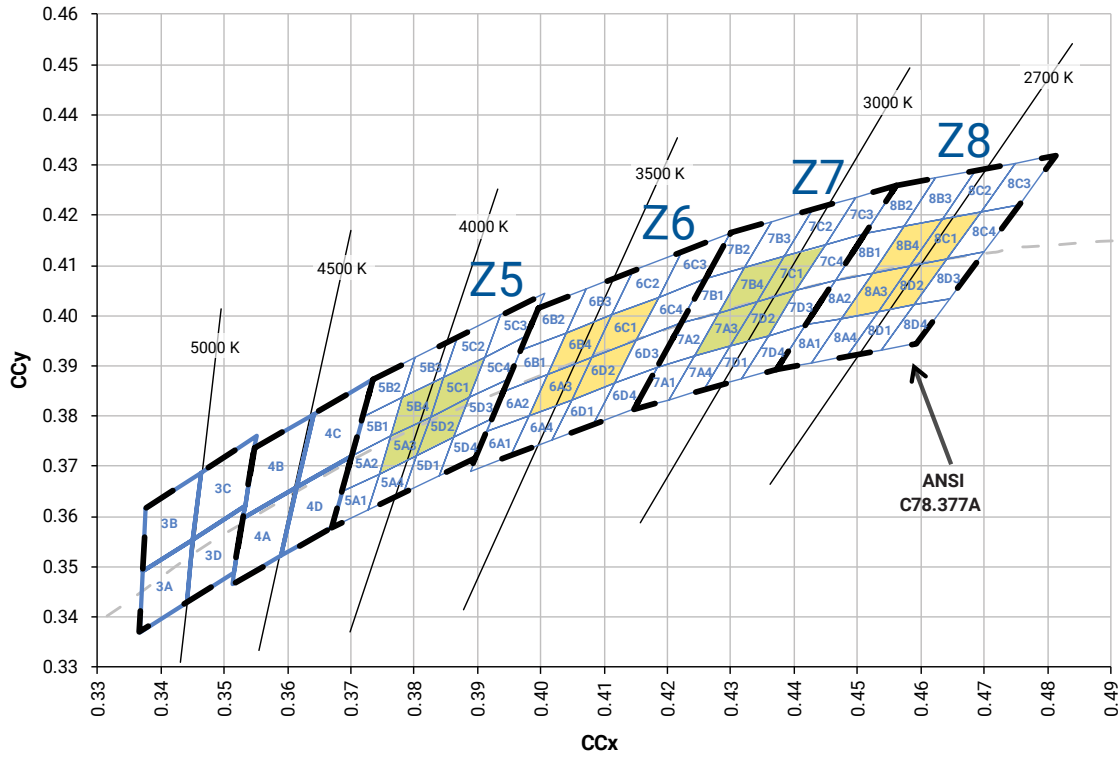
CREE'S STANDARD COOL WHITE KITS PLOTTED ON ANSI STANDARD CHROMATICITY REGIONS



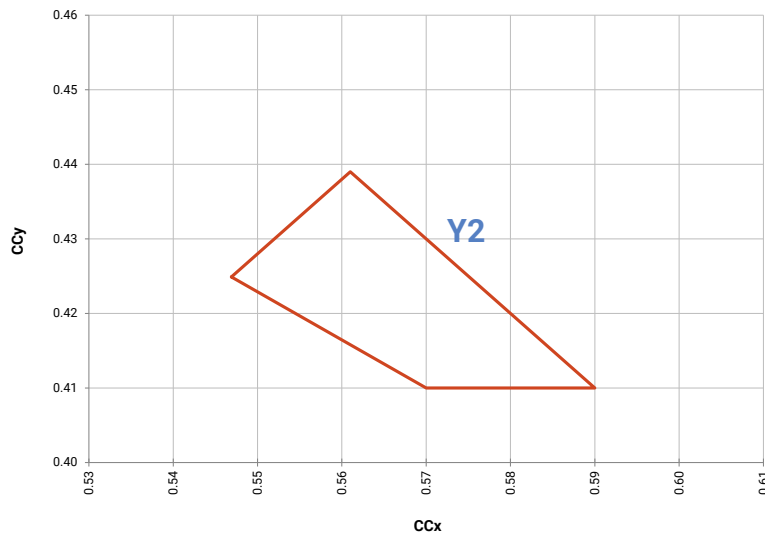
CREE'S STANDARD WARM AND NEUTRAL WHITE KITS PLOTTED ON ANSI STANDARD CHROMATICITY REGIONS



CREE'S STANDARD WARM AND NEUTRAL WHITE KITS PLOTTED ON ANSI STANDARD CHROMATICITY REGIONS - CONTINUED



CREE'S PC AMBER KIT PLOTTED ON THE 1931 CIE CURVE



CREE'S STANDARD CHROMATICITY KITS

The following table provides the chromaticity bins associated with chromaticity kits, which are specified as part of the order code.

Color	Kit	Chromaticity Bins
Cool White	51	0A, 0B, 0C, 0D, 0R, 0S, 0T, 0U, 1A, 1B, 1C, 1D, 1R, 1S, 1T, 1U, 2A, 2B, 2C, 2D, 2R, 2S, 2T, 2U, 3A, 3B, 3R, 3S
	53	1A, 1B, 1C, 1D, 1R, 1S, 1T, 1U, 2A, 2B, 2C, 2D, 2R, 2S, 2T, 3A, 3B, 3S
	50	1A, 1B, 1C, 1D, 2A, 2B, 2C, 2D
	E1	1A, 1B, 1C, 1D
	E2	2A, 2B, 2C, 2D
Neutral White	E3	3A, 3B, 3C, 3D
	F4	3C, 3D, 4A, 4B
	E4	4A, 4B, 4C, 4D
	F5	4C, 4D, 5A1, 5A2, 5A3, 5A4, 5B1, 5B2, 5B3, 5B4
	E5	5A1, 5A2, 5A3, 5A4, 5B1, 5B2, 5B3, 5B4, 5C1, 5C2, 5C3, 5C4, 5D1, 5D2, 5D3, 5D4
	Z5	5A3, 5B4, 5C1, 5D2
Warm White	F6	5C1, 5C2, 5C3, 5C4, 5D1, 5D2, 5D3, 5D4, 6A1, 6A2, 6A3, 6A4, 6B1, 6B2, 6B3, 6B4
	E6	6A1, 6A2, 6A3, 6A4, 6B1, 6B2, 6B3, 6B4, 6C1, 6C2, 6C3, 6C4, 6D1, 6D2, 6D3, 6D4
	Z6	6A3, 6B4, 6C1, 6D2
	F7	6C1, 6C2, 6C3, 6C4, 6D1, 6D2, 6D3, 6D4, 7A1, 7A2, 7A3, 7A4, 7B1, 7B2, 7B3, 7B4
	E7	7A1, 7A2, 7A3, 7A4, 7B1, 7B2, 7B3, 7B4, 7C1, 7C2, 7C3, 7C4, 7D1, 7D2, 7D3, 7D4
	Z7	7A3, 7B4, 7C1, 7D2
	F8	7C1, 7C2, 7C3, 7C4, 7D1, 7D2, 7D3, 7D4, 8A1, 8A2, 8A3, 8A4, 8B1, 8B2, 8B3, 8B4
	E8	8A1, 8A2, 8A3, 8A4, 8B1, 8B2, 8B3, 8B4, 8C1, 8C2, 8C3, 8C4, 8D1, 8D2, 8D3, 8D4
	Z8	8A3, 8B4, 8C1, 8D2

The following tables of order codes list flux minimums and chromaticity regions for the various categories of XLamp XB family LEDs. For other flux and chromaticity combinations, contact Cree or an authorized distributor.

STANDARD ORDER CODES AND BINS (XB-D ANSI COOL WHITE, $T_j = 85^\circ\text{C}$)

XLamp XB-D LED Standard Kit Codes - White						
Chromaticity		Minimum Luminous Flux (lm) @ 350 mA*		Order Codes		
Kit	CCT	Code	Flux (lm)	No CRI Minimum	70 CRI Minimum	80 CRI Mimimum
ANSI Cool White (5000 K – 8300 K)						
51	6200 K	R4	130	XBDAWT-00-0000-000000G51	XBDAWT-00-0000-00000BG51	
		R3	122	XBDAWT-00-0000-000000F51	XBDAWT-00-0000-00000BF51	XBDAWT-00-0000-00000HF51
		R2	114	XBDAWT-00-0000-000000E51	XBDAWT-00-0000-00000BE51	XBDAWT-00-0000-00000HE51
53	6000 K	R4	130	XBDAWT-00-0000-000000G53	XBDAWT-00-0000-00000BG53	
		R3	122	XBDAWT-00-0000-000000F53	XBDAWT-00-0000-00000BF53	XBDAWT-00-0000-00000HF53
		R2	114	XBDAWT-00-0000-000000E53	XBDAWT-00-0000-00000BE53	XBDAWT-00-0000-00000HE53
50	6200 K	R4	130	XBDAWT-00-0000-000000G50	XBDAWT-00-0000-00000BG50	
		R3	122	XBDAWT-00-0000-000000F50	XBDAWT-00-0000-00000BF50	XBDAWT-00-0000-00000HF50
		R2	114	XBDAWT-00-0000-000000E50	XBDAWT-00-0000-00000BE50	XBDAWT-00-0000-00000HE50
E1	6500 K	R4	130	XBDAWT-00-0000-000000GE1	XBDAWT-00-0000-00000BGE1	
		R3	122	XBDAWT-00-0000-000000FE1	XBDAWT-00-0000-00000BFE1	XBDAWT-00-0000-00000HFE1
		R2	114	XBDAWT-00-0000-000000EE1	XBDAWT-00-0000-00000BEE1	XBDAWT-00-0000-00000HEE1
E2	5700 K	R4	130	XBDAWT-00-0000-000000GE2	XBDAWT-00-0000-00000BGE2	
		R3	122	XBDAWT-00-0000-000000FE2	XBDAWT-00-0000-00000BFE2	XBDAWT-00-0000-00000HFE2
		R2	114	XBDAWT-00-0000-000000EE2	XBDAWT-00-0000-00000BEE2	XBDAWT-00-0000-00000HEE2

* Cree XLamp XB Family LED order codes specify only a minimum flux bin and not a maximum. Cree may ship reels in flux bins higher than the minimum specified by the order code without advance notice. Shipments will always adhere to the chromaticity or DWL bin restrictions specified by the order code.

STANDARD ORDER CODES AND BINS (XB-D NEUTRAL WHITE, $T_j = 85\text{ }^\circ\text{C}$)

XLamp XB-D LED Standard Kit Codes - White							
Chromaticity		Minimum Luminous Flux (lm) @ 350 mA*		Order Codes			
Kit	CCT	Code	Flux (lm)	No CRI Minimum	70 CRI Minimum	Standard CRI	80 CRI Minimum
ANSI Neutral White (3700 K – 5000 K)							
E3	5000 K	R4	130	XBDAWT-00-0000-000000GE3	XBDAWT-00-0000-000000BGE3		
		R3	122	XBDAWT-00-0000-000000FE3	XBDAWT-00-0000-000000BFE3		XBDAWT-00-0000-000000HFE3
		R2	114	XBDAWT-00-0000-000000EE3	XBDAWT-00-0000-000000BEE3	XBDAWT-00-0000-000000LEE3	XBDAWT-00-0000-000000HEE3
		Q5	107			XBDAWT-00-0000-000000LDE3	
		Q4	100			XBDAWT-00-0000-000000LCE3	
F4	4750 K	R4	130	XBDAWT-00-0000-000000GF4	XBDAWT-00-0000-000000BGF4		
		R3	122	XBDAWT-00-0000-000000FF4	XBDAWT-00-0000-000000BFF4		XBDAWT-00-0000-000000HFF4
		R2	114			XBDAWT-00-0000-000000LEF4	XBDAWT-00-0000-000000HEF4
		Q5	107			XBDAWT-00-0000-000000LDF4	XBDAWT-00-0000-000000HDF4
		Q4	100			XBDAWT-00-0000-000000LCF4	
E4	4500 K	R4	130	XBDAWT-00-0000-000000GE4	XBDAWT-00-0000-000000BGE4		
		R3	122	XBDAWT-00-0000-000000FE4	XBDAWT-00-0000-000000BFE4		XBDAWT-00-0000-000000HFE4
		R2	114				XBDAWT-00-0000-000000HEE4
		Q5	107			XBDAWT-00-0000-000000LDE4	XBDAWT-00-0000-000000HDE4
		Q4	100			XBDAWT-00-0000-000000LCE4	
F5	4250 K	R3	122	XBDAWT-00-0000-000000FF5	XBDAWT-00-0000-000000BFF5		
		R2	114	XBDAWT-00-0000-000000EF5	XBDAWT-00-0000-000000BEF5		XBDAWT-00-0000-000000HEF5
		Q5	107			XBDAWT-00-0000-000000LDF5	XBDAWT-00-0000-000000HDF5
		Q4	100			XBDAWT-00-0000-000000LCF5	
		Q3	93.9			XBDAWT-00-0000-000000LBF5	
E5	4000 K	R3	122	XBDAWT-00-0000-000000FE5	XBDAWT-00-0000-000000BFE5		
		R2	114	XBDAWT-00-0000-000000EE5	XBDAWT-00-0000-000000BEE5		XBDAWT-00-0000-000000HEE5
		Q5	107			XBDAWT-00-0000-000000LDE5	XBDAWT-00-0000-000000HDE5
		Q4	100			XBDAWT-00-0000-000000LCE5	
		Q3	93.9			XBDAWT-00-0000-000000LBE5	

- Typical (Standard) CRI for Neutral White, 3700 K - 5000 K CCT is 75.

* Cree XLamp XB Family LED order codes specify only a minimum flux bin and not a maximum. Cree may ship reels in flux bins higher than the minimum specified by the order code without advance notice. Shipments will always adhere to the chromaticity or DWL bin restrictions specified by the order code.

STANDARD ORDER CODES AND BINS (XB-D WARM WHITE, T_j = 85 °C)

XLamp XB-D LED Standard Kit Codes - White								
Chromaticity		Minimum Luminous Flux (lm) @ 350 mA*		Order Codes				
Kit	CCT	Code	Flux (lm)	No CRI Minimum	70 CRI Minimum	Standard CRI	80 CRI Minimum	90 CRI Minimum
ANSI Warm White (2700 K - 3750 K)								
F6	3750 K	R3	122	XBDAWT-00-0000-00000FF6	XBDAWT-00-0000-00000BFF6			
		R2	114	XBDAWT-00-0000-00000EF6	XBDAWT-00-0000-00000BEF6		XBDAWT-00-0000-00000HEF6	
		Q5	107	XBDAWT-00-0000-00000DF6	XBDAWT-00-0000-00000BDF6	XBDAWT-00-0000-00000LDF6	XBDAWT-00-0000-00000HDF6	
		Q4	100			XBDAWT-00-0000-00000LCF6		
		Q3	93.9			XBDAWT-00-0000-00000LBF6		
E6	3500 K	R3	122	XBDAWT-00-0000-00000FE6	XBDAWT-00-0000-00000BEF6			
		R2	114	XBDAWT-00-0000-00000EE6	XBDAWT-00-0000-00000BEE6		XBDAWT-00-0000-00000HEE6	
		Q5	107	XBDAWT-00-0000-00000DE6	XBDAWT-00-0000-00000BDE6	XBDAWT-00-0000-00000LDE6	XBDAWT-00-0000-00000HDE6	
		Q4	100			XBDAWT-00-0000-00000LCE6		
		Q3	93.9			XBDAWT-00-0000-00000LBE6		
F7	3250 K	R3	122	XBDAWT-00-0000-00000FF7	XBDAWT-00-0000-00000BFF7			
		R2	114	XBDAWT-00-0000-00000EF7	XBDAWT-00-0000-00000BEF7		XBDAWT-00-0000-00000HEF7	
		Q5	107	XBDAWT-00-0000-00000DF7	XBDAWT-00-0000-00000BDF7		XBDAWT-00-0000-00000HDF7	
		Q4	100			XBDAWT-00-0000-00000LCF7		
		Q3	93.9			XBDAWT-00-0000-00000LBF7		
		Q2	87.4			XBDAWT-00-0000-00000LAF7		

* Cree XLamp XB Family LED order codes specify only a minimum flux bin and not a maximum. Cree may ship reels in flux bins higher than the minimum specified by the order code without advance notice. Shipments will always adhere to the chromaticity or DWL bin restrictions specified by the order code.

STANDARD ORDER CODES AND BINS (XB-D WARM WHITE, T_j = 85 °C) - CONTINUED

XLamp XB-D LED Standard Kit Codes - White								
Chromaticity		Minimum Luminous Flux (lm) @ 350 mA*		Order Codes				
Kit	CCT	Code	Flux (lm)	No CRI Minimum	70 CRI Minimum	Standard CRI	80 CRI Minimum	90 CRI Minimum
ANSI Warm White (2700 K - 3750 K)								
E7	3000 K	R3	122	XBDAWT-00-0000-00000FE7	XBDAWT-00-0000-00000BFE7			
		R2	114	XBDAWT-00-0000-00000EE7	XBDAWT-00-0000-00000BEE7		XBDAWT-00-0000-00000HEE7	
		Q5	107	XBDAWT-00-0000-00000DE7	XBDAWT-00-0000-00000BDE7		XBDAWT-00-0000-00000HDE7	
		Q4	100			XBDAWT-00-0000-00000LCE7		
		Q3	93.9			XBDAWT-00-0000-00000LBE7		
		Q2	87.4			XBDAWT-00-0000-00000LAE7		XBDAWT-00-0000-00000UAE7
		P4	80.6					XBDAWT-00-0000-00000U9E7
F8	2850 K	R2	114	XBDAWT-00-0000-00000EF8	XBDAWT-00-0000-00000BEF8			
		Q5	107	XBDAWT-00-0000-00000DF8	XBDAWT-00-0000-00000BDF8		XBDAWT-00-0000-00000HDF8	
		Q4	100	XBDAWT-00-0000-00000CF8	XBDAWT-00-0000-00000BCF8		XBDAWT-00-0000-00000HCF8	
		Q3	93.9			XBDAWT-00-0000-00000LBF8		
		Q2	87.4			XBDAWT-00-0000-00000LAF8		XBDAWT-00-0000-00000UAF8
		P4	80.6			XBDAWT-00-0000-00000L9F8		XBDAWT-00-0000-00000U9F8

* Cree XLamp XB Family LED order codes specify only a minimum flux bin and not a maximum. Cree may ship reels in flux bins higher than the minimum specified by the order code without advance notice. Shipments will always adhere to the chromaticity or DWL bin restrictions specified by the order code.

STANDARD ORDER CODES AND BINS (XB-D WARM WHITE, $T_j = 85\text{ }^\circ\text{C}$) - CONTINUED

XLamp XB-D LED Standard Kit Codes - White								
Chromaticity		Minimum Luminous Flux (lm) @ 350 mA*		Order Codes				
Kit	CCT	Code	Flux (lm)	No CRI Minimum	70 CRI Minimum	Standard CRI	80 CRI Minimum	90 CRI Minimum
ANSI Warm White (2700 K - 3750 K)								
E8	2700 K	R2	114	XBDAWT-00-0000-00000EE8	XBDAWT-00-0000-00000BEE8			
		Q5	107	XBDAWT-00-0000-00000DE8	XBDAWT-00-0000-00000BDE8		XBDAWT-00-0000-00000HDE8	
		Q4	100	XBDAWT-00-0000-00000CE8	XBDAWT-00-0000-00000BCE8		XBDAWT-00-0000-00000HCE8	
		Q3	93.9			XBDAWT-00-0000-00000LBE8		
		Q2	87.4			XBDAWT-00-0000-00000LAE8		XBDAWT-00-0000-00000UAE8
		P4	80.6			XBDAWT-00-0000-00000L9E8		XBDAWT-00-0000-00000U9E8

- Typical (Standard) CRI for Warm White, 2600 K - 3700 K CCT is 80.

* Cree XLamp XB Family LED order codes specify only a minimum flux bin and not a maximum. Cree may ship reels in flux bins higher than the minimum specified by the order code without advance notice. Shipments will always adhere to the chromaticity or DWL bin restrictions specified by the order code.

STANDARD ORDER CODES AND BINS (XB-D COLOR, $T_j = 25\text{ }^\circ\text{C}$)

XLamp XB-D LED Standard Kit Codes - Royal Blue				
Royal Blue		Minimum Radiant Flux (mW) @ 350 mA*		Order Codes
Kit	Dominant Wavelength (nm)	Code	Flux (mW)	
01	450 - 465	38	650	XBDROY-00-0000-000000S01
		37	625	XBDROY-00-0000-000000R01
		36	600	XBDROY-00-0000-000000Q01
		35	575	XBDROY-00-0000-000000P01
		34	550	XBDROY-00-0000-000000N01
02	450 - 460	38	650	XBDROY-00-0000-000000S02
		37	625	XBDROY-00-0000-000000R02
		36	600	XBDROY-00-0000-000000Q02
		35	575	XBDROY-00-0000-000000P02
		34	550	XBDROY-00-0000-000000N02
03	455 - 465	37	625	XBDROY-00-0000-000000R03
		36	600	XBDROY-00-0000-000000Q03
		35	575	XBDROY-00-0000-000000P03
		34	550	XBDROY-00-0000-000000N03
04	450 - 455	38	650	XBDROY-00-0000-000000S04
		37	625	XBDROY-00-0000-000000R04
		36	600	XBDROY-00-0000-000000Q04
		35	575	XBDROY-00-0000-000000P04
05	455 - 460	37	625	XBDROY-00-0000-000000R05
		36	600	XBDROY-00-0000-000000Q05
		35	575	XBDROY-00-0000-000000P05
		34	550	XBDROY-00-0000-000000N05
06	460 - 465	37	625	XBDROY-00-0000-000000R06
		36	600	XBDROY-00-0000-000000Q06
		35	575	XBDROY-00-0000-000000P06
07	452.5 - 457.5	38	650	XBDROY-00-0000-000000S07
		37	625	XBDROY-00-0000-000000R07
		36	600	XBDROY-00-0000-000000Q07
08	457.5 - 462.5	37	625	XBDROY-00-0000-000000R08
		36	600	XBDROY-00-0000-000000Q08
		35	575	XBDROY-00-0000-000000P08
09	452.5 - 462.5	38	650	XBDROY-00-0000-000000S07
		37	625	XBDROY-00-0000-000000R07
		36	600	XBDROY-00-0000-000000Q07

* Cree XLamp XB Family LED order codes specify only a minimum flux bin and not a maximum. Cree may ship reels in flux bins higher than the minimum specified by the order code without advance notice. Shipments will always adhere to the chromaticity or DWL bin restrictions specified by the order code.

STANDARD ORDER CODES AND BINS (XB-D COLOR, T_j = 25 °C) - CONTINUED

XLamp XB-D LED Standard Kit Codes - Blue				
Blue		Minimum Luminous Flux (lm) @ 350 mA*		Order Codes
Kit	Dominant Wavelength (nm)	Code	Flux (lm)	
01	465 - 485	M2	39.8	XBDBLU-00-0000-000000201
		K3	35.2	XBDBLU-00-0000-000000Z01
		K2	30.6	XBDBLU-00-0000-000000Y01
02	465 - 480	M2	39.8	XBDBLU-00-0000-000000202
		K3	35.2	XBDBLU-00-0000-000000Z02
		K2	30.6	XBDBLU-00-0000-000000Y02
05	470 - 480	M2	39.8	XBDBLU-00-0000-000000205
		K3	35.2	XBDBLU-00-0000-000000Z05
		K2	30.6	XBDBLU-00-0000-000000Y05

XLamp XB-D LED Standard Kit Codes - Green				
Green		Minimum Luminous Flux (lm) @ 350 mA*		Order Codes
Kit	Dominant Wavelength (nm)	Code	Flux (lm)	
01	520 - 535	R2	114	XBDGRN-00-0000-000000E01
		Q5	107	XBDGRN-00-0000-000000D01
		Q4	100	XBDGRN-00-0000-000000C01
		Q3	93.9	XBDGRN-00-0000-000000B01
		Q2	87.4	XBDGRN-00-0000-000000A01
02	520 - 530	R2	114	XBDGRN-00-0000-000000E02
		Q5	107	XBDGRN-00-0000-000000D02
		Q4	100	XBDGRN-00-0000-000000C02
		Q3	93.9	XBDGRN-00-0000-000000B02
		Q2	87.4	XBDGRN-00-0000-000000A02
03	525 - 535	R2	114	XBDGRN-00-0000-000000E03
		Q5	107	XBDGRN-00-0000-000000D03
		Q4	100	XBDGRN-00-0000-000000C03
		Q3	93.9	XBDGRN-00-0000-000000B03
		Q2	87.4	XBDGRN-00-0000-000000A03

* Cree XLamp XB Family LED order codes specify only a minimum flux bin and not a maximum. Cree may ship reels in flux bins higher than the minimum specified by the order code without advance notice. Shipments will always adhere to the chromaticity or DWL bin restrictions specified by the order code.

STANDARD ORDER CODES AND BINS (XB-D COLOR, T_j = 25 °C) - CONTINUED

XLamp XB-D LED Standard Kit Codes - PC Amber				
PC Amber		Minimum Luminous Flux (lm) @ 350 mA*		Order Codes
Kit	Color Bin	Group	Flux (lm)	
01	Y2	Q4	100	XBDBPA-00-0000-000000C01
		Q3	93.9	XBDBPA-00-0000-000000B01
		Q2	87.4	XBDBPA-00-0000-000000A01

XLamp XB-D LED Standard Kit Codes - Amber				
Amber		Minimum Luminous Flux (lm) @ 350 mA*		Order Codes
Kit	Dominant Wavelength (nm)	Code	Flux (lm)	
01	585 - 595	P4	80.6	XBDAMB-00-0000-000000901
		P3	73.9	XBDAMB-00-0000-000000801
		P2	67.2	XBDAMB-00-0000-000000701
		N4	62	XBDAMB-00-0000-000000601
		N3	56.8	XBDAMB-00-0000-000000501
03	590 - 595	P3	73.9	XBDAMB-00-0000-000000803
		P2	67.2	XBDAMB-00-0000-000000703
		N4	62	XBDAMB-00-0000-000000603
		N3	56.8	XBDAMB-00-0000-000000503

* Cree XLamp XB Family LED order codes specify only a minimum flux bin and not a maximum. Cree may ship reels in flux bins higher than the minimum specified by the order code without advance notice. Shipments will always adhere to the chromaticity or DWL bin restrictions specified by the order code.

STANDARD ORDER CODES AND BINS (XB-D COLOR, T_j = 25 °C) - CONTINUED

XLamp XB-D LED Standard Kit Codes - Red-Orange				
Red-Orange		Minimum Luminous Flux (lm) @ 350 mA*		Order Codes
Kit	Dominant Wavelength (nm)	Code	Flux (lm)	
01	610 - 620	Q5	107	XBDRDO-00-0000-000000D01
		Q4	100	XBDRDO-00-0000-000000C01
		Q3	93.9	XBDRDO-00-0000-000000B01
		Q2	87.4	XBDRDO-00-0000-000000A01
		P4	80.6	XBDRDO-00-0000-000000901
		P3	73.9	XBDRDO-00-0000-000000801
02	610 - 615	Q5	107	XBDRDO-00-0000-000000D02
		Q4	100	XBDRDO-00-0000-000000C02
		Q3	93.9	XBDRDO-00-0000-000000B02
		Q2	87.4	XBDRDO-00-0000-000000A02
		P4	80.6	XBDRDO-00-0000-000000902
		P3	73.9	XBDRDO-00-0000-000000802
03	615 - 620	Q4	100	XBDRDO-00-0000-000000C03
		Q3	93.9	XBDRDO-00-0000-000000B03
		Q2	87.4	XBDRDO-00-0000-000000A03
		P4	80.6	XBDRDO-00-0000-000000903
		P3	73.9	XBDRDO-00-0000-000000803

XLamp XB-D LED Standard Kit Codes - Red				
Red		Minimum Luminous Flux (lm) @ 350 mA*		Order Codes
Kit	Dominant Wavelength (nm)	Code	Flux (lm)	
01	620 - 630	P3	73.9	XBDRED-00-0000-000000801
		P2	67.2	XBDRED-00-0000-000000701
		N4	62	XBDRED-00-0000-000000601
		N3	56.8	XBDRED-00-0000-000000501
		N2	51.7	XBDRED-00-0000-000000401
02	620 - 625	P3	73.9	XBDRED-00-0000-000000802
		P2	67.2	XBDRED-00-0000-000000702
		N4	62	XBDRED-00-0000-000000602
		N3	56.8	XBDRED-00-0000-000000502
		N2	51.7	XBDRED-00-0000-000000402

* Cree XLamp XB Family LED order codes specify only a minimum flux bin and not a maximum. Cree may ship reels in flux bins higher than the minimum specified by the order code without advance notice. Shipments will always adhere to the chromaticity or DWL bin restrictions specified by the order code.

STANDARD ORDER CODES AND BINS (XB-H ANSI COOL WHITE, $T_j = 85^\circ\text{C}$)

XLamp XB-H LED Standard Kit Codes - White				
Chromaticity		Minimum Luminous Flux (lm) @ 700 mA*		Order Codes
Kit	CCT	Code	Flux (lm)	Standard CRI
ANSI Cool White (5000 K – 8300 K)				
51	6000 K	T6	280	XBHAWT-00-0000-000LT6051
		T5	260	XBHAWT-00-0000-000LT5051
		T4	240	XBHAWT-00-0000-000LT4051
		T3	220	XBHAWT-00-0000-000LT3051
53	5700 K	T6	280	XBHAWT-00-0000-000LT6053
		T5	260	XBHAWT-00-0000-000LT5053
		T4	240	XBHAWT-00-0000-000LT4053
		T3	220	XBHAWT-00-0000-000LT3053
50	6000 K	T6	280	XBHAWT-00-0000-000LT6050
		T5	260	XBHAWT-00-0000-000LT5050
		T4	240	XBHAWT-00-0000-000LT4050
		T3	220	XBHAWT-00-0000-000LT3050
E1	6500 K	T6	280	XBHAWT-00-0000-000LT60E1
		T5	260	XBHAWT-00-0000-000LT50E1
		T4	240	XBHAWT-00-0000-000LT40E1
		T3	220	XBHAWT-00-0000-000LT30E1
E2	5700 K	T6	280	XBHAWT-00-0000-000LT60E2
		T5	260	XBHAWT-00-0000-000LT50E2
		T4	240	XBHAWT-00-0000-000LT40E2
		T3	220	XBHAWT-00-0000-000LT30E2

* Cree XLamp XB Family LED order codes specify only a minimum flux bin and not a maximum. Cree may ship reels in flux bins higher than the minimum specified by the order code without advance notice. Shipments will always adhere to the chromaticity or DWL bin restrictions specified by the order code.

STANDARD ORDER CODES AND BINS (XB-H NEUTRAL WHITE, $T_j = 85\text{ }^\circ\text{C}$)

XLamp XB-H LED Standard Kit Codes - White						
Chromaticity		Minimum Luminous Flux (lm) @ 700 mA*		Order Codes		
Kit	CCT	Code	Flux (lm)	No CRI Minimum	Standard CRI	80 CRI Minimum
ANSI Neutral White (3700 K – 5000 K)						
E3	5000 K	T6	280	XBHAWT-00-0000-0000T60E3	XBHAWT-00-0000-000LT60E3	
		T5	260	XBHAWT-00-0000-0000T50E3	XBHAWT-00-0000-000LT50E3	
		T4	240	XBHAWT-00-0000-0000T40E3	XBHAWT-00-0000-000LT40E3	
		T3	220	XBHAWT-00-0000-0000T30E3	XBHAWT-00-0000-000LT30E3	
F4	4750 K	T6	280	XBHAWT-00-0000-0000T60F4		
		T5	260	XBHAWT-00-0000-0000T50F4	XBHAWT-00-0000-000LT50F4	
		T4	240	XBHAWT-00-0000-0000T40F4	XBHAWT-00-0000-000LT40F4	
		T3	220	XBHAWT-00-0000-0000T30F4	XBHAWT-00-0000-000LT30F4	
E4	4500 K	T6	280	XBHAWT-00-0000-0000T60E4		
		T5	260	XBHAWT-00-0000-0000T50E4	XBHAWT-00-0000-000LT50E4	
		T4	240	XBHAWT-00-0000-0000T40E4	XBHAWT-00-0000-000LT40E4	
		T3	220	XBHAWT-00-0000-0000T30E4	XBHAWT-00-0000-000LT30E4	
F5	4300 K	T6	280	XBHAWT-00-0000-0000T60F5		
		T5	260	XBHAWT-00-0000-0000T50F5	XBHAWT-00-0000-000LT50F5	
		T4	240	XBHAWT-00-0000-0000T40F5	XBHAWT-00-0000-000LT40F5	
		T3	220	XBHAWT-00-0000-0000T30F5	XBHAWT-00-0000-000LT30F5	
E5	4000 K	T6	280	XBHAWT-00-0000-0000T60E5		
		T5	260	XBHAWT-00-0000-0000T50E5	XBHAWT-00-0000-000LT50E5	
		T4	240	XBHAWT-00-0000-0000T40E5	XBHAWT-00-0000-000LT40E5	XBHAWT-00-0000-000HT40E5
		T3	220	XBHAWT-00-0000-0000T30E5	XBHAWT-00-0000-000LT30E5	XBHAWT-00-0000-000HT30E5
Z5	4000 K	T4	240		XBHAWT-00-0000-000LT40Z5	XBHAWT-00-0000-000HT40Z5
		T3	220		XBHAWT-00-0000-000LT30Z5	XBHAWT-00-0000-000HT30Z5

* Cree XLamp XB Family LED order codes specify only a minimum flux bin and not a maximum. Cree may ship reels in flux bins higher than the minimum specified by the order code without advance notice. Shipments will always adhere to the chromaticity or DWL bin restrictions specified by the order code.

STANDARD ORDER CODES AND BINS (XB-H WARM WHITE, $T_j = 85\text{ }^\circ\text{C}$)

XLamp XB-H LED Standard Kit Codes - White									
Chromaticity		Minimum Luminous Flux (lm) @ 700 mA*		Order Codes					
Kit	CCT	Code	Flux (lm)	No CRI Minimum	Standard CRI	80 CRI Minimum	85 CRI Minimum	90 CRI Minimum	
ANSI Warm White (2700 K - 3750 K)									
F6	3700 K	T5	260	XBHAWT-00-0000-0000T50F6					
		T4	240	XBHAWT-00-0000-0000T40F6	XBHAWT-00-0000-000LT40F6	XBHAWT-00-0000-000HT40F6			
		T3	220	XBHAWT-00-0000-0000T30F6	XBHAWT-00-0000-000LT30F6	XBHAWT-00-0000-000HT30F6			
		T2	200	XBHAWT-00-0000-0000T20F6	XBHAWT-00-0000-000LT20F6	XBHAWT-00-0000-000HT20F6			
E6	3500 K	T5	260	XBHAWT-00-0000-0000T50E6					
		T4	240	XBHAWT-00-0000-0000T40E6	XBHAWT-00-0000-000LT40E6	XBHAWT-00-0000-000HT40E6			
		T3	220	XBHAWT-00-0000-0000T30E6	XBHAWT-00-0000-000LT30E6	XBHAWT-00-0000-000HT30E6			
		T2	200	XBHAWT-00-0000-0000T20E6	XBHAWT-00-0000-000LT20E6	XBHAWT-00-0000-000HT20E6			
Z6	3500 K	T4	240		XBHAWT-00-0000-000LT40Z6				
		T3	220		XBHAWT-00-0000-000LT30Z6	XBHAWT-00-0000-000HT30Z6			
		T2	200		XBHAWT-00-0000-000LT20Z6	XBHAWT-00-0000-000HT20Z6			
F7	3200 K	T5	260	XBHAWT-00-0000-0000T50F7					
		T4	240	XBHAWT-00-0000-0000T40F7	XBHAWT-00-0000-000LT40F7				
		T3	220	XBHAWT-00-0000-0000T30F7	XBHAWT-00-0000-000LT30F7	XBHAWT-00-0000-000HT30F7			
		T2	200	XBHAWT-00-0000-0000T20F7	XBHAWT-00-0000-000LT20F7	XBHAWT-00-0000-000HT20F7			
E7	3000 K	T5	260	XBHAWT-00-0000-0000T50E7					
		T4	240	XBHAWT-00-0000-0000T40E7	XBHAWT-00-0000-000LT40E7				
		T3	220	XBHAWT-00-0000-0000T30E7	XBHAWT-00-0000-000LT30E7	XBHAWT-00-0000-000HT30E7			
		T2	200	XBHAWT-00-0000-0000T20E7	XBHAWT-00-0000-000LT20E7	XBHAWT-00-0000-000HT20E7	XBHAWT-00-0000-000PT20E7		
		S6	182				XBHAWT-00-0000-000PS60E7	XBHAWT-00-0000-000US60E7	
		S5	172				XBHAWT-00-0000-000PS50E7	XBHAWT-00-0000-000US50E7	
		S4	164					XBHAWT-00-0000-000US40E7	

* Cree XLamp XB Family LED order codes specify only a minimum flux bin and not a maximum. Cree may ship reels in flux bins higher than the minimum specified by the order code without advance notice. Shipments will always adhere to the chromaticity or DWL bin restrictions specified by the order code.

STANDARD ORDER CODES AND BINS (XB-H WARM WHITE, T_j = 85 °C) - CONTINUED

XLamp XB-H LED Standard Kit Codes - White								
Chromaticity		Minimum Luminous Flux (lm) @ 700 mA*		Order Codes				
Kit	CCT	Code	Flux (lm)	No CRI Minimum	Standard CRI	80 CRI Minimum	85 CRI Minimum	90 CRI Minimum
ANSI Warm White (2700 K - 3750 K)								
Z7	3000 K	T3	220		XBHAWT-00-0000-000LT30Z7	XBHAWT-00-0000-000HT30Z7		
		T2	200		XBHAWT-00-0000-000LT20Z7	XBHAWT-00-0000-000HT20Z7		
		S6	182				XBHAWT-00-0000-000PS60Z7	XBHAWT-00-0000-000US60Z7
		S5	172				XBHAWT-00-0000-000PS50Z7	XBHAWT-00-0000-000US50Z7
		S4	164					XBHAWT-00-0000-000US40Z7
F8	2850 K	T3	220		XBHAWT-00-0000-000LT30F8	XBHAWT-00-0000-000HT30F8		
		T2	200		XBHAWT-00-0000-000LT20F8	XBHAWT-00-0000-000HT20F8		
		S6	182		XBHAWT-00-0000-000LS60F8	XBHAWT-00-0000-000HS60F8	XBHAWT-00-0000-000PS60F8	XBHAWT-00-0000-000US60F8
		S5	172				XBHAWT-00-0000-000PS50F8	XBHAWT-00-0000-000US50F8
		S4	164				XBHAWT-00-0000-000PS40F8	XBHAWT-00-0000-000US40F8
E8	2700 K	T3	220		XBHAWT-00-0000-000LT30E8	XBHAWT-00-0000-000HT30E8		
		T2	200		XBHAWT-00-0000-000LT20E8	XBHAWT-00-0000-000HT20E8		
		S6	182		XBHAWT-00-0000-000LS60E8	XBHAWT-00-0000-000HS60E8	XBHAWT-00-0000-000PS60E8	XBHAWT-00-0000-000US60E8
		S5	172				XBHAWT-00-0000-000PS50E8	XBHAWT-00-0000-000US50E8
		S4	164				XBHAWT-00-0000-000PS40E8	XBHAWT-00-0000-000US40E8
Z8	2700 K	T2	200		XBHAWT-00-0000-000LT20Z8	XBHAWT-00-0000-000HT20Z8		
		S6	182		XBHAWT-00-0000-000LS60Z8	XBHAWT-00-0000-000HS60Z8	XBHAWT-00-0000-000PS60Z8	
		S5	172				XBHAWT-00-0000-000PS50Z8	XBHAWT-00-0000-000US50Z8
		S4	164				XBHAWT-00-0000-000PS40Z8	XBHAWT-00-0000-000US40Z8

* Cree XLamp XB Family LED order codes specify only a minimum flux bin and not a maximum. Cree may ship reels in flux bins higher than the minimum specified by the order code without advance notice. Shipments will always adhere to the chromaticity or DWL bin restrictions specified by the order code.